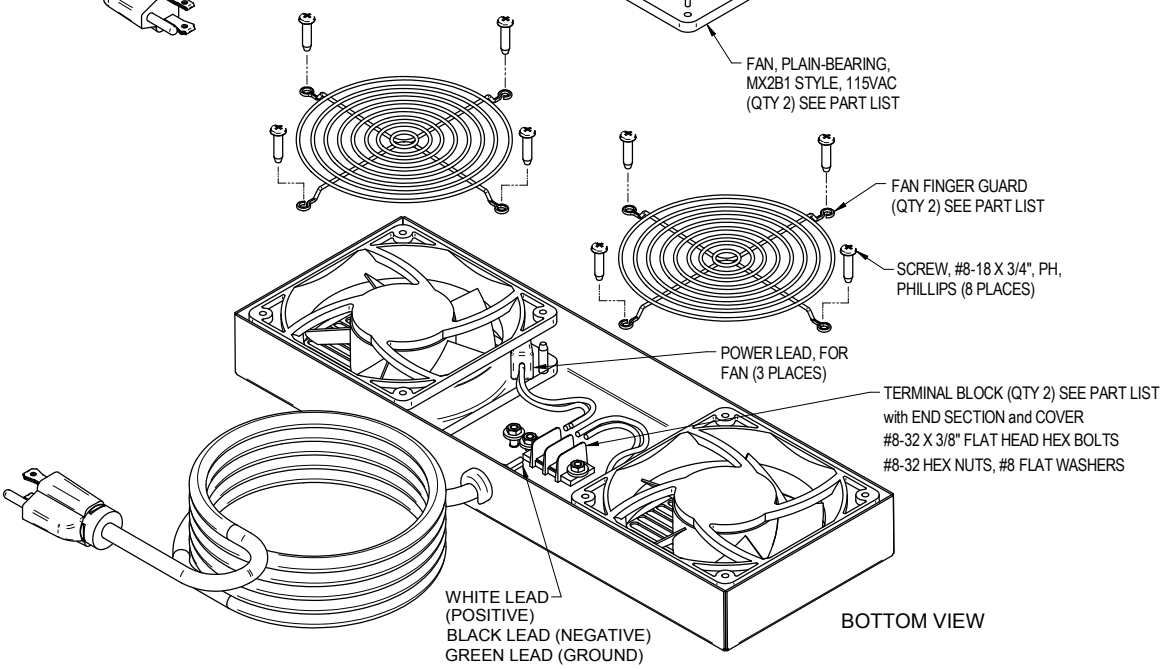
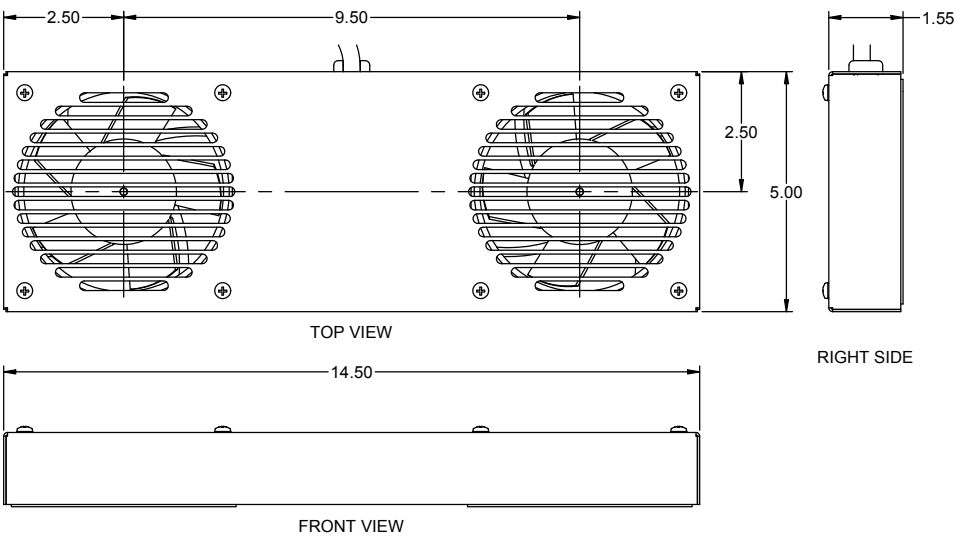
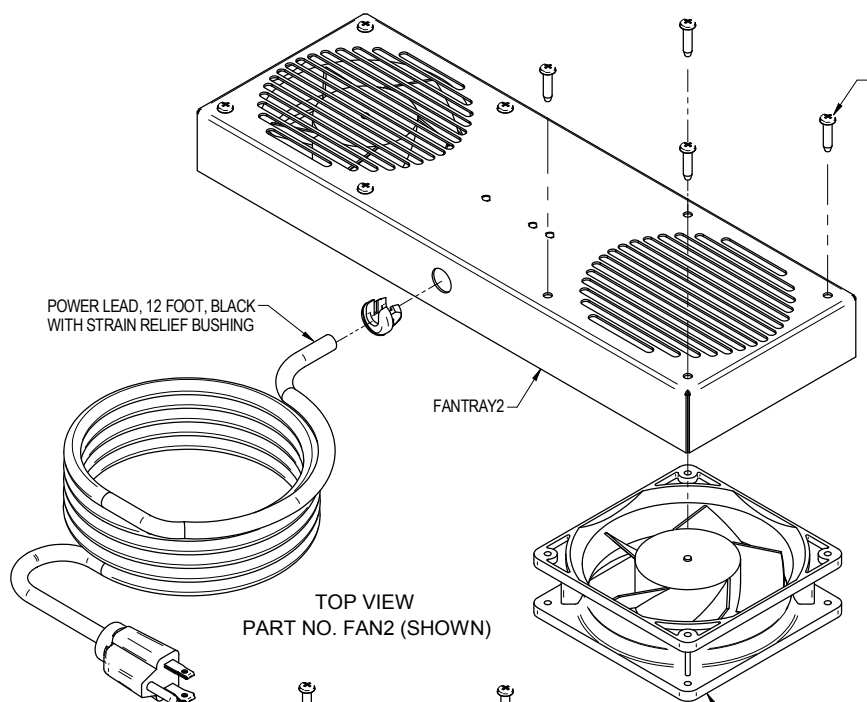


REVISION HISTORY				
REV	SHT	DESCRIPTION	DATE	CHECKED
A	ALL	RELEASE NEW	11/15/06	NEW RBS
B	-	CHGD. QTY OF STRAIN RELIEF; UPDATED TO OCC LABELING	1/21/05	- RBS
C	-	UPDATED TO SHOW FINGER GUARDS	5/1/12	- JH

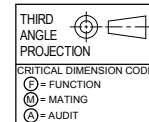


OCC PART NO.	PART LIST
EB5	1 FAN, BALL-BEARING, MUFFIN, XL, AC, 115VAC, w/1 GUARD & BLOCK
FAN1XQ	1 FAN, WHISPR, ULTRAQUIET, 115VAC, SPECIAL, w/1 GUARD & BLOCK
FAN1WC	1 FAN, BALL-BEARING, MUFFIN, XL, AC, 115VAC, w/1 GUARD & BLOCK
FAN1	1 FAN, PLAIN-BEARING, MX2B1 STYLE, 115VAC, w/1 GUARD & BLOCK
FAN2XQ	2 FANS, WHISPER, 110VAC, w/2 GUARDS & TERMINAL BLOCKS
FAN2-220	2 FANS, BALL-BEARING, MUFFIN, AC, 220VAC, w/2 GUARDS & BLOCKS
FAN2	2 FANS, PB, MX2B1 STYLE, 115VAC, w/2 GUARDS & TERMINAL BLOCKS

OCC PART NO.	DESCRIPTION
EB5	FAN ASSY, 1-TRAY, EB5, WITH CORD
FAN1XQ	FAN ASSY, 1-TRAY, WHISPER QUIET, W/CORD
FAN1WC	FAN ASSY, 1-TRAY, WALL CABINET, W/CORD
FAN1	FAN ASSY, 1-TRAY, WITH CORD
FAN2XQ	FAN ASSY, 2-TRAY, WHISPER QUIET, W/CORD
FAN2-220	FAN ASSY, 2-TRAY, 220VAC, NO CORD
FAN2	FAN ASSY, 2-TRAY, WITH CORD

NOTES: UNLESS OTHERWISE SPECIFIED.  
1. DIMENSIONS ARE IN ENGLISH MEASUREMENTS.

**UNCONTROLLED COPY**



UNLESS OTHERWISE SPECIFIED DIMENSIONS ARE IN INCHES  
 TOLERANCES: FRACTIONS: ±1/32" ANGLES: ±1° 3 PLACE DECIMALS ±.005" 2 PLACE DECIMALS ±.01"

MATERIAL SEE BILL OF MATERIAL

FINISH SEE BILL OF MATERIAL

DRAWN	D.A.HOLBERT	DATE	11/21/05
CHECKED	R.B.SMITH	DATE	8/31/07
ENGINEER	J.YANIK	DATE	11/21/05
APPROVED	J.HOWE	DATE	5/1/12

PREVIOUS DWG: \_\_\_\_\_ NEXT DWG: \_\_\_\_\_

FILENAME: C300149C.dft SCALE: NONE SHEET 1 OF 1

DWG TITLE: CUSTOMER DRAWING, FAN ASSEMBLY, 2-TRAY, W/CORD

DWG NO. **C300149** REV C

33 Superior Way Swannanoa, NC 28778 Phone: 828-298-2260 Fax: 828-298-2487 www.occfiber.com