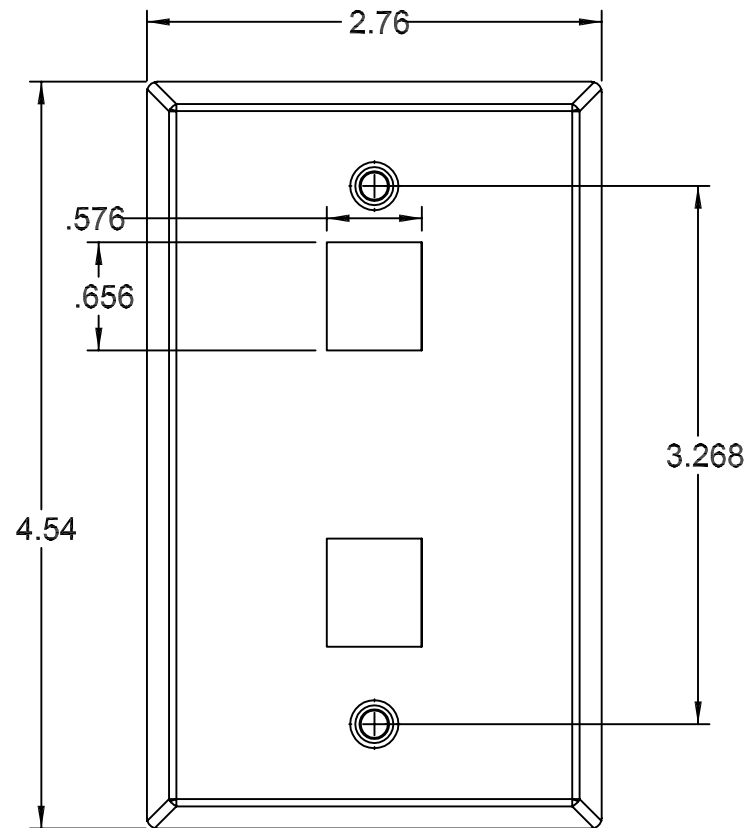
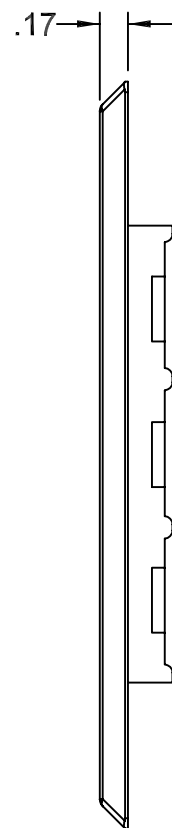


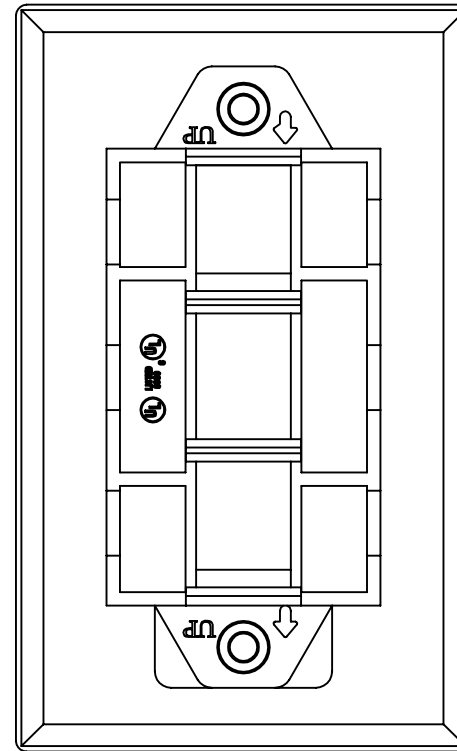
| REVISION HISTORY | | | | | |
|------------------|-----|----------------------------|---------|-----|---------|
| REV | SHT | DESCRIPTION | DATE | ECN | CHECKED |
| A | ALL | RELEASE NEW | 1/25/05 | NEW | JS |
| B | - | ADDED: ISOMETRIC DWG VIEWS | 5/16/05 | NEW | DAH |



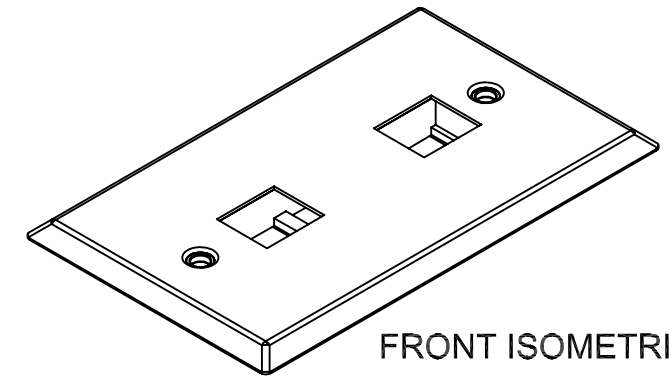
FRONT VIEW



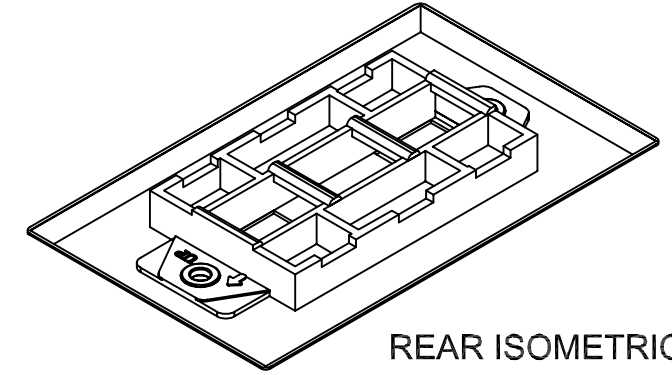
RIGHT SIDE



REAR VIEW



FRONT ISOMETRIC



REAR ISOMETRIC

NOTES: UNLESS OTHERWISE SPECIFIED.

1. FACEPLATE ASSEMBLIES ARE PROVIDED WITH (1 each) HARDWARE KIT.

| | |
|--------------|--|
| FPSK02SS | FACEPLATE ASSY, SG, FM, KMJ X 2 MTG, STAINLESS STEEL, COMMERCIAL |
| OCC PART NO. | DESCRIPTION |

UNCONTROLLED COPY
 UNLESS OTHERWISE SPECIFIED DIMENSIONS ARE IN INCHES.
 TOLERANCES: FRACTIONS ±1/32"
 ANGLES ±1/2°
 3 PLACE DECIMALS ±.005"
 2 PLACE DECIMALS ±.01"

33 Superior Way
 Swannanoa, NC 28778
 Phone: 828-298-2260
 Fax: 828-298-2487
 www.occfiber.com

THIRD ANGLE PROJECTION

CRITICAL DIMENSION CODE
 (F) = FUNCTION
 (M) = MATING
 (A) = AUDIT

| | |
|----------|---|
| MATERIAL | SEE BILL OF MATERIAL |
| FINISH | SEE NOTES; FOR COLOR SEE OCC SPEC# 100004 |

| | | | |
|--------------|------------|------|---------|
| DRAWN | E.WETLI | DATE | 1/25/05 |
| CHECKED | J.SHERRILL | DATE | 5/16/06 |
| ENGINEER | J.YANIK | DATE | 1/25/05 |
| APPROVED | J.HOWE | DATE | 5/16/06 |
| PREVIOUS DWG | | | |
| NEXT DWG | | | |

| | | | |
|---|--------------|-------|--------|
| DWG TITLE | | | |
| CUSTOMER DRAWING, FACEPLATE ASSY, SNG GANG, STN. STEEL, FM, KMJ X 2 MTG | | | |
| SIZE | DWG NO. | REV | |
| B | C107142 | B | |
| SCALE: | NONE | SHEET | 1 OF 1 |
| FILENAME | C107142B.DFT | | |