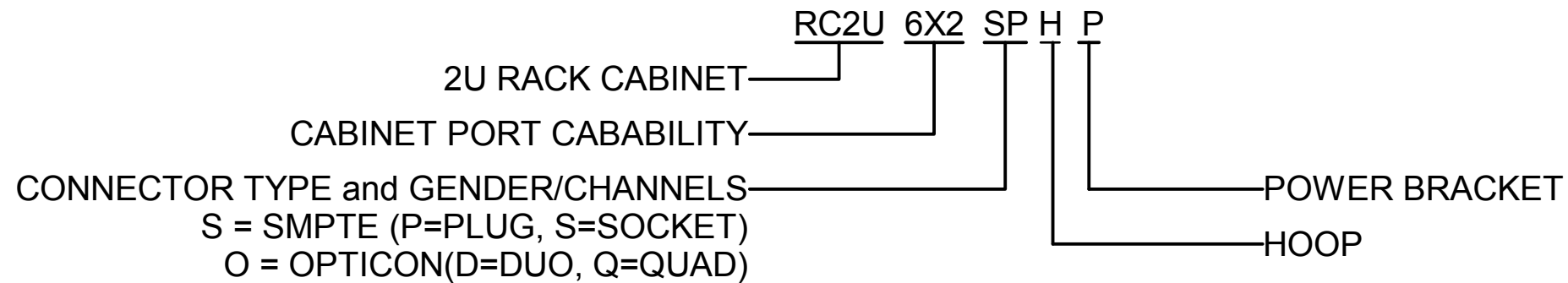
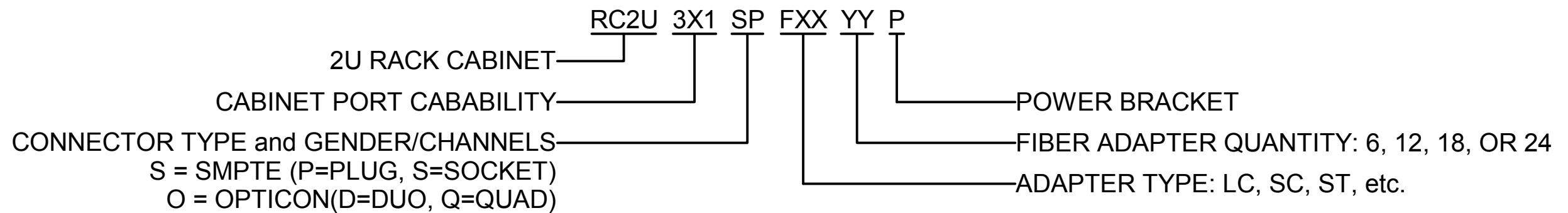


PART NUMBER CONFIGURATION

SPLICING OPTION



FIBER ADAPTER OPTION



UNLESS OTHERWISE SPECIFIED
DIMENSIONS ARE IN INCHES.
TOLERANCES: FRACTIONS ±1/32"
 ANGLES ±1/2°
 3 PLACE DECIMALS ±.005"
 2 PLACE DECIMALS ±.01"

THIS DRAWING AND THE DESIGN SHOWN ARE THE
PROPERTY OF OPTICAL CABLE CORPORATION AND
MAY NOT BE USED AS THE BASIS FOR MANUFACTURE
OR SALE WITHOUT SPECIFIC WRITTEN PERMISSION
OF OPTICAL CABLE CORPORATION.



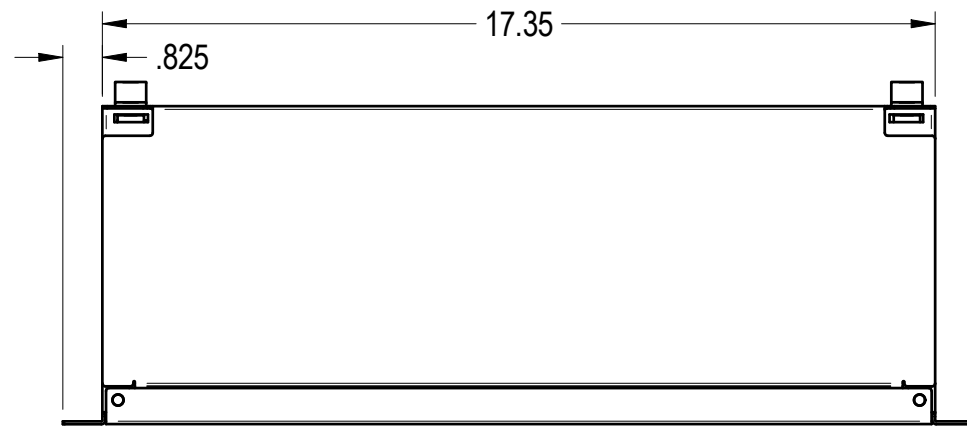
33 Superior Way
Swannanoa, NC 28778
Phone: 828-298-2260
Fax: 828-298-2487
www.occfiber.com

THIRD ANGLE PROJECTION	
CRITICAL DIMENSION CODE	(F) = FUNCTION (M) = MATING (A) = AUDIT

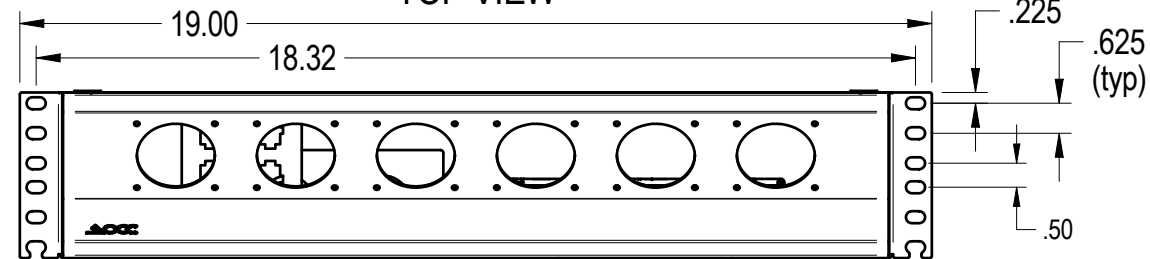
MATERIAL	
FINISH	

DRAWN	D.A.HOLBERT	DATE	11/07/16
CHECKED	J.HOWE	DATE	1/24/17
ENGINEER	J.YANIK	DATE	11/07/16
APPROVED	D.INGLE	DATE	1/24/17
PREVIOUS DWG			
NEXT DWG		FILENAME	

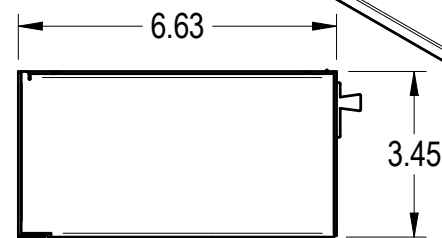
DWG TITLE			BREAKOUT ENCLOSURE, BROADCAST ASSY, 6 to 2 & 3 to 1		
SIZE	DWG NO.	REV			
B	C112648				
SCALE:	NONE	SHEET	1 OF 2		



TOP VIEW



FRONT VIEW

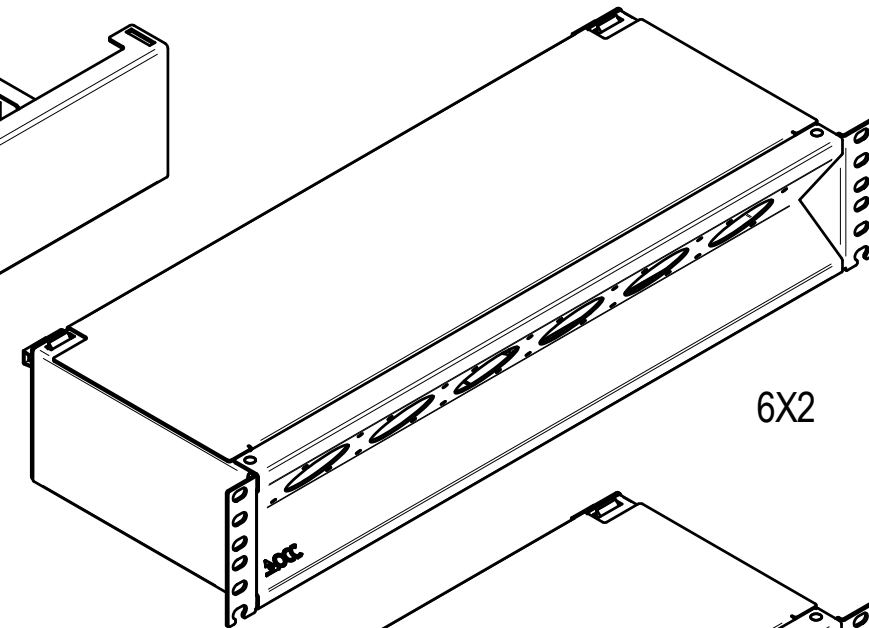


RIGHT SIDE

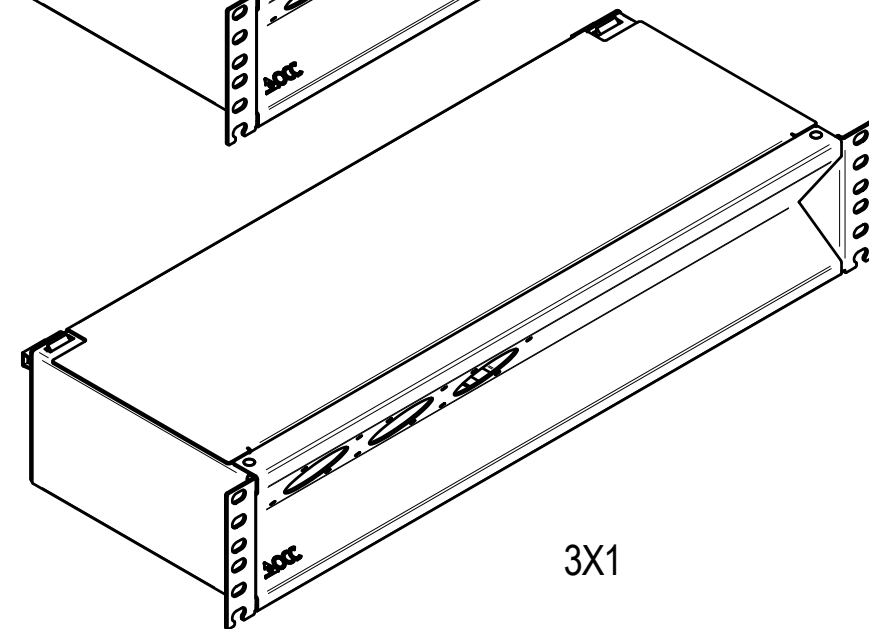
3X1, FIBER ADAPTER
VERSION SHOWN
COVER REMOVED

"OPTICAL CABLE CORPORATION (OCC)
RESERVES THE RIGHT TO REVISE ANY
AND ALL DESIGN SPECIFICATIONS."

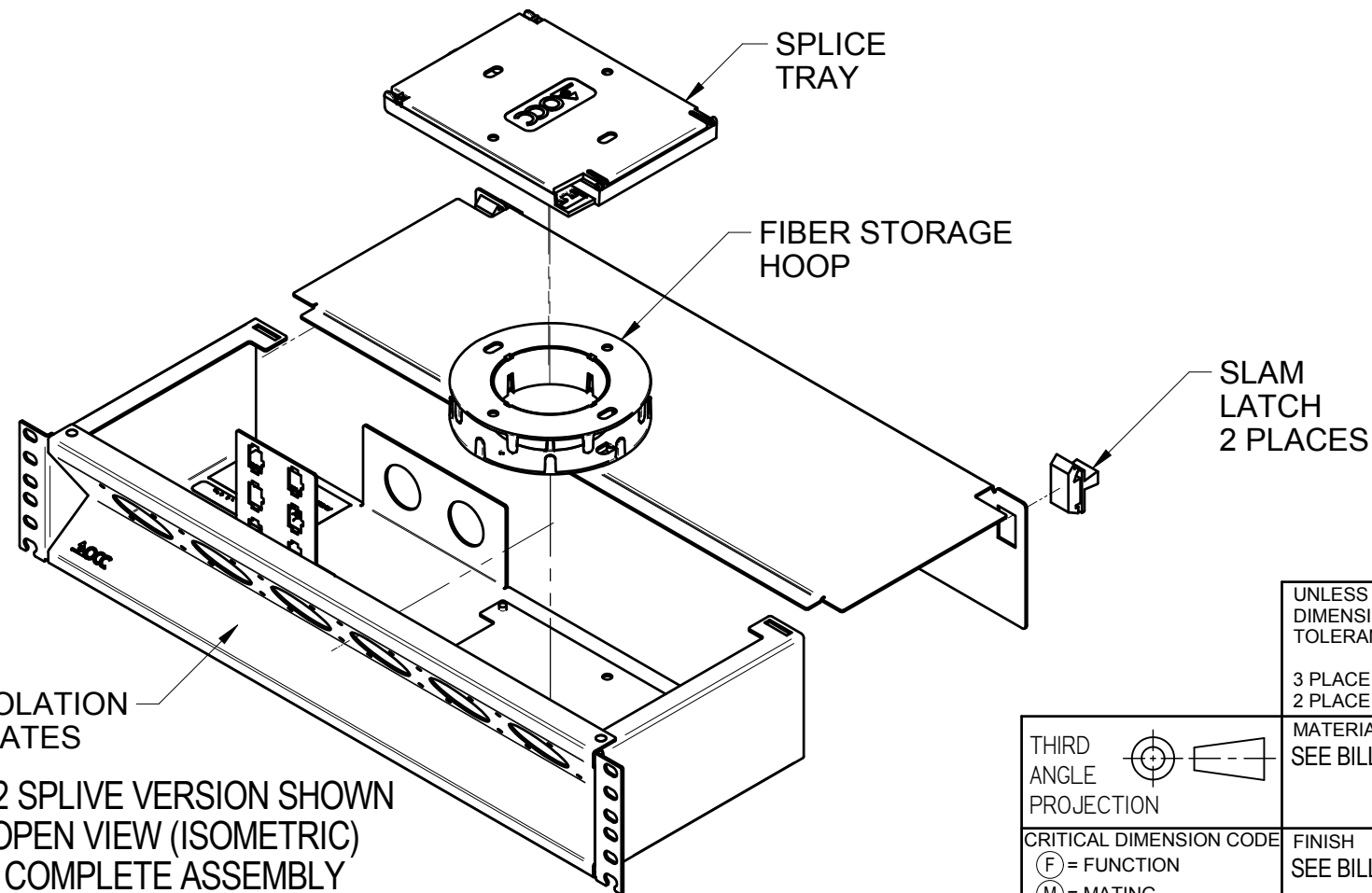
UNCONTROLLED COPY



6X2



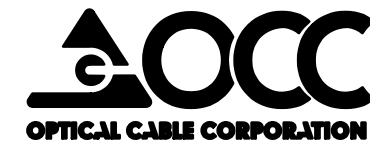
3X1



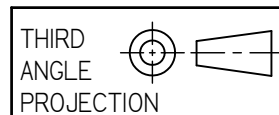
ISOLATION
PLATES
6X2 SPLIVE VERSION SHOWN
OPEN VIEW (ISOMETRIC)
COMPLETE ASSEMBLY
SPLICE VERSION

UNLESS OTHERWISE SPECIFIED
DIMENSIONS ARE IN INCHES.
TOLERANCES: FRACTIONS $\pm 1/32$ "
ANGLES $\pm 1/2^\circ$
3 PLACE DECIMALS $\pm .005$ "
2 PLACE DECIMALS $\pm .01$ "

THIS DRAWING AND THE DESIGN SHOWN ARE THE
PROPERTY OF OPTICAL CABLE CORPORATION AND
MAY NOT BE USED AS THE BASIS FOR MANUFACTURE
OR SALE WITHOUT SPECIFIC WRITTEN PERMISSION
OF OPTICAL CABLE CORPORATION.



33 Superior Way
Swannanoa, NC 28778
Phone: 828-298-2260
Fax: 828-298-2487
www.occfiber.com



CRITICAL DIMENSION CODE
(F) = FUNCTION
(M) = MATING
(A) = AUDIT

MATERIAL
SEE BILL OF MATERIAL

FINISH
SEE BILL OF MATERIAL

DRAWN	D.A.HOLBERT	DATE	11/07/16
CHECKED	J.HOWE	DATE	1/24/17
ENGINEER	J.YANIK	DATE	11/07/16
APPROVED	D.INGLE	DATE	1/24/17
PREVIOUS DWG			
NEXT DWG		FILENAME	C112648X1.dft

DWG TITLE			BREAKOUT ENCLOSURE, BROADCAST ASSY, 6 to 2 & 3 to 1	
SIZE	DWG NO.	REV		
B	C112648	X1		
SCALE:	NONE	SHEET	2 OF 2	