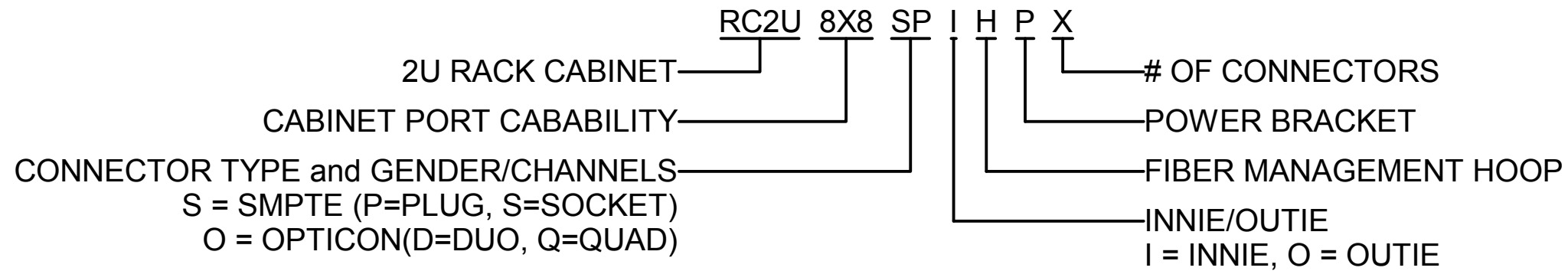
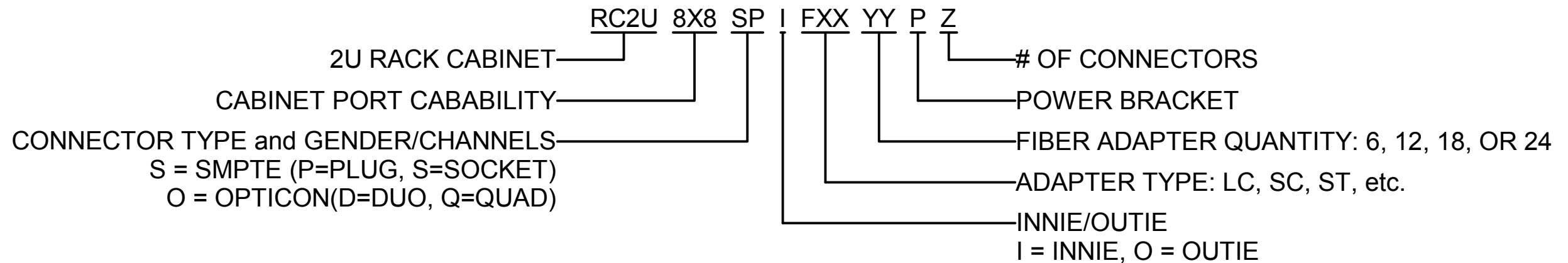


# PART NUMBER CONFIGURATION

## SPLICING OPTION

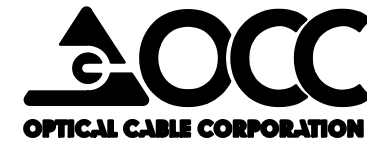


## FIBER ADAPTER OPTION



UNLESS OTHERWISE SPECIFIED  
DIMENSIONS ARE IN INCHES.  
TOLERANCES: FRACTIONS ±1/32"  
                  ANGLES ±1/2°  
                  3 PLACE DECIMALS ±.005"  
                  2 PLACE DECIMALS ±.01"

THIS DRAWING AND THE DESIGN SHOWN ARE THE  
PROPERTY OF OPTICAL CABLE CORPORATION AND  
MAY NOT BE USED AS THE BASIS FOR MANUFACTURE  
OR SALE WITHOUT SPECIFIC WRITTEN PERMISSION  
OF OPTICAL CABLE CORPORATION.



33 Superior Way  
Swannanoa, NC 28778  
Phone: 828-298-2260  
Fax: 828-298-2487  
www.occfiber.com

THIRD ANGLE PROJECTION

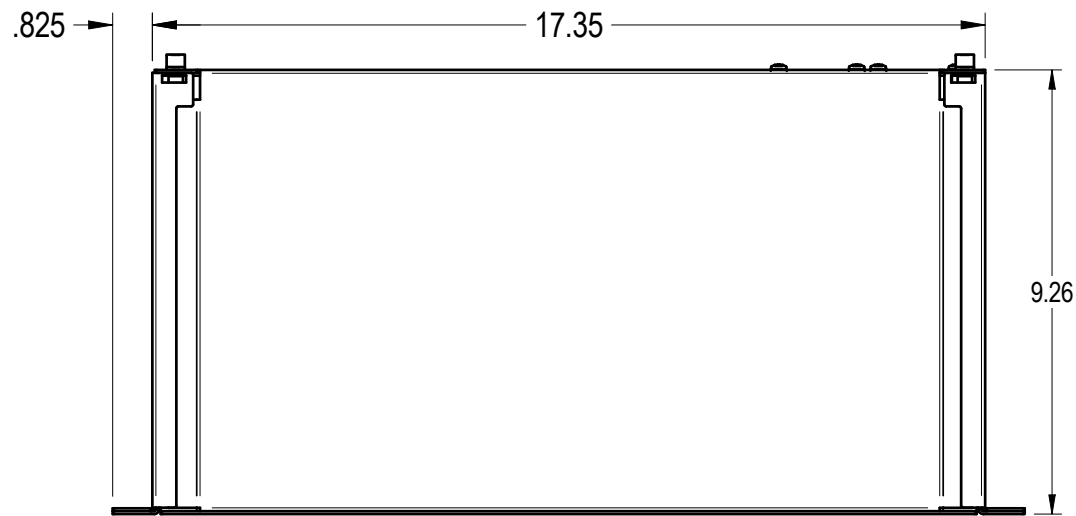
MATERIAL  
SEE BILL OF MATERIAL

CRITICAL DIMENSION CODE  
ⓕ = FUNCTION  
Ⓜ = MATING  
Ⓐ = AUDIT

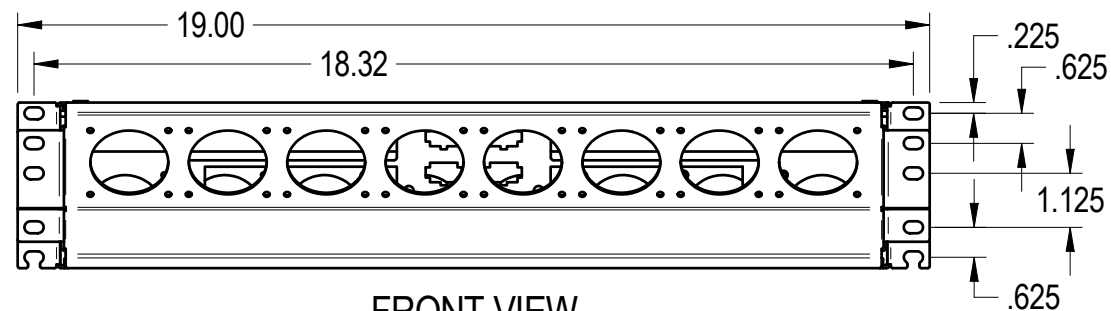
FINISH  
SEE BILL OF MATERIAL

DRAWN	D.A.HOLBERT	DATE	11/10/16
CHECKED	J.HOWE	DATE	1/24/17
ENGINEER	J.YANIK	DATE	11/10/16
APPROVED	D.INGLE	DATE	1/24/17
PREVIOUS DWG			
NEXT DWG		FILENAME	C112656X1.dft

DWG TITLE		BREAKOUT ENCLOSURE, BROADCAST ASSY, 8 to 8	
SIZE	DWG NO.	REV	
B	<b>C112656</b>	X1	
SCALE:	NONE	SHEET	1 OF 2



TOP VIEW

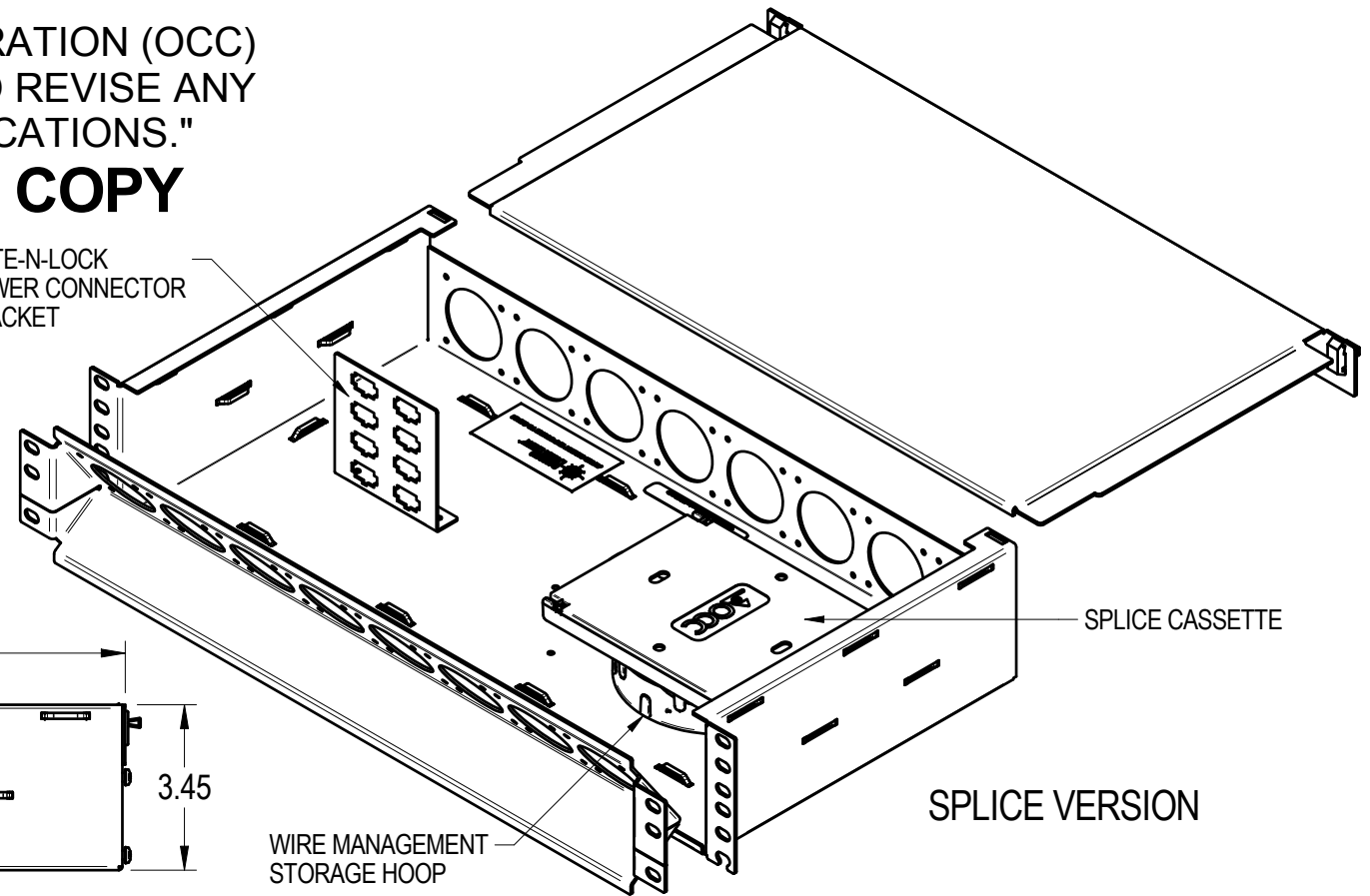


FRONT VIEW

"OPTICAL CABLE CORPORATION (OCC)  
RESERVES THE RIGHT TO REVISE ANY  
AND ALL DESIGN SPECIFICATIONS."

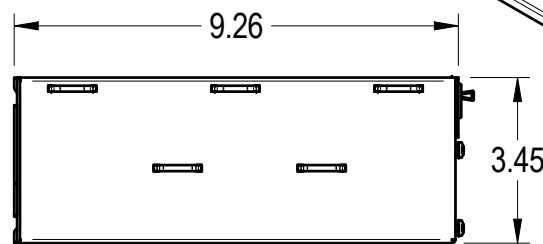
**UNCONTROLLED COPY**

MATE-N-LOCK  
POWER CONNECTOR  
BRACKET

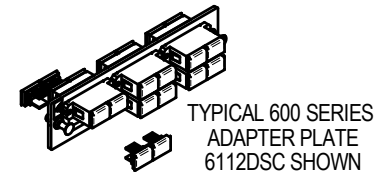


SPLICE CASSETTE

SPLICE VERSION



WIRE MANAGEMENT  
STORAGE HOOP



TYPICAL 600 SERIES  
ADAPTER PLATE  
6112DSC SHOWN

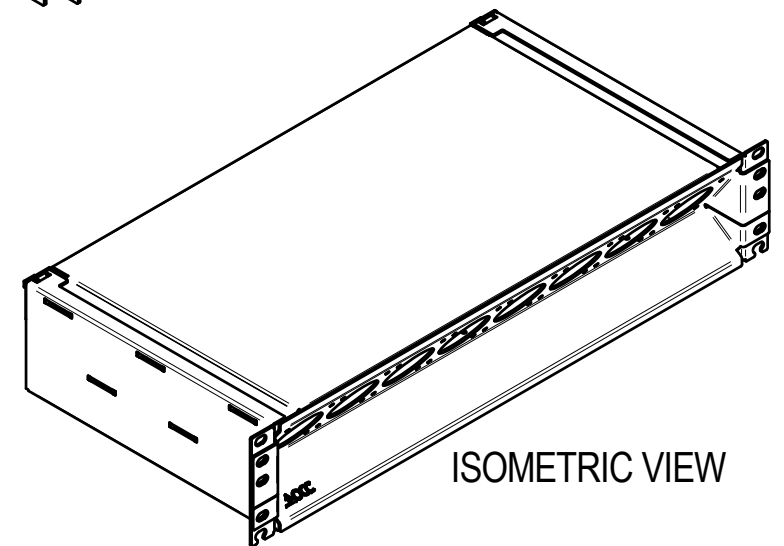
ADAPTER PLATE  
BULKHEAD  
COMPATIBLE  
WITH ANY  
OCC 600  
SERIES  
ADAPTER PLATE

OPEN VIEW (ISOMETRIC)  
COMPLETED ASSEMBLY  
FIBER ADAPTER VERSION

ISOLATION PLATE OPTIONS



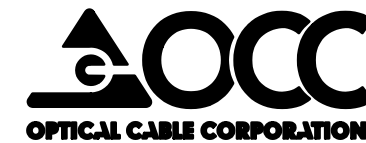
SLAM  
LATCH  
2 PLACES



ISOMETRIC VIEW

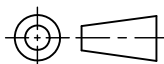
UNLESS OTHERWISE SPECIFIED  
DIMENSIONS ARE IN INCHES.  
TOLERANCES: FRACTIONS  $\pm 1/32$ "  
ANGLES  $\pm 1/2^\circ$   
3 PLACE DECIMALS  $\pm .005$ "  
2 PLACE DECIMALS  $\pm .01$ "

THIS DRAWING AND THE DESIGN SHOWN ARE THE  
PROPERTY OF OPTICAL CABLE CORPORATION AND  
MAY NOT BE USED AS THE BASIS FOR MANUFACTURE  
OR SALE WITHOUT SPECIFIC WRITTEN PERMISSION  
OF OPTICAL CABLE CORPORATION.



33 Superior Way  
Swannanoa, NC 28778  
Phone: 828-298-2260  
Fax: 828-298-2487  
www.occfiber.com

THIRD  
ANGLE  
PROJECTION



CRITICAL DIMENSION CODE  
(F) = FUNCTION  
(M) = MATING  
(A) = AUDIT

MATERIAL  
SEE BILL OF MATERIAL

FINISH  
SEE BILL OF MATERIAL

DRAWN	D.A.HOLBERT	DATE	11/10/16
CHECKED	J.HOWE	DATE	1/24/17
ENGINEER	J.YANIK	DATE	11/10/16
APPROVED	D.INGLE	DATE	1/24/17
PREVIOUS DWG			
NEXT DWG		FILENAME	C112656X1.dft

DWG TITLE		BREAKOUT ENCLOSURE, BROADCAST ASSY, 8 to 8	
SIZE	DWG NO.	REV	
B	C112656	X1	
SCALE:	NONE	SHEET	2 OF 2