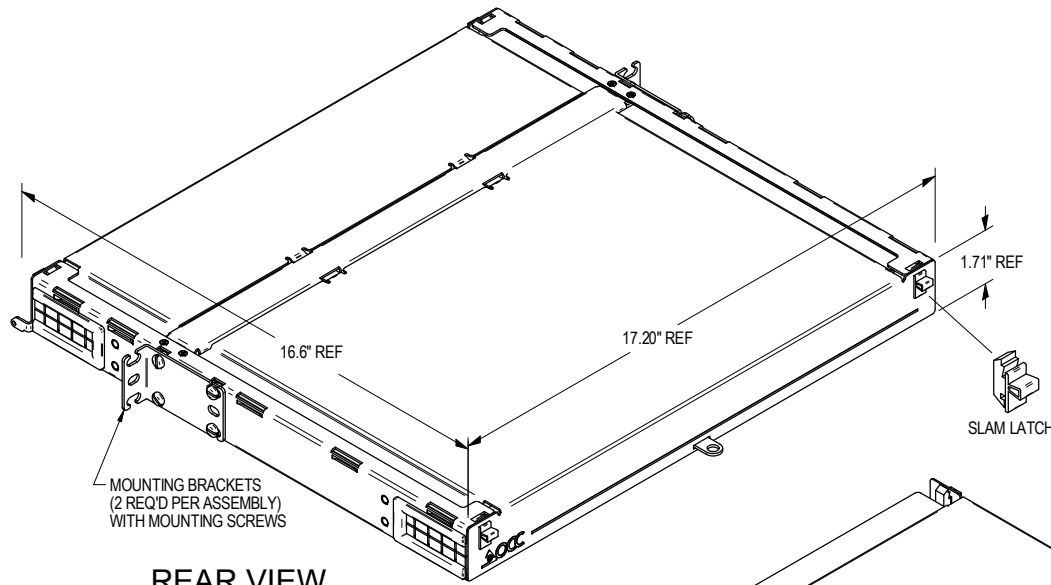


REVISION HISTORY		DATE	ECN	CHECKED
REV/SHT	DESCRIPTION			
A	ALL RELEASE NEW	1/14/14	NEW	JH

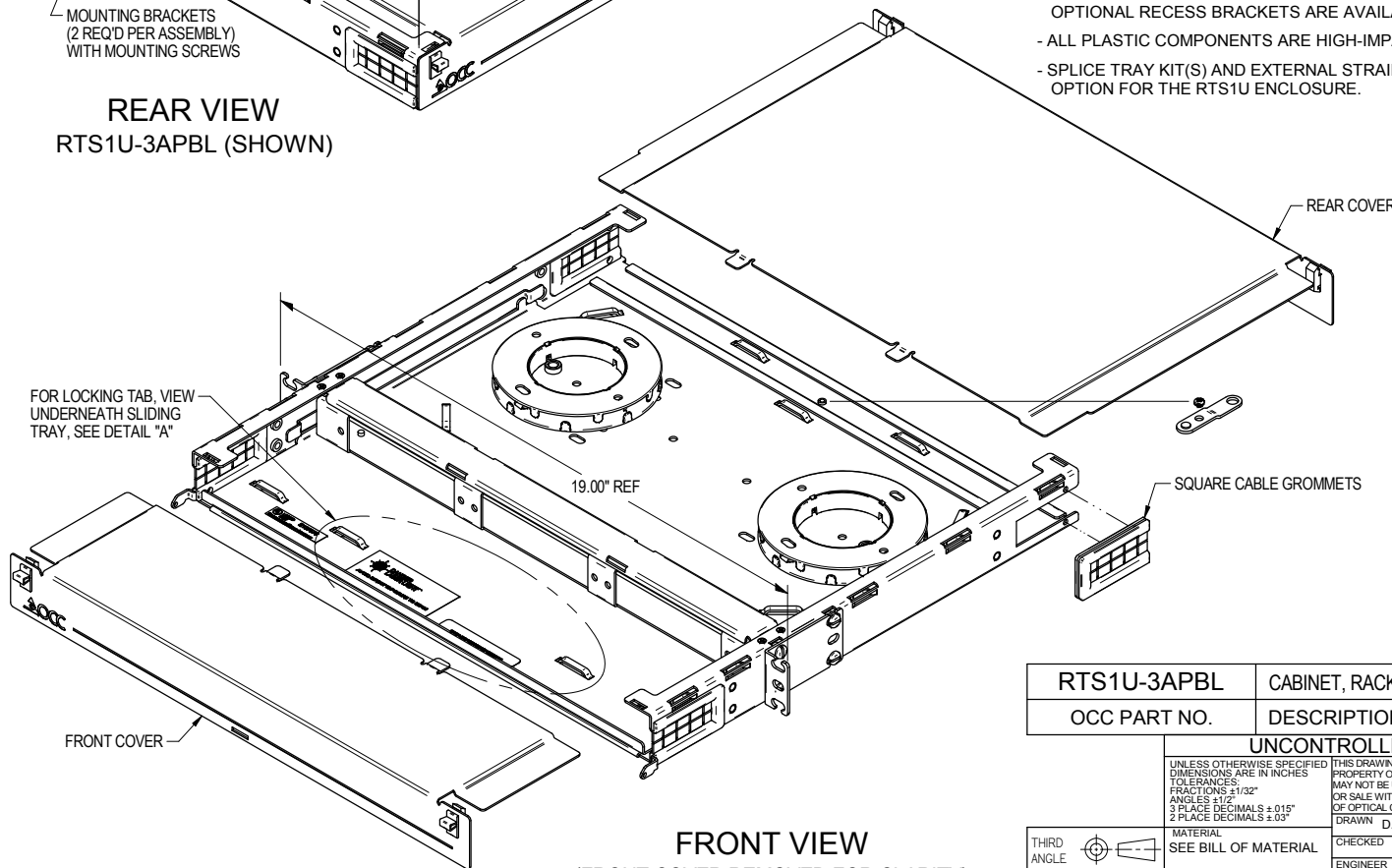
## SPECIFICATIONS

### FEATURES & BENEFITS:

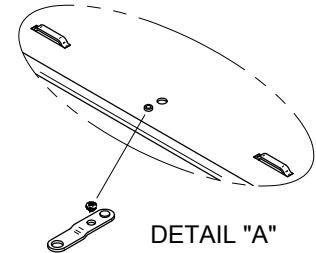
- OPTICAL CABLE CORPORATION'S, RTS1U SERIES LOW PROFILE FIBER OPTIC CROSS CONNECT ENCLOSURES PROVIDE FIBER MANAGEMENT, CONNECTIVITY, AND DISTRIBUTION FOR 6-36 FIBERS. ACCOMMODATES ALL CROSS CONNECT FUNCTIONS (SPlicing, TERMINATION, AND INTERCONNECTION) FOR OUTSIDE PLANT, BACKBONE, AND BUILDING CABLES.
- ACCOMMODATES OCC 600 SERIES SNAP-IN ADAPTER PLATES. RTS1U ENCLOSURE PORT COUNT IS BASED UPON THE PORT DENSITY OF THE ADAPTER PLATES. ADAPTER PLATES ORDERED SEPARATELY.
- RTS1U ENCLOSURES PROVIDE INNOVATIVE FIBER ORGANIZATION UTILIZING STACKABLE FIBER HOOPS DESIGNED TO MAINTAIN ORDERLY FIBER MANAGEMENT AND ALLOW FOR GREATER SEGREGATION OF INCOMING FIBER CABLES
- PLASTIC GROMMETS PROVIDE RELIABLE CABLE PROTECTION AT ALL CABLE ENTRANCES AND EXITS.
- RUGGED 16-GAUGE STEEL CONSTRUCTION WITH A DURABLE POWDER COAT FINISH. RTS1U DRAWER COLOR: B = BLACK
- SLIDING TRAY PROVIDE EASY FRONT AND REAR ACCESS AND CAN BE REMOVED ENTIRELY FROM THE ENCLOSURE FOR A CONVENIENT WORK SURFACE
- HINGED TRANSPARENT COVER ALLOWS FOR VISUAL INSPECTION OF PORTS AND DEFINED LABELING FIELD PROVIDED FOR TIA 606A COMPLIANCE.
- STANDARD UNIVERSAL MOUNTING BRACKETS INCLUDED TO FIT 19" AND 23" RACKS OR CABINETS. OPTIONAL RECESS BRACKETS ARE AVAILABLE TO ALLOW RTS1U ENCLOSURES TO FIT FLUSH WITH RACK
- ALL PLASTIC COMPONENTS ARE HIGH-IMPACT SELF-EXTINGUISHING, UL LISTED RATING 94 V-0.
- SPLICE TRAY KIT(S) AND EXTERNAL STRAIN RELIEF BRACKETS MAY BE ORDERED SEPARATELY AS AN OPTION FOR THE RTS1U ENCLOSURE.



REAR VIEW  
RTS1U-3APBL (SHOWN)



FRONT VIEW  
(FRONT COVER REMOVED FOR CLARITY)  
RTS1U-3APBL (SHOWN)



**UNCONTROLLED COPY**

"OPTICAL CABLE CORPORATION (OCC)  
RESERVES THE RIGHT TO REVISE ANY  
RACK CABINET SPECIFICATIONS."

RTS1U-3APBL	CABINET, RACK MNT, RTS, 1 UNIT, 3 ADAPTER PLATES, BLACK, LOCKABLE
OCC PART NO.	DESCRIPTION

UNCONTROLLED COPY		UNLESS OTHERWISE SPECIFIED DIMENSIONS ARE IN INCHES		THIS DRAWING AND THE DESIGN SHOWN ARE THE PROPERTY OF OPTICAL CABLE CORPORATION AND MAY NOT BE USED AS THE BASIS FOR MANUFACTURE OR SALE WITHOUT SPECIFIC WRITTEN PERMISSION OF OPTICAL CABLE CORPORATION.	
TOLERANCES:	FRACTIONS ±1/32"	DRAWN	D.A.HOLBERT	DATE	1/14/14
ANGLES	±1/2°	CHECKED	S.PORACH	DATE	1/30/14
3 PLACE DECIMALS	±.015"	ENGINEER	J.YANIK	DATE	1/14/14
2 PLACE DECIMALS	±.03"	APPROVED	J.HOWE	DATE	1/30/14
MATERIAL	SEE BILL OF MATERIAL	PREVIOUS DWG			
FINISH	SEE NOTES	NEXT DWG			
THIRD ANGLE PROJECTION		FILENAME	C111659S1A.dft	SCALE	NONE
CRITICAL DIMENSION CODE		SIZE	C	DWG NO.	<b>C111659</b>
⊕ = FUNCTION		REV	A	SHEET	1 OF 2
⊙ = MATING					
⊗ = AUDIT					

**OCC**  
OPTICAL CABLE CORPORATION  
33 Superior Way  
Swannanoa, NC 28778  
Phone: 828-298-2260  
Fax: 828-298-2487  
www.occfiber.com

DWG TITLE  
**CUSTOMER DRAWING,  
CABINET ASSEMBLY, RTS1U,  
RACK MNT SLIDING, 3 PLATES**