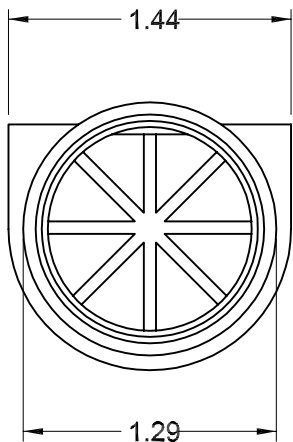


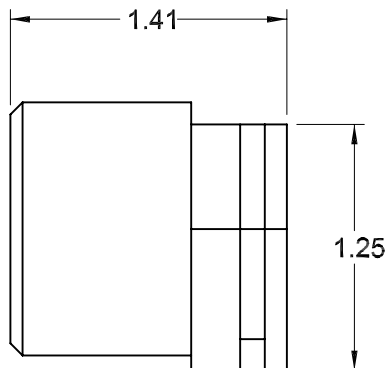
NOTES: UNLESS OTHERWISE SPECIFIED.

1. PART 10801302 FOR UL APPROVED APPLICATIONS.

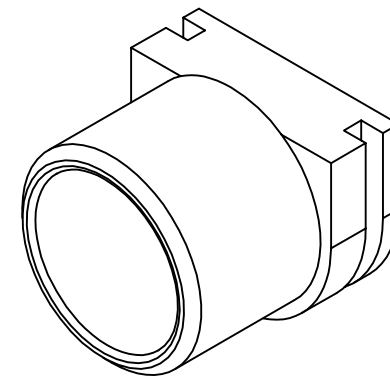
REVISION HISTORY					
REV	SHT	DESCRIPTION	DATE	ECN	CHECKED
A	ALL	RELEASE NEW	11/9/06	NEW	JY



FRONT VIEW



RIGHT SIDE

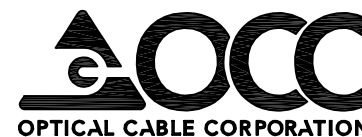


ISOMETRIC VIEW

UNCONTROLLED COPY

NOTE 1

10801302	CONDUIT ADAPTER
10801301	CONDUIT ADAPTER
OCC PART NUMBER	DESCRIPTION



5290 Concourse Drive  
Roanoke, VA 24019  
Phone: 800-622-7711  
Fax: 540-265-0724  
www.occfiber.com

THIRD ANGLE PROJECTION 	UNLESS OTHERWISE SPECIFIED DIMENSIONS ARE IN INCHES. TOLERANCES: FRACTIONS $\pm 1/32"$ ANGLES $\pm 1/2^\circ$ 3 PLACE DECIMALS $\pm .005"$ 2 PLACE DECIMALS $\pm .01"$	THIS DRAWING AND THE DESIGN SHOWN ARE THE PROPERTY OF OPTICAL CABLE CORPORATION AND MAY NOT BE USED AS THE BASIS FOR MANUFACTURE OR SALE WITHOUT SPECIFIC WRITTEN PERMISSION OF OPTICAL CABLE CORPORATION.	
	MATERIAL SEE BILL OF MATERIAL	DRAWN E.WETLI	DATE 11/9/06
CRITICAL DIMENSION CODE (F) = FUNCTION (M) = MATING (A) = AUDIT	FINISH SEE BILL OF MATERIAL	CHECKED J.YANIK	DATE 11/9/06
		ENGINEER J.YANIK	DATE 11/9/06
		APPROVED J.HOWE	DATE 11/9/06
		PREVIOUS DWG	
		NEXT DWG	FILENAME C108013A.DFT

DWG TITLE		CUSTOMER DRAWING, CONDUIT ADAPTER, $\varnothing .75$	
SIZE A	DWG NO. C108013	REV A	
SCALE:	NONE	SHEET	1 OF 1