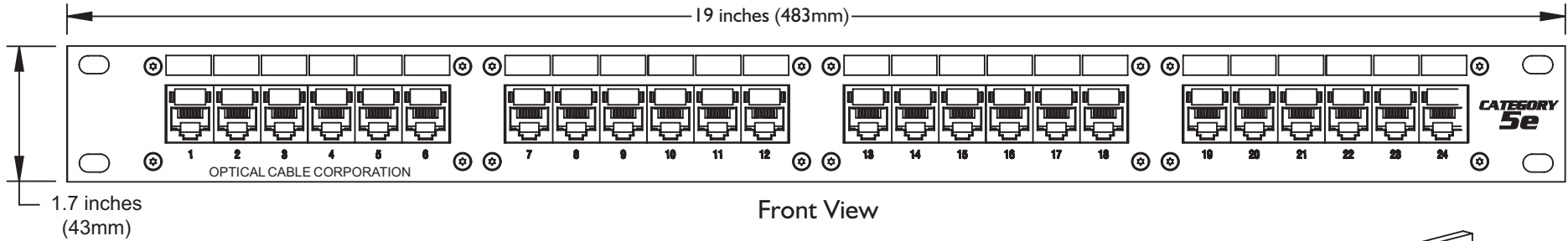
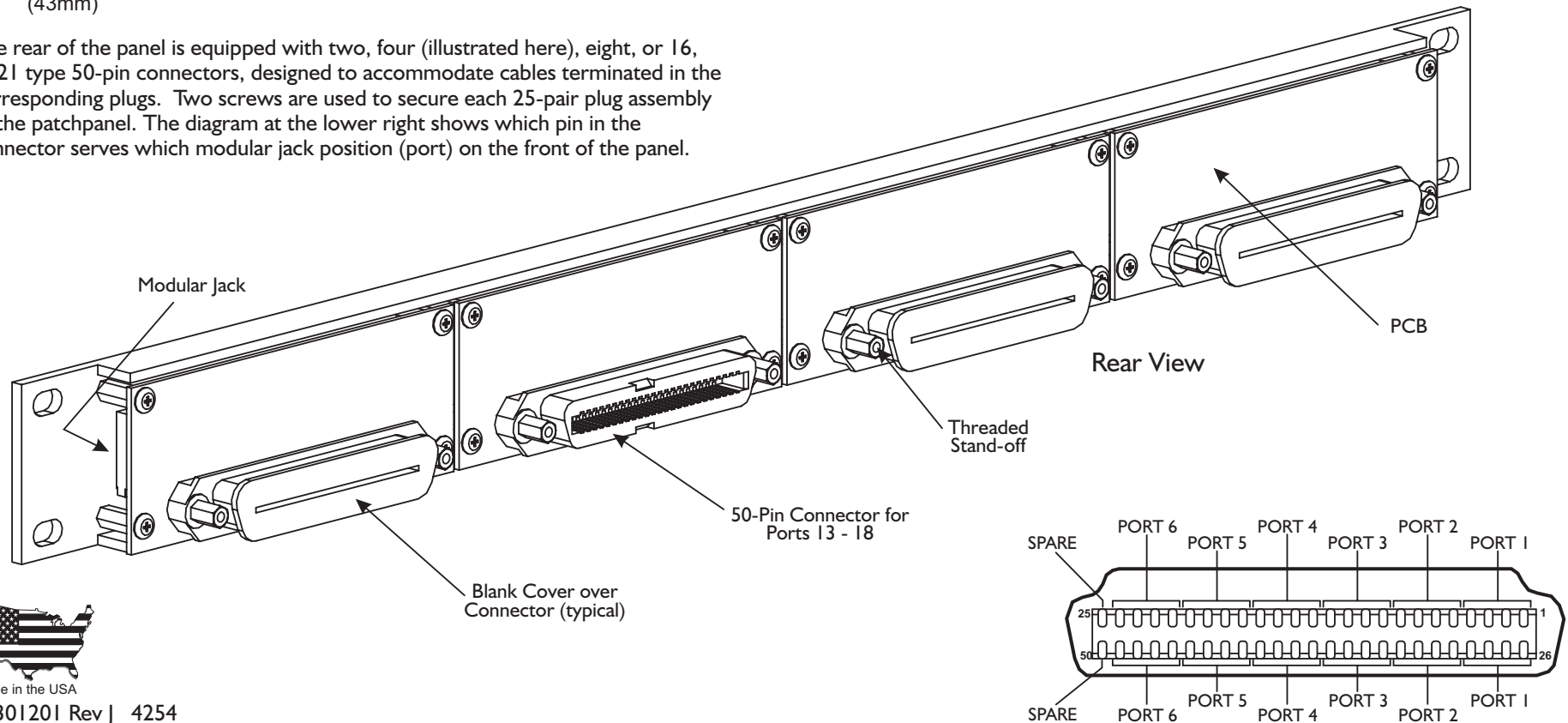
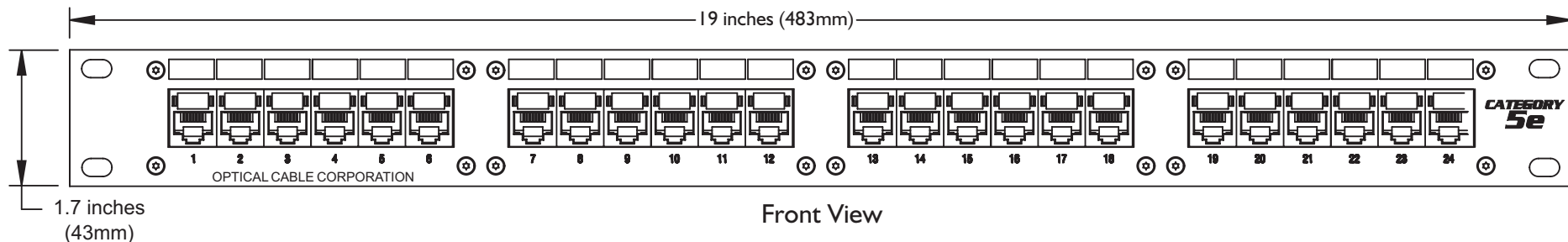


The front panel is equipped with 12, 24, 48, or 96 8-position modular jacks designed to accommodate modular plug-ended jumper cords. The pin and pair assignments for the modular jacks are shown on the next page.



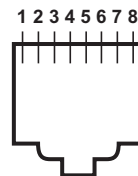
The rear of the panel is equipped with two, four (illustrated here), eight, or 16, RJ-21 type 50-pin connectors, designed to accommodate cables terminated in the corresponding plugs. Two screws are used to secure each 25-pair plug assembly to the patchpanel. The diagram at the lower right shows which pin in the connector serves which modular jack position (port) on the front of the panel.





Pin and Pair assignments for modular jacks

Pair and Polarity	25Pair Connector Pin	Modular Jack Pin	Jack Number
t1 r1 t2 r2	26 1 27 2	1 2 3 6	1
t1 r1 t2 r2	28 3 29 4	1 2 3 6	2
* • • •	• • •	• • •	• • •
t1 r1 t2 r2	48 23 49 24	1 2 3 6	12
Not used Not used	50 25		



t = Tip and is positive
r = Ring and is negative

* Repeat above for
all jack positions (ports)



Made in the USA

I0301201 Rev J 4254



OPTICAL CABLE CORPORATION
5290 Concourse Drive • Roanoke, VA 24019 USA
Phone: 540-265-0690 • TOLL FREE 800-622-7711
Fax: 540-265-0724 • www.occfiber.com