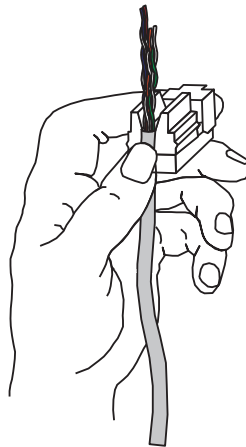


Bezel and Stuffer Caps are included with jack. Custom Bezels ordered separately.

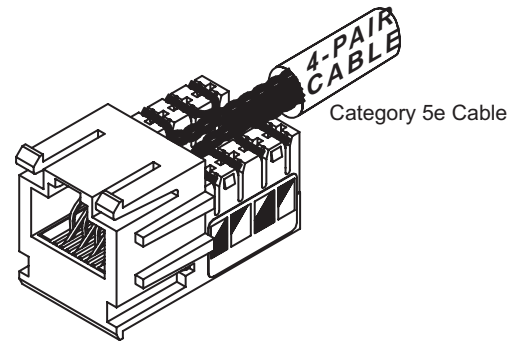
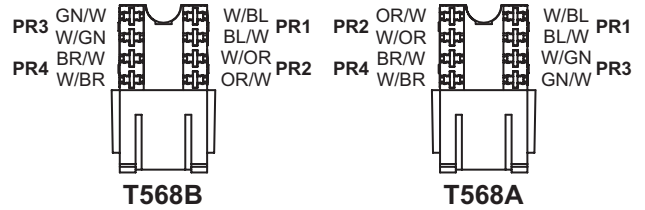
Hold jack & cable in one hand. Load 110 Connectors and terminate with other hand.



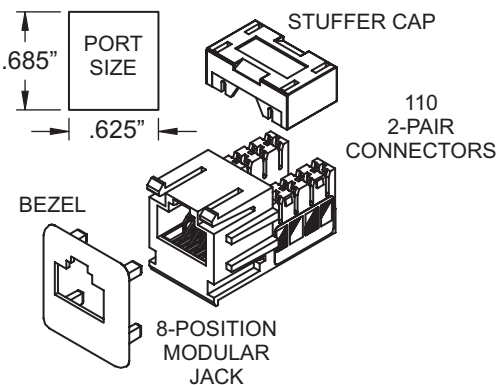
- STEP 1: Strip back cable jacket 1 1/2".
- STEP 2: Press cable into slot at back of connector.
- STEP 3: Insert conductors into color coded slots on 110 Connectors. Maintain wire twists up to termination point.

- STEP 4: Terminate conductors using 110 impact tool or stuffer caps (provided) and pliers.
- STEP 5: Trim excess conductors.
- STEP 6: Snap into Faceplate.
- STEP 7: Push on Bezel.

UMJVL Punch-Down

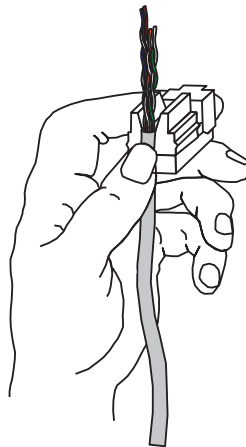


NOTE: Installer MUST follow EIA/TIA 568 Installation Guidelines to maintain Category 5e Compliance.



Bezel and Stuffer Caps are included with jack. Custom Bezels ordered separately.

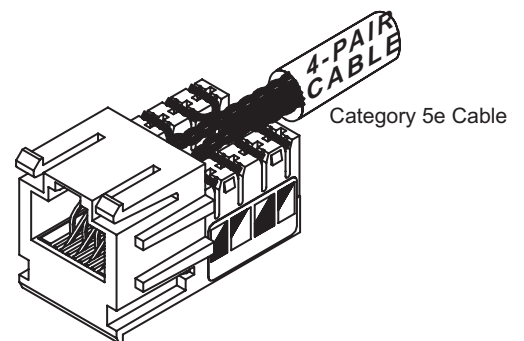
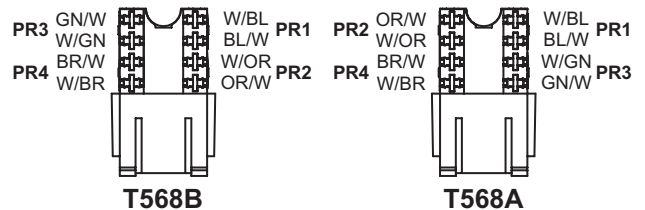
Hold jack & cable in one hand. Load 110 Connectors and terminate with other hand.



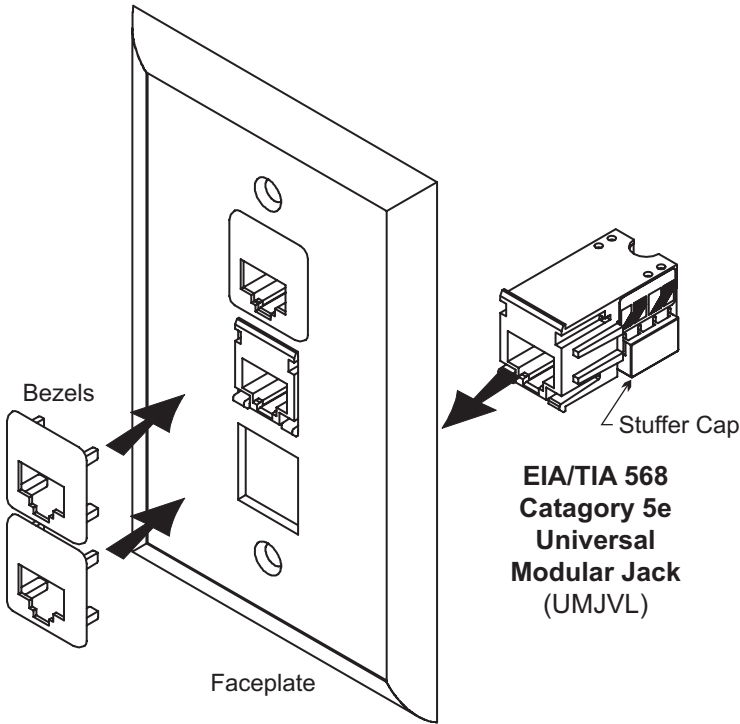
- STEP 1: Strip back cable jacket 1 1/2".
- STEP 2: Press cable into slot at back of connector.
- STEP 3: Insert conductors into color coded slots on 110 Connectors. Maintain wire twists up to termination point.

- STEP 4: Terminate conductors using 110 impact tool or stuffer caps (provided) and pliers.
- STEP 5: Trim excess conductors.
- STEP 6: Snap into Faceplate.
- STEP 7: Push on Bezel.

UMJVL Punch-Down

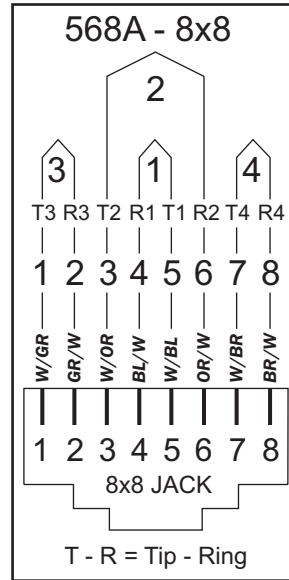


NOTE: Installer MUST follow EIA/TIA 568 Installation Guidelines to maintain Category 5e Compliance.

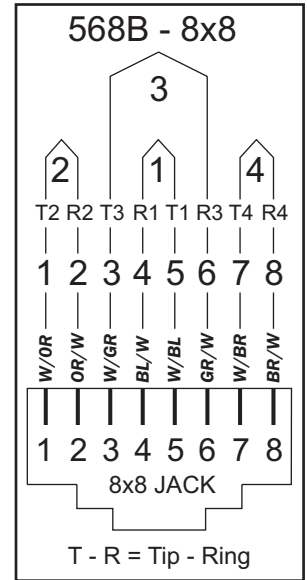


Wiring Patterns and Part Numbers

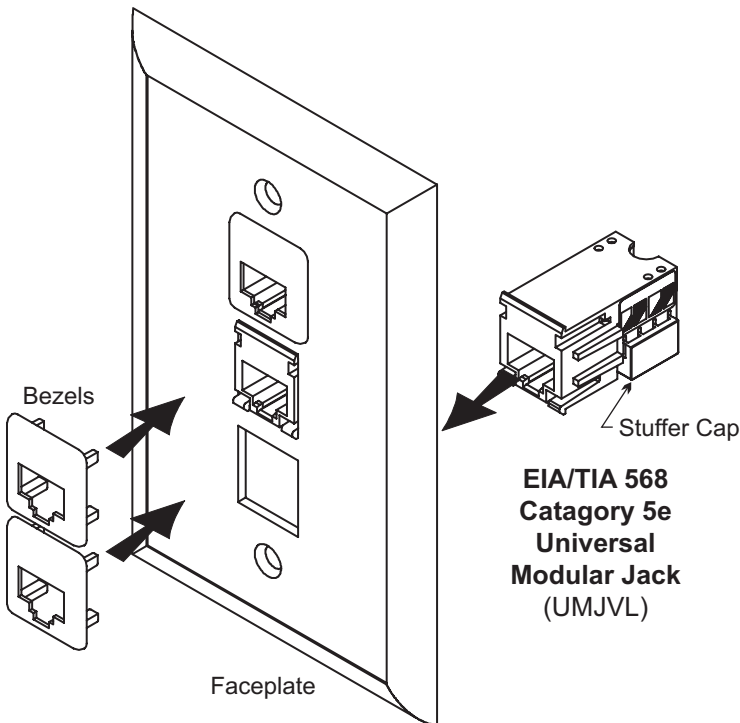
PART# UMJVL 8A



PART# UMJVL 8B

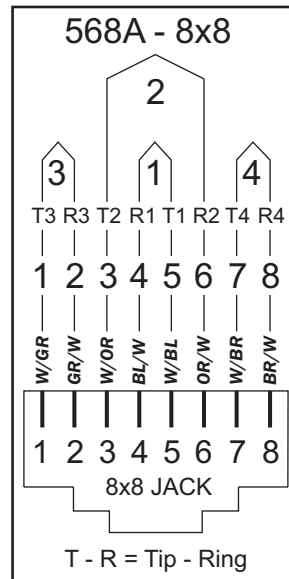


5290 Concourse Drive • Roanoke, VA 24019 USA
Phone: 540-265-0690 • TOLL FREE 800-622-7711
Fax: 540-265-0724 • www.occfiber.com

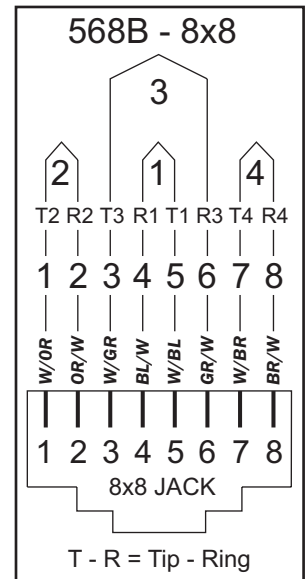


Wiring Patterns and Part Numbers

PART# UMJVL 8A



PART# UMJVL 8B



5290 Concourse Drive • Roanoke, VA 24019 USA
Phone: 540-265-0690 • TOLL FREE 800-622-7711
Fax: 540-265-0724 • www.occfiber.com