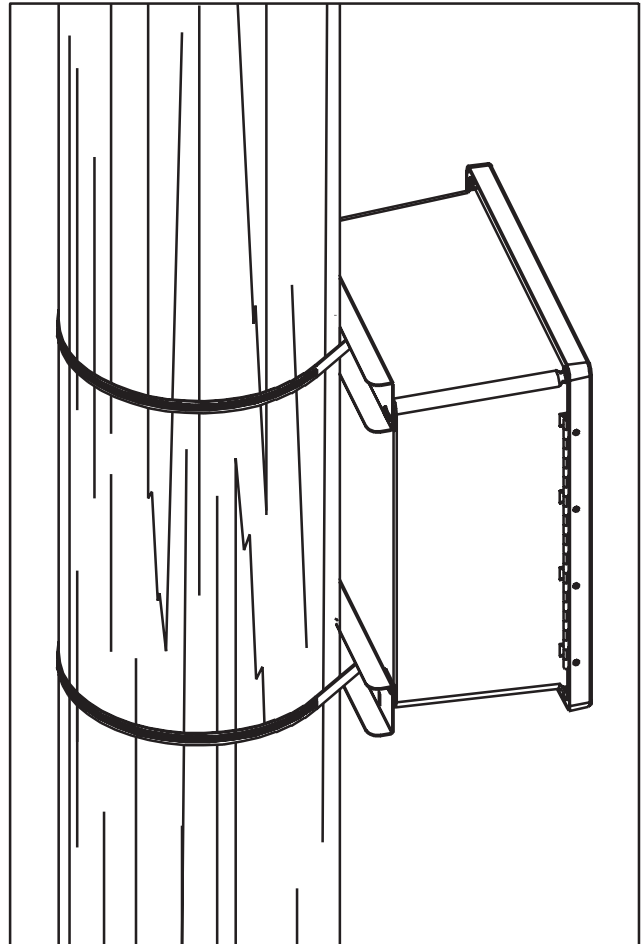


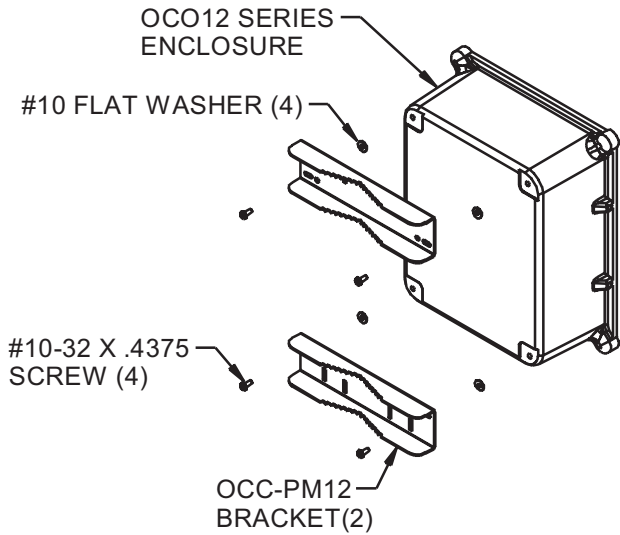
# ENCLOSURE POLE MOUNT KIT INSTALLATION INSTRUCTIONS

OCC-PM12  
OCC-PM48  
OCC-PM72



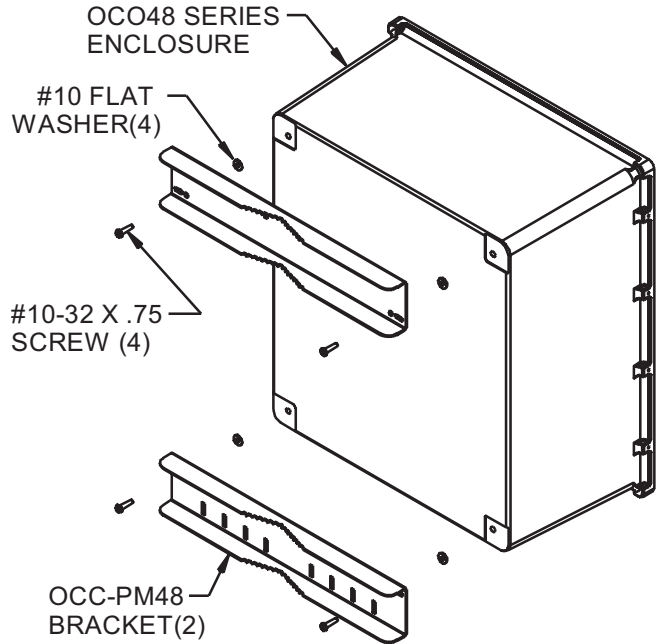
PART NUMBER	OCO ENCLOSURE SERIES
OCC-PM12	OCO12
OCC-PM48	OCO48
OCC-PM72	OCO72, OCO96

OCO-PM12



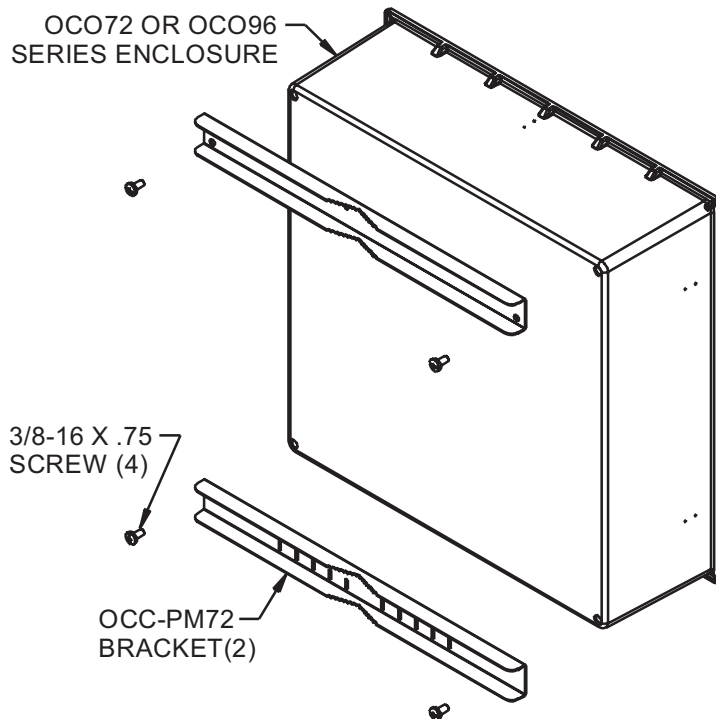
1. ATTACH POLE MOUNT BRACKET TO ENCLOSURE WITH PROVIDED HARDWARE.
2. THEN ATTACH ENCLOSURE TO POLE WITH METAL CLAMP.

OCC-PM48



1. ATTACH POLE MOUNT BRACKET TO ENCLOSURE WITH PROVIDED HARDWARE.
2. THEN ATTACH ENCLOSURE TO POLE WITH METAL CLAMP.

OCC-PM72



1. ATTACH POLE MOUNT BRACKET TO ENCLOSURE WITH PROVIDED HARDWARE.
2. THEN ATTACH ENCLOSURE TO POLE WITH METAL CLAMP.

COMPONENTS BY POLE MOUNT KIT

- |          |  |
|----------|--|
| OCC-PM12 | #10-32 X .4375 SCREW(4)<br>OCC-PM12 MOUNTING BRACKETS(2)<br>#10 FLAT WASHER(4)<br>#10-32 X .75 SCREW (4)<br>#10-32 LOCK NUT(4)<br>48" POLE CLAMP |
| OCC-PM48 | #10-32 X .4375 SCREW(4)<br>OCC-PM48 MOUNTING BRACKETS(2)<br>#10 FLAT WASHER(4)<br>#10-32 X .75 SCREW (4)<br>#10-32 LOCK NUT(4)<br>48" POLE CLAMP |
| OCC-PM72 | 3/8-16 X .75 SCREW(4)<br>OCC-PM72 MOUNTING BRACKETS(2)<br>48" POLE CLAMP   |



5290 Concourse Drive • Roanoke, VA 24019 USA  
 Phone: 540-265-0690 • TOLL FREE 800-622-7711  
 Fax: 540-265-0724 • www.occfiber.com