

Assembly Instructions

Open Frame Relay Rack

PART NUMBERS:

OF2402 OF3602 OF4503 OF5102
 OF2403 OF3603 OF4504 OF5103
 OF2404 OF4502 OF4505

PARTS LIST:

Item Number	Component Parts	Qty.
1	48-96 x 3" Vertical Channel	2
2	1.5 x 1.5" Top Angle	2
3	3.5 x 6" Base Angle	2
4	3/8 x 3/4" Nut/Bolt Set	12
5	3/8" Lockwasher	12
6	#12-24 x 1/2" Machine Screws	50
7	Instruction Sheet	1

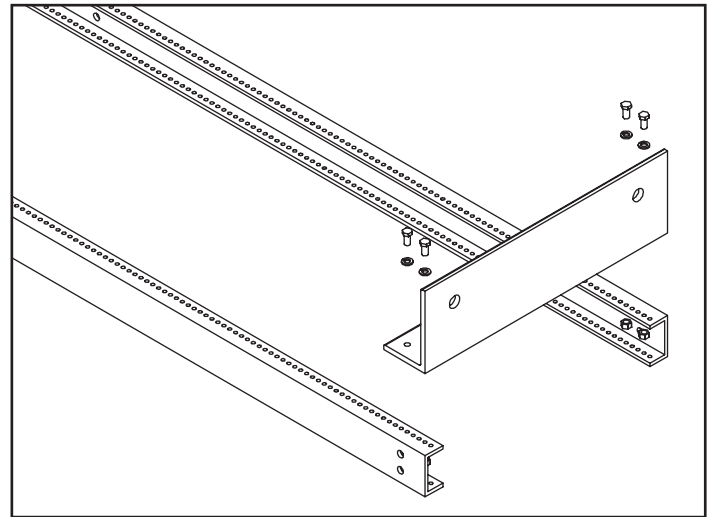


Figure 1 - Step #1

INSTRUCTIONS:

STEP #1: INSTALL BASE ANGLES TO VERTICAL UPRIGHT CHANNELS.

- Lay vertical channels on a flat surface with open sides of channel facing each other. Channels should be approximately 20 inches apart for 19" mounting, or 24" apart for 23" mounting.
- Place base angle on vertical channels as shown in Figure 1. Align holes in angle with 3/8" holes in vertical channels. Fasten to channels with four (4) hex head bolts, lockwashers, and hex nuts and tighten by hand.

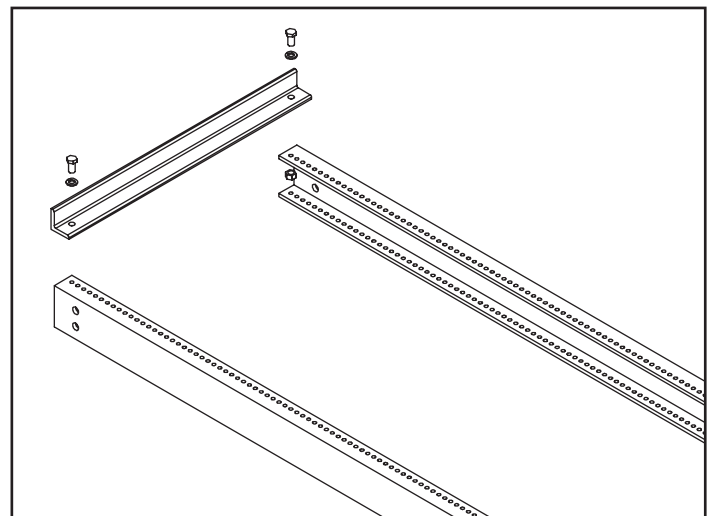


Figure 2 - Step #2

STEP #2: INSTALL TOP ANGLES TO VERTICAL UPRIGHT CHANNELS.

- Place top angle on vertical channels as shown in Figure 2. Align holes in base with 3/8" holes in vertical channels. Fasten to channels with four (4) hex head bolts, lockwashers, and hex nuts and tighten by hand.
- Turn rack over and repeat steps 1 & 2.

STEP #3: FINAL TIGHTENING

- Stand rack upright and ensure vertical channel and base form 90° angle as shown in Figure 3.
- Tighten all fasteners with hand or power tools.

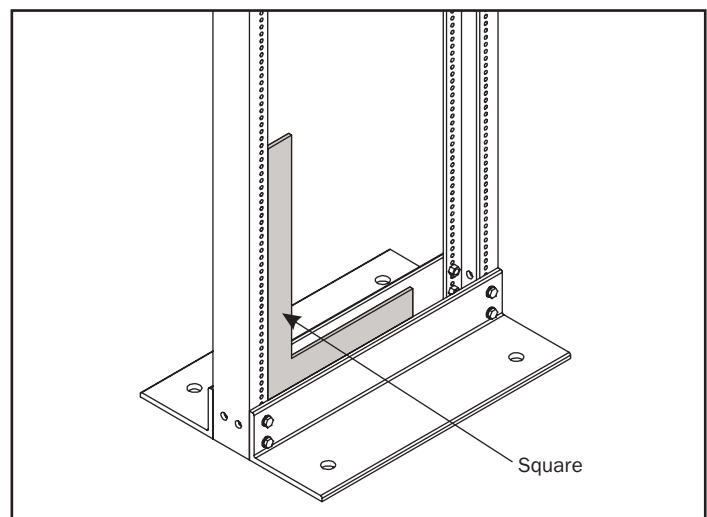


Figure 3 - Step #3

Assembly Instructions

Open Frame Relay Rack

STEP #4: SECURE RACK TO FLOOR.

- A. The rack is now assembled and ready for equipment installation.
- B. It can be secured to floor using 3/8" anchor bolts, if required.

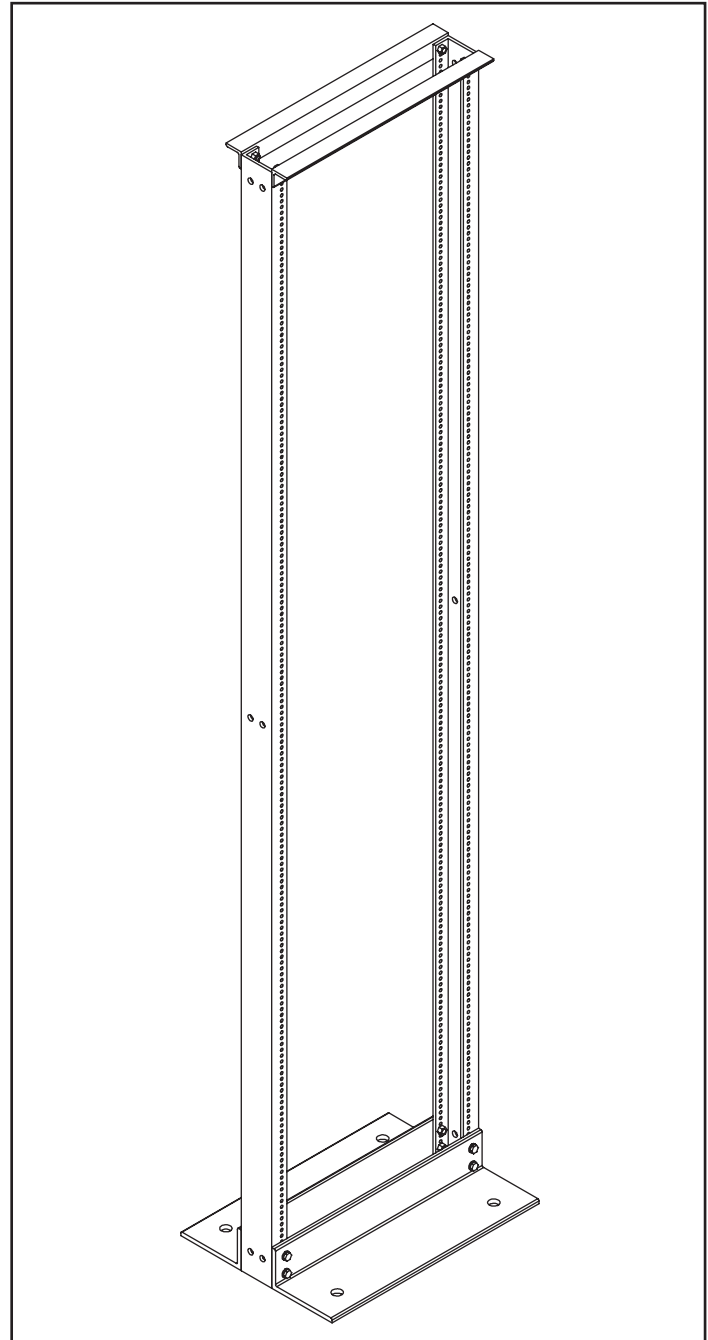


Figure 4 - Step #4