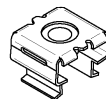


PROVBKT Instruction Sheet
Procyon™ Data Center Cabinet Rack Adapter Kit

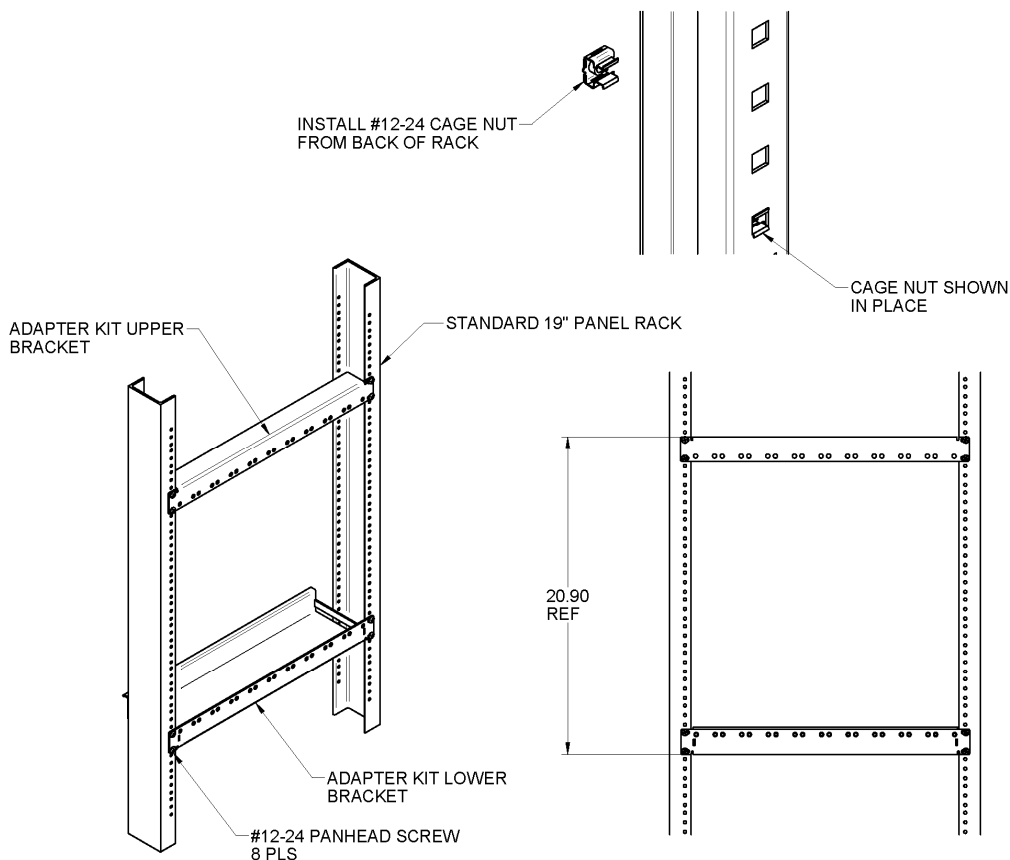
1. Remove from packaging.
2. Inspect for damage.
3. The package should contain the following:
 - a. (1) Adapter Upper Bracket
 - b. (1) Adapter Lower Bracket
 - c. The following hardware:



(8) #12-24 CAGE NUTS



(8) #12-24 X 5/8 PANHEAD SCREWS



4. Install rack adapters as shown. Secure with (8) #12-24 Pan head screws provided. Use (8) #12-24 cage nuts provided if necessary.