

## SME2XX / SME4XX INSTALLATION PROCEDURE

### Parts List:

#### Base:

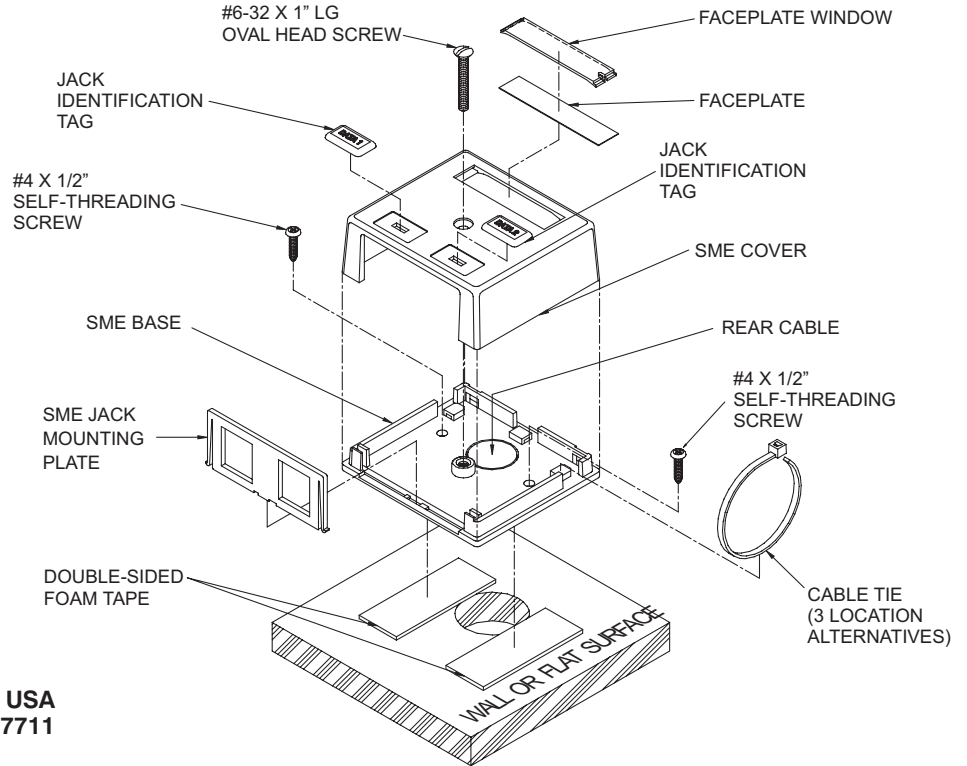
- 2 - #4 X 1/2" Self-Threading Screws
- 2 - Double-Sided Foam Tapes
- 2 - Cable Ties

#### Cover:

- 1 - #6-32 X 1" Lg. Oval Head Screw
- 1 - Faceplate Window, Clear (SME2 Enc.)
- 2 - Faceplate Windows, Clear (SME4 Enc.)
- 1 - Faceplate Card (SME2 Enc.)
- 2 - Faceplate Cards (SME4 Enc.)
- 1 - Jack Identification Kit
- 1 - Bezel, Blank

### Tools Required:

- Straight Screwdriver
- Razor Knife



5290 Concourse Drive • Roanoke, VA 24019 USA  
 Phone: 540-265-0690 • TOLL FREE 800-622-7711  
 Fax: 540-265-0724 • www.occfiber.com

10111601 REV D 4293

## SME2XX / SME4XX INSTALLATION PROCEDURE

### Parts List:

#### Base:

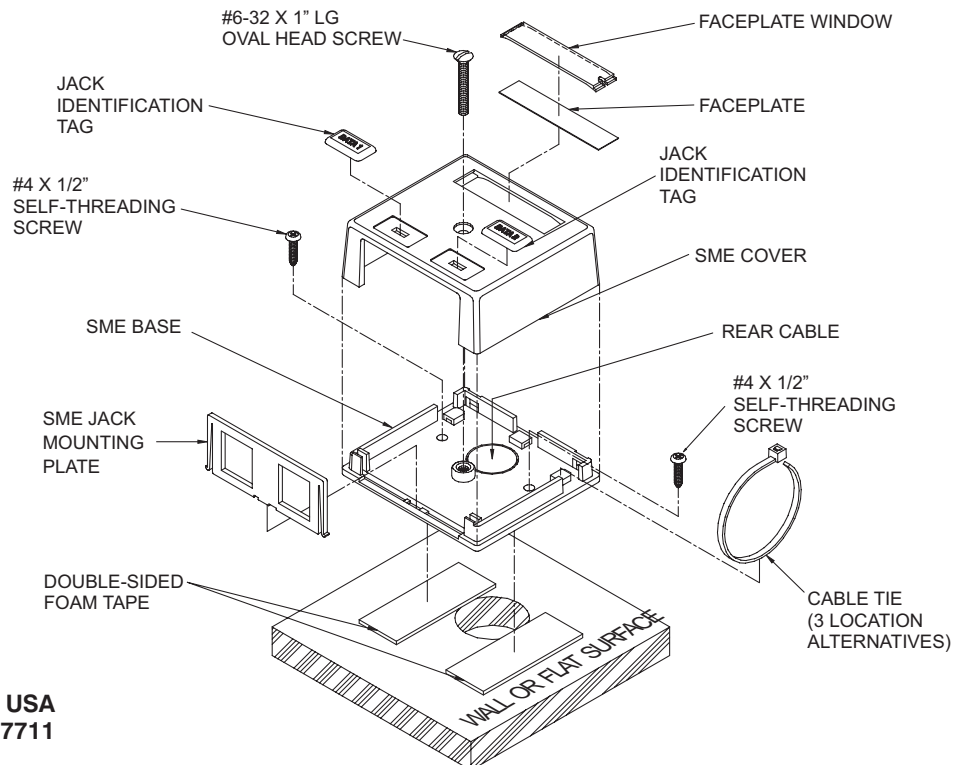
- 2 - #4 X 1/2" Self-Threading Screws
- 2 - Double-Sided Foam Tapes
- 2 - Cable Ties

#### Cover:

- 1 - #6-32 X 1" Lg. Oval Head Screw
- 1 - Faceplate Window, Clear (SME2 Enc.)
- 2 - Faceplate Windows, Clear (SME4 Enc.)
- 1 - Faceplate Card (SME2 Enc.)
- 2 - Faceplate Cards (SME4 Enc.)
- 1 - Jack Identification Kit
- 1 - Bezel, Blank

### Tools Required:

- Straight Screwdriver
- Razor Knife



5290 Concourse Drive • Roanoke, VA 24019 USA  
 Phone: 540-265-0690 • TOLL FREE 800-622-7711  
 Fax: 540-265-0724 • www.occfiber.com

10111601 REV D 4293

## SME2XX / SME4XX INSTALLATION PROCEDURE

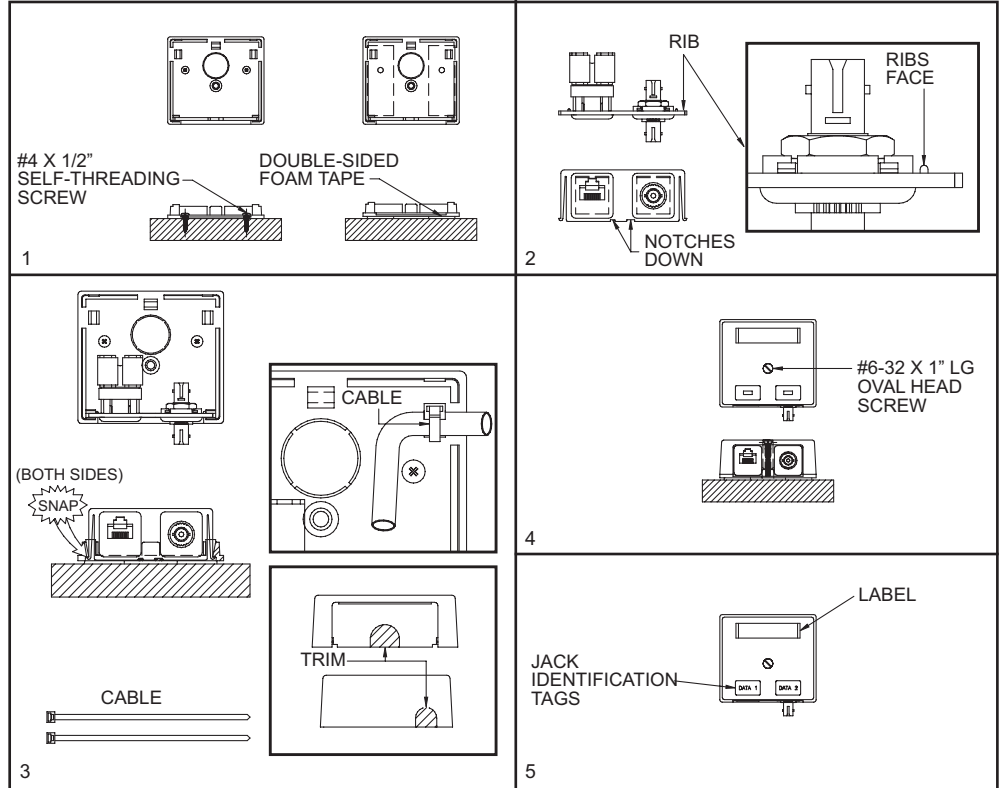
**STEP 1:** Attach base to flat surface using #4 X 1/2" self-threading screws or double-sided foam tape. When using foam tape, remove protective paper from one side and apply to Base. Then remove remaining paper and firmly apply unit to clean, dry, flat surface.

**STEP 2:** Install terminated jacks or related components into mounting plate. (Note orientation of plate).

**STEP 3:** Snap mounting plate into base and secure cables to base using cable ties provided.

**STEP 4:** Trim cable entry in cover as needed. Attach cover to base using screw provided.

**STEP 5:** Install jack identification tags And label as needed. (Optional color code jack ID tags available separately).



10111601 REV D 4293

## SME2XX / SME4XX INSTALLATION PROCEDURE

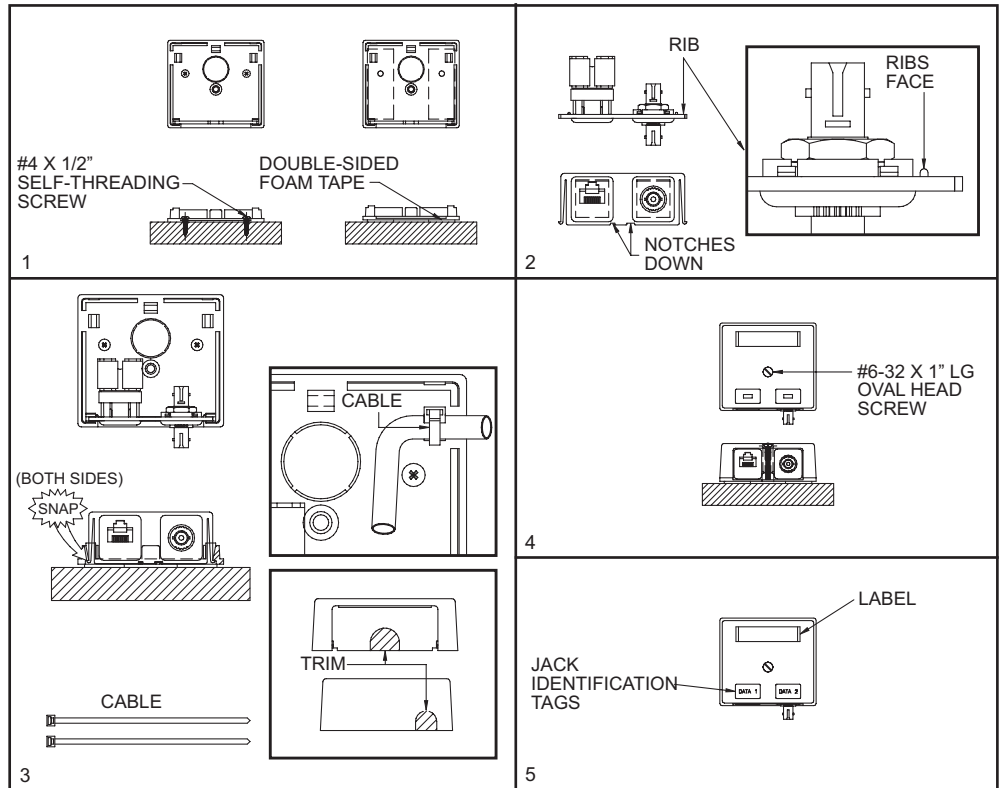
**STEP 1:** Attach base to flat surface using #4 X 1/2" self-threading screws or double-sided foam tape. When using foam tape, remove protective paper from one side and apply to Base. Then remove remaining paper and firmly apply unit to clean, dry, flat surface.

**STEP 2:** Install terminated jacks or related components into mounting plate. (Note orientation of plate).

**STEP 3:** Snap mounting plate into base and secure cables to base using cable ties provided.

**STEP 4:** Trim cable entry in cover as needed. Attach cover to base using screw provided.

**STEP 5:** Install jack identification tags And label as needed. (Optional color code jack ID tags available separately).



10111601 REV D 4293