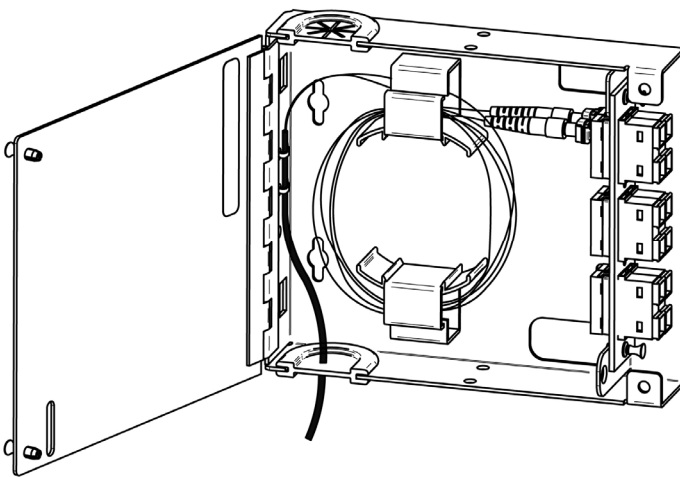
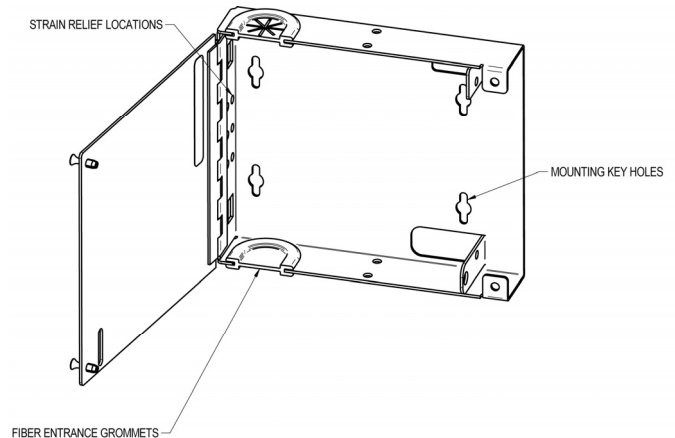


1. Mounting the Panel

Open the door and mount the panel to a wall through the mounting keyholes. Use hardware provided.

2. Installing the Adapter Plate

Install any OCC adapter plate (ordered separately) to the interior brackets using snap-in plungers.



4. Installing Un-Connectorized Cable

When installing an un-connectorized cable:

- A. Mount the splice organizer in the base of the housing centered between the entrance grommets and approximately 0.75 inches from the hinged wall
- B. Pierce the entrance grommet and feed cable through the grommet into the mounted panel.
- C. Strain-relieve the cable with cable ties (included) at the strain-relief location on the hinged wall of the panel.
- D. Splice the fibers to connectorized pigtails per the instructions provided with the splicing equipment.
- E. Route the fiber slack around the base of the housing. Store the splice point in the organizer and continue routing the fiber to the adapter panel. Do not violate the minimum bend radius for the fiber type installed.
- F. Close and secure the panel door with the latches

3. Installing a Connectorized Cable

A connectorized cable may be terminated in the field using OCC's field terminable connectors or in the factory. When installing a connectorized cable:

- A. Pierce the entrance grommet and feed the cable through the grommet into the mounted panel
- B. Strain-relieve the cable with cable ties (included) at the strain-relief location on the hinged wall of the panel
- C. Route fiber slack around the base of the housing and secure with fiber storage hoops (included). Do not violate the minimum bend radius for the fiber type being installed.
- D. Remove dust caps from the adapters being used. Clean the adapters and connector end-faces per standard practices. Insert the connector into the adapter.
- E. Close and secure the panel door with the latches

