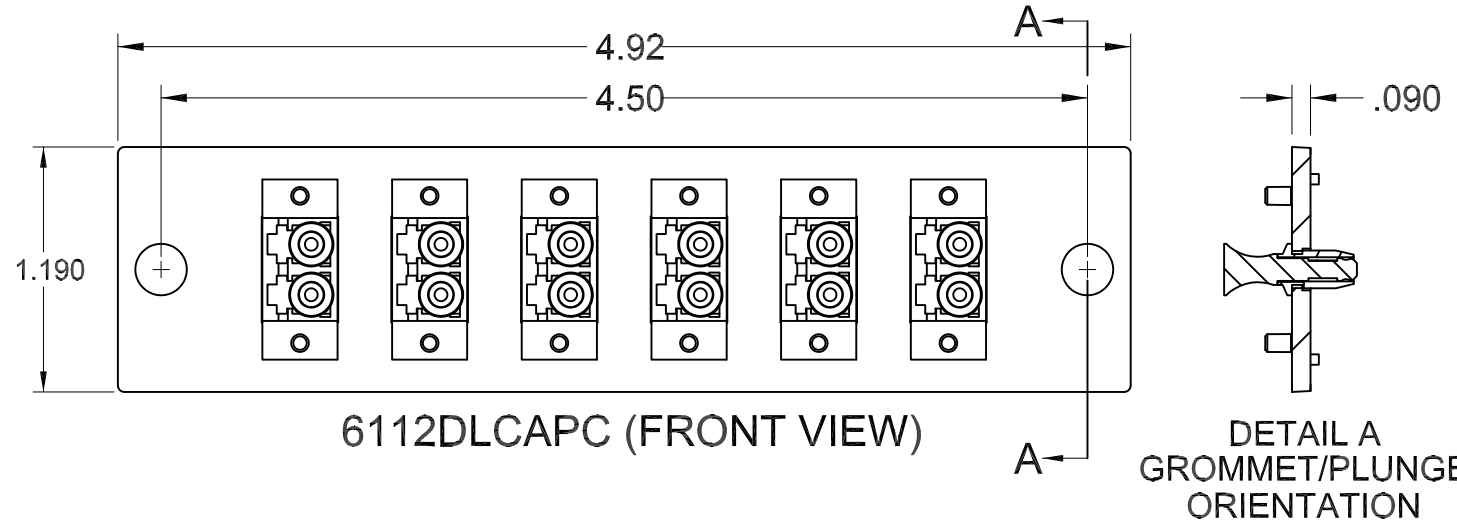
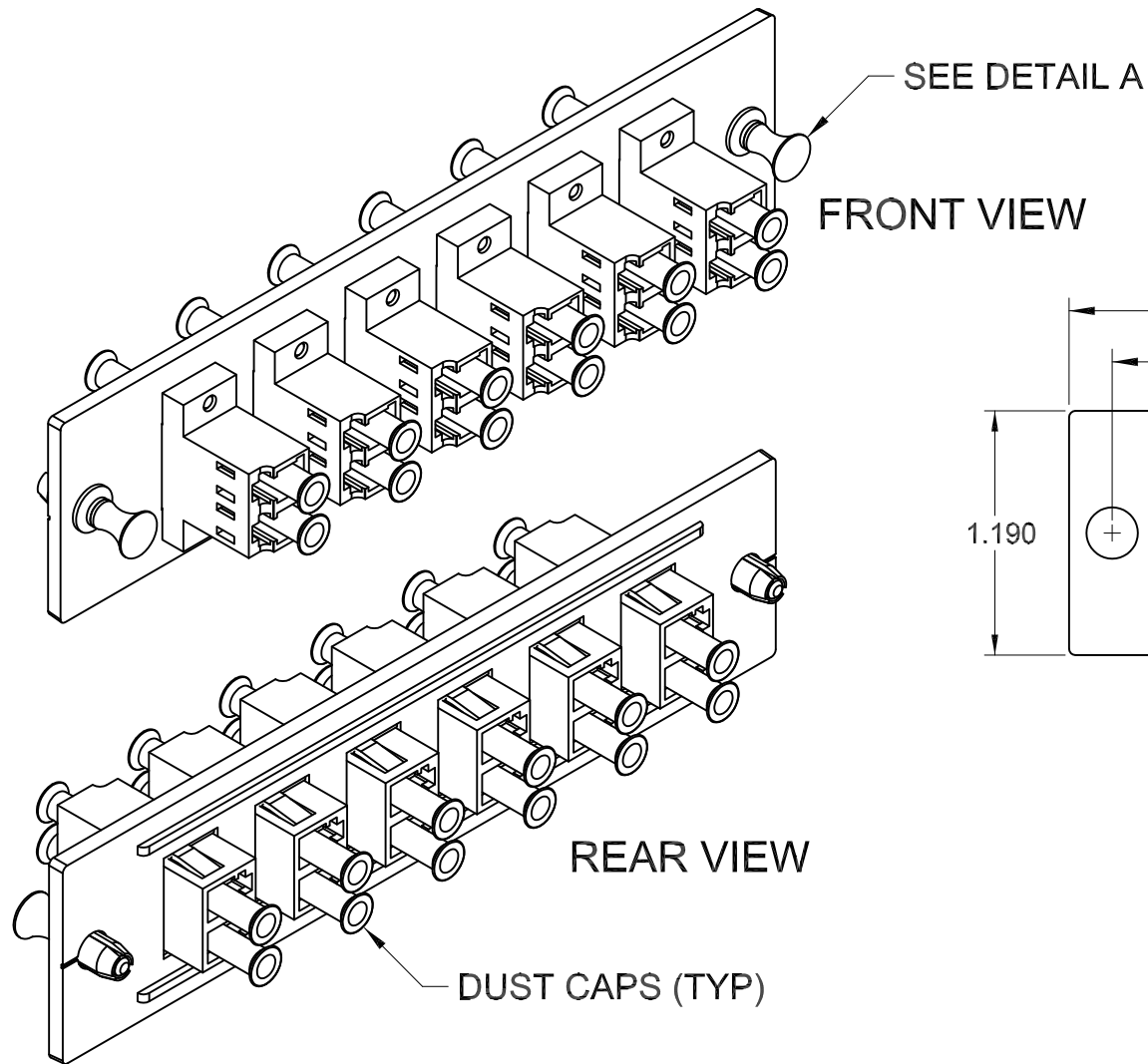


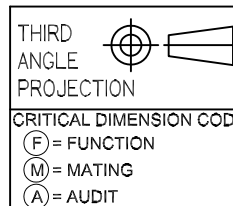
REVISION HISTORY					
REV	SHT	DESCRIPTION	DATE	ECN	CHECKED
A	ALL	RELEASE NEW	1/12/09	NEW	RBS
F	-	ADDED: MORE 12 PORT DUAL LC ADAPTER OPTIONS	1/26/12	-	RBS



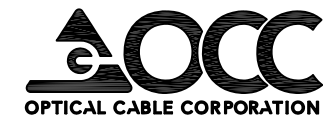
6112DLOR	ADAPTER PLATE ASSY, DUAL LC X 6, RED, SM/MM, 12 PORT, OCC
6112DLCG	ADAPTER PLATE ASSY, DUAL LC X 6, GREEN, SM/MM, 12 PORT, OCC
6112DLCB	ADAPTER PLATE ASSY, DUAL LC X 6, BLUE, SM/MM, 12 PORT, OCC
6112SMDLC	ADAPTER PLATE ASSY, DUAL LC X 6, SM, 12 PORT, OCC
6112MMDLC	ADAPTER PLATE ASSY, DUAL LC X 6, MM, 12 PORT, OCC
6112DLC50G	ADAPTER PLATE ASSY, DUAL LC X 6, 50µm 10G, 12 PORT, OCC
6112DLC	ADAPTER PLATE ASSY, DUAL LC X 6, SM/MM, 12 PORT, OCC
6112DLCAPC	ADAPTER PLATE ASSY, DUAL LCAPC X 6, SM, 12 PORT, OCC
OCC PART NO.	DESCRIPTION

NOTES: UNLESS OTHERWISE SPECIFIED.

- EACH FIBER ADAPTER KIT IS SUPPLIED WITH COMPONENTS SHOWN.
- ADAPTER SPECIFICATIONS (MULTIMODE) 50µm, 50µm 10 GIG, 62.5µm
INSERTION LOSS (AVERAGE): PHOSPHOR BRONZE SLEEVE: ≤ 0.3 dB MAX.
SLEEVE/FERRULE WITHDRAWAL FORCE: 2.0N ~ 5.9N (200gf ~ 600gf)
- ADAPTER SPECIFICATIONS (SINGLEMODE)
INSERTION LOSS (AVERAGE): ZIRCONIA CERAMIC SLEEVE: ≤ 0.2 dB MAX.
SLEEVE/FERRULE WITHDRAWAL FORCE: 2.0N ~ 5.9N (200gf ~ 600gf)



UNCONTROLLED COPY		
UNLESS OTHERWISE SPECIFIED DIMENSIONS ARE IN INCHES. TOLERANCES: FRACTIONS ±1/32" ANGLES ±1/2° 3 PLACE DECIMALS ±.005" 2 PLACE DECIMALS ±.01"	THIS DRAWING AND THE DESIGN SHOWN ARE THE PROPERTY OF OPTICAL CABLE CORPORATION AND MAY NOT BE USED AS THE BASIS FOR MANUFACTURE OR SALE WITHOUT SPECIFIC WRITTEN PERMISSION OF OPTICAL CABLE CORPORATION.	
MATERIAL SEE BILL OF MATERIAL	DRAWN D.A.HOLBERT	DATE 1/12/09
FINISH SEE NOTES	CHECKED R.B.SMITH	DATE 1/13/09
	ENGINEER J.YANIK	DATE 1/12/09
	APPROVED R.B.SMITH	DATE 1/26/12
	PREVIOUS DWG	
	NEXT DWG	FILENAME C:109473F.DFT



5290 Concourse Drive
Roanoke, VA 24019
Phone: 800-622-7711
Fax: 540-265-0724
www.occfiber.com

DWG TITLE CUSTOMER DRAWING, ADAPTER PLATE ASSEMBLY, DUAL LCX6, SM/MM, 12 PORT, OCC		
SIZE B	DWG NO. C109473	REV F
SCALE: NONE	SHEET 1 OF 1	