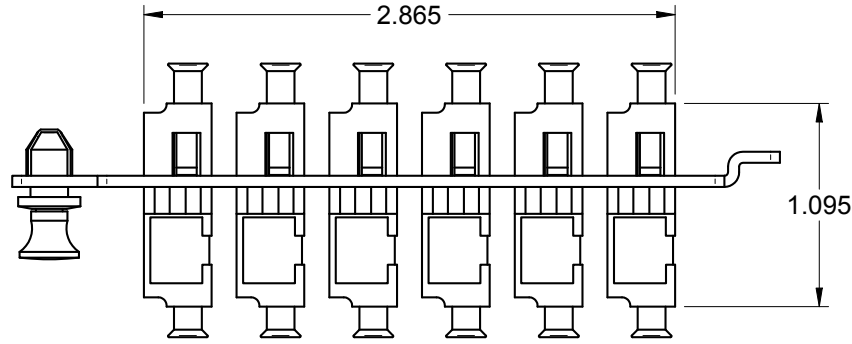
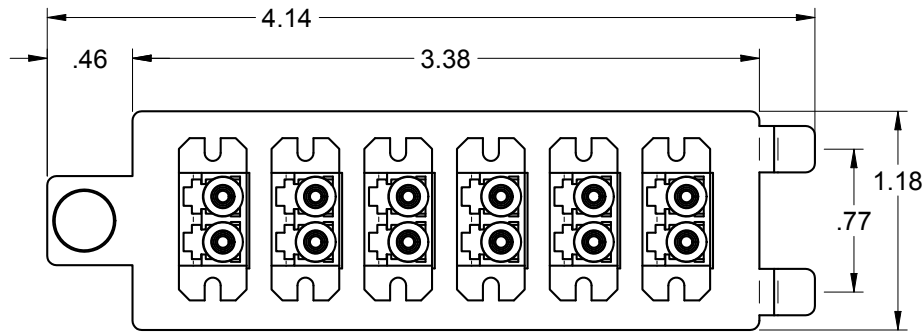


"OPTICAL CABLE CORPORATION (OCC)
RESERVES THE RIGHT TO REVISE ANY
ADAPTER ASSEMBLY SPECIFICATIONS."

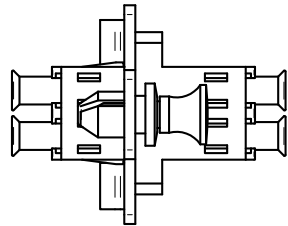
| REVISION HISTORY | | | | |
|------------------|-----|-------------|--------|---------|
| REV | SHT | DESCRIPTION | DATE | CHECKED |
| A | ALL | RELEASE NEW | 3/6/14 | JH |



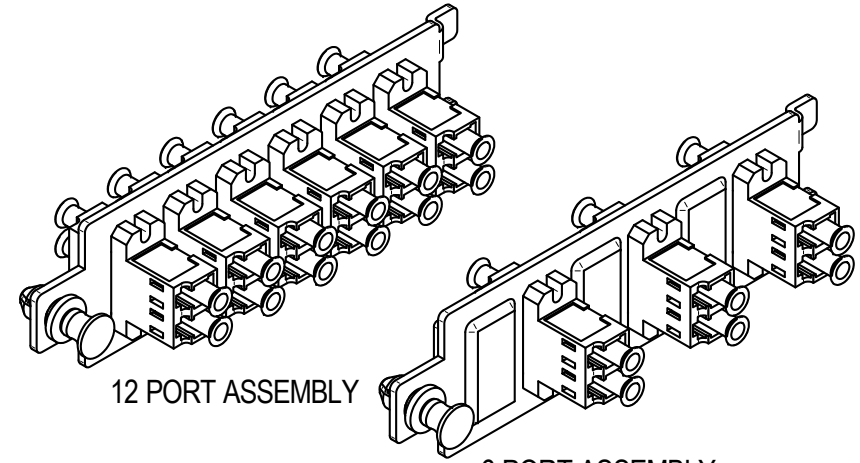
TOP VIEW



FRONT VIEW



LEFT SIDE



12 PORT ASSEMBLY

6 PORT ASSEMBLY

| | |
|--------------|---|
| 6112SMDLCHD | ADAPTER PLATE ASSY, DLC X 12P, SM, HD, OCC |
| 6112MMDLCHD | ADAPTER PLATE ASSY, DLC X 12P, MM, HD, OCC |
| 6112DLC50QHD | ADAPTER PLATE ASSY, DLC X 6, 12P, 50µm OM4, HD, OCC |
| 6112DLC50GHD | ADAPTER PLATE ASSY, DLC X 6, 12P, 50µm OM3, HD, OCC |
| 6112DLCHD | ADAPTER PLATE ASSY, DLC X 6, 12P, SM/MM, HD, OCC |
| 6112DLCAPCHD | ADAPTER PLATE ASSY, DLCAPC X 6, 12P, SM, HD, OCC |
| 616SMDLCHD | ADAPTER PLATE ASSY, DLCAPC X 3, SM, 6P, HD, OCC |
| 616SMDLCHD | ADAPTER PLATE ASSY, DLC X 3, SM, 6P, HD, OCC |
| 616MMDLCHD | ADAPTER PLATE ASSY, DLC X 3, MM, 6P, HD, OCC |
| 616DLC50QHD | ADAPTER PLATE ASSY, DLC X 3, 50µm OM4, 6P, HD, OCC |
| 616DLC50GHD | ADAPTER PLATE ASSY, DLC X 3, 50µm OM3, 6P, HD, OCC |
| 616DLCHD | ADAPTER PLATE ASSY, DLC X 3, SM/MM, 6P, HD, OCC |
| OCC PART NO. | DESCRIPTION |

NOTES: UNLESS OTHERWISE SPECIFIED.

- EACH ADAPTER PLATE ASSEMBLY IS SUPPLIED WITH COMPONENTS SHOWN.
- ADAPTER SPECIFICATIONS (MULTIMODE) 50µm, 50µm 10 GIG, 62.5µm
INSERTION LOSS (AVERAGE): PHOSPHOR BRONZE SLEEVE: ≤ 0.3 dB MAX.
SLEEVE/FERRULE WITHDRAWAL FORCE: 2.0N ~ 5.9N (200gf ~ 600gf)
- ADAPTER SPECIFICATIONS (SINGLEMODE)
INSERTION LOSS (AVERAGE): ZIRCONIA CERAMIC SLEEVE: ≤ 0.2 dB MAX.
SLEEVE/FERRULE WITHDRAWAL FORCE: 2.0N ~ 5.9N (200gf ~ 600gf)

UNCONTROLLED COPY

| | |
|-------------------------|---|
| THIRD ANGLE PROJECTION | |
| CRITICAL DIMENSION CODE | (F) = FUNCTION (M) = MATING (A) = AUDIT |

| UNCONTROLLED COPY | |
|---|--|
| UNLESS OTHERWISE SPECIFIED DIMENSIONS ARE IN INCHES. TOLERANCES: FRACTIONS ±1/32" ANGLES ±1/2" 3 PLACE DECIMALS ±.005" 2 PLACE DECIMALS ±.01" | |
| MATERIAL | PLATE: 16 GAGE CRS (.060 THICK) ADAPTER: SEE BILL OF MATERIAL |
| FINISH | PLATE: POWDER COAT BLACK PER OCC SPEC# 10002501 |
| DRAWN | D.A.HOLBERT |
| CHECKED | S.PORACH |
| ENGINEER | J.YANIK |
| APPROVED | J.HOWE |
| PREVIOUS DWG | |
| NEXT DWG | |

| | | |
|------------------|---|-----------------|
| | 5290 Concourse Drive Roanoke, VA 24019 Phone: 800-622-7711 Fax: 540-265-0724 www.occfiber.com | |
| | DWG TITLE CUSTOMER DRAWING, ADAPTER PLATE ASSY, HD, DUAL LC, 6P/12P, SM/MM, OCC | |
| SIZE B | DWG NO. C111789 | REV A |
| SCALE: NONE | SHEET 1 OF 1 | |