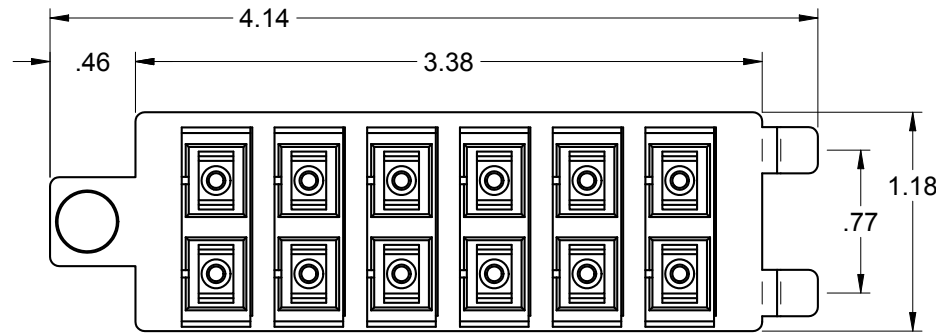


"OPTICAL CABLE CORPORATION (OCC)
RESERVES THE RIGHT TO REVISE ANY
ADAPTER ASSEMBLY SPECIFICATIONS."

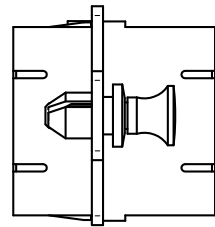
| REVISION HISTORY | | | | |
|------------------|-----|-------------------|---------|---------|
| REV | SHT | DESCRIPTION | DATE | CHECKED |
| A | ALL | RELEASE NEW | 3/6/14 | JH |
| B | - | CORRECTED: NOTE 1 | 3/14/14 | JH |



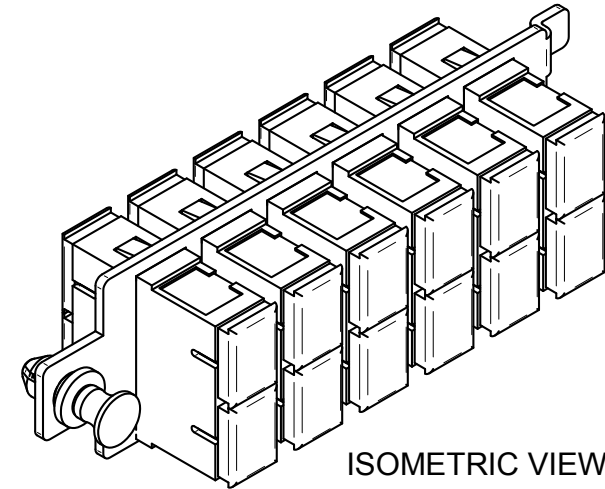
TOP VIEW



FRONT VIEW



LEFT SIDE



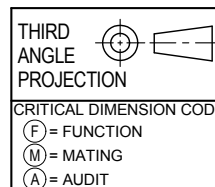
ISOMETRIC VIEW

| 6112SMDSCHD | ADAPTER PLATE ASSY, DUAL SCX6, SM, 12P, HD, OCC |
|---------------|---|
| 6112MMDSCHD | ADAPTER PLATE ASSY, DUAL SCX6, MM, 12P, HD, OCC |
| 6112DSCHD | ADAPTER PLATE ASSY, DUAL SCX6, SM/MM, 12P, HD, OCC |
| 6112DSC50QHD | ADAPTER PLATE ASSY, DUAL SCX6, 50µm OM4, 12P, HD, OCC |
| 6112DSC50GHD | ADAPTER PLATE ASSY, DUAL SCX6, 50µm OM3, 12P, HD, OCC |
| 6112DSCAPCHD | ADAPTER PLATE ASSY, DUAL SCAPCX6, SM, 12P, HD, OCC |
| 6112SMDSAPCHD | ADAPTER PLATE ASSY, DUAL SCAPCX6, SM, 12P, HD, OCC |
| OCC PART NO. | DESCRIPTION |

NOTES: UNLESS OTHERWISE SPECIFIED.

- EACH ADAPTER PLATE ASSEMBLY IS SUPPLIED WITH COMPONENTS SHOWN.
- ADAPTER SPECIFICATIONS (MULTIMODE) 50µm, 50µm 10 GIG, 62.5µm
INSERTION LOSS (AVERAGE): PHOSPHOR BRONZE SLEEVE: ≤ 0.3 dB MAX.
SLEEVE/FERRULE WITHDRAWAL FORCE: 2.0N ~ 5.9N (200gf ~ 600gf)
- ADAPTER SPECIFICATIONS (SINGLEMODE)
INSERTION LOSS (AVERAGE): ZIRCONIA CERAMIC SLEEVE: ≤ 0.2 dB MAX.
SLEEVE/FERRULE WITHDRAWAL FORCE: 2.0N ~ 5.9N (200gf ~ 600gf)

UNCONTROLLED COPY



| UNCONTROLLED COPY | |
|---|-----------------------|
| UNLESS OTHERWISE SPECIFIED DIMENSIONS ARE IN INCHES. TOLERANCES: FRACTIONS ±1/32" ANGLES ±1/2° 3 PLACE DECIMALS ±.005" 2 PLACE DECIMALS ±.01" | |
| MATERIAL PLATE: 16 GAGE CRS (.060 THICK) ADAPTER: SEE BILL OF MATERIAL | |
| FINISH PLATE: POWDER COAT BLACK PER OCC SPEC# 10002501 | |
| DRAWN D.A.HOLBERT | DATE 3/6/14 |
| CHECKED S.PORACH | DATE 3/14/14 |
| ENGINEER J.YANIK | DATE 3/6/14 |
| APPROVED J.HOWE | DATE 3/14/14 |
| PREVIOUS DWG | |
| NEXT DWG | FILENAME C111788B.DFT |



5290 Concourse Drive
Roanoke, VA 24019
Phone: 800-622-7711
Fax: 540-265-0724
www.occfiber.com

| | | | | |
|-----------|---------|---------|---|-----|
| DWG TITLE | | | CUSTOMER DRAWING, ADAPTER PLATE ASSY, HD, DUAL SC, 12PORT, SM/MM, OCC | |
| SIZE | DWG NO. | C111788 | | REV |
| B | | | | B |
| SCALE: | NONE | SHEET | 1 OF 1 | |