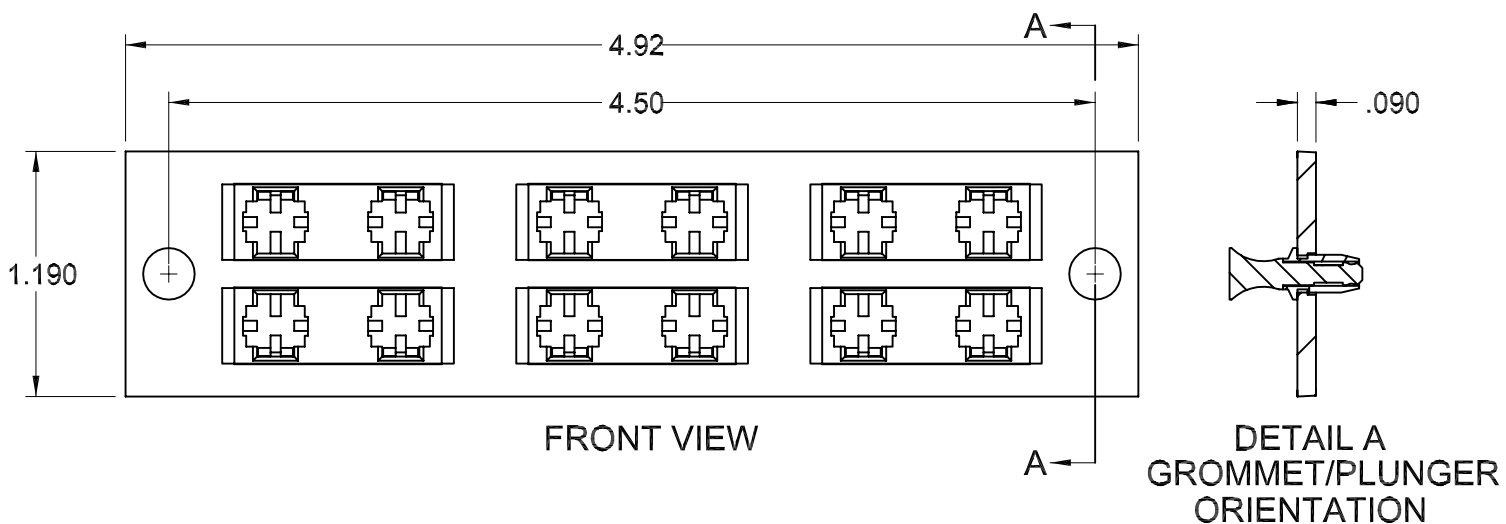
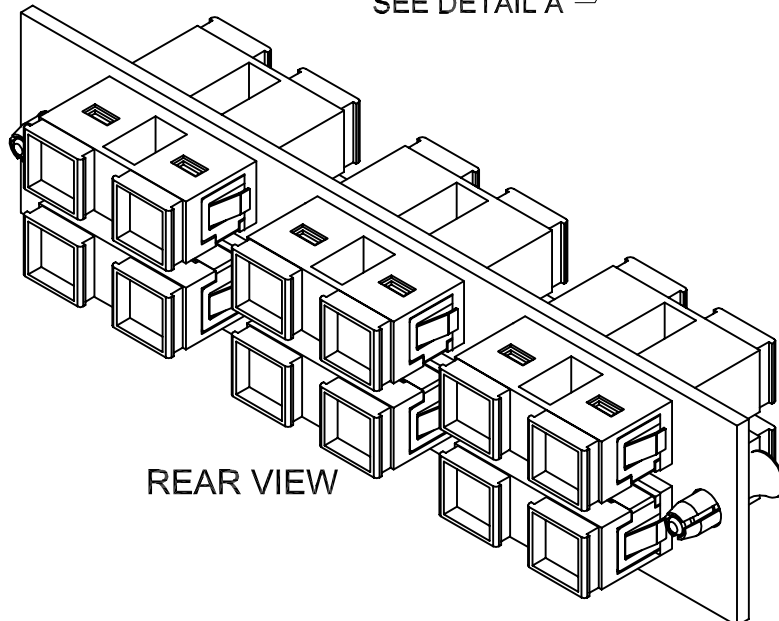
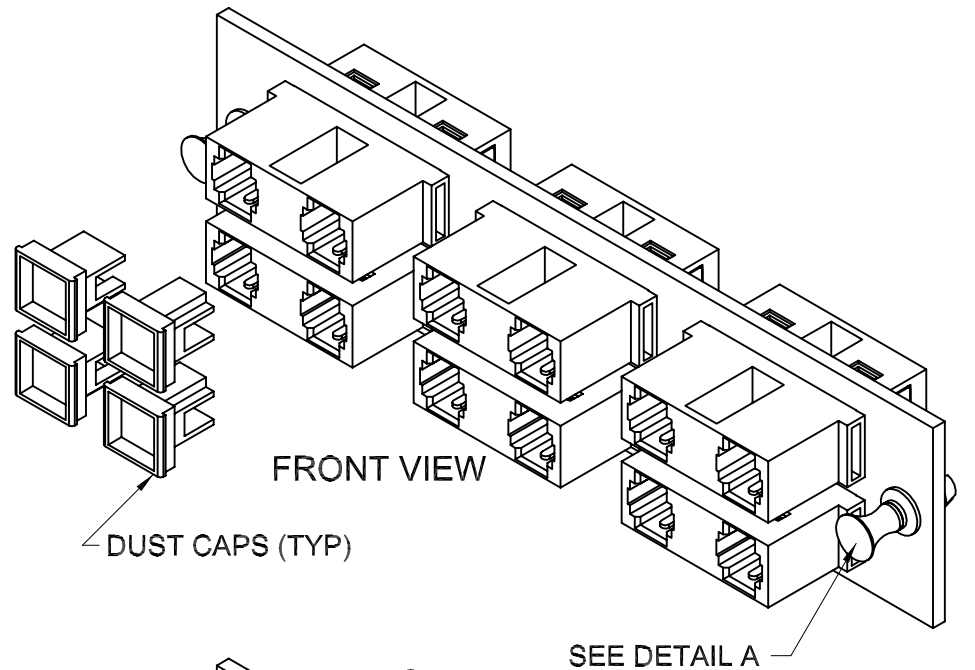
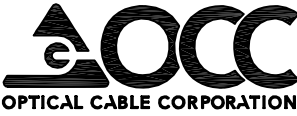


REVISION HISTORY					
REV	SHT	DESCRIPTION	DATE	ECN	CHECKED
A	ALL	RELEASE NEW	7/11/05	NEW	RBS
B	-	UPDATED: ISOMETRIC VIEWS; ADDED: ORTHO VIEWS	5/22/06	-	DAH



6112MMDRJ	ADAPTER PLATE ASSY, DUAL MTRJX6, MM, 12 PORT, OCC
6112SMDRJ	ADAPTER PLATE ASSY, DUAL MTRJX6, SM, 12 PORT, OCC
OPTICAL PART NO.	DESCRIPTION

UNCONTROLLED COPY	
UNLESS OTHERWISE SPECIFIED DIMENSIONS ARE IN INCHES. TOLERANCES: FRACTIONS $\pm 1/32"$ ANGLES $\pm 1/2^\circ$ 3 PLACE DECIMALS $\pm .005"$ 2 PLACE DECIMALS $\pm .01"$	THIS DRAWING AND THE DESIGN SHOWN ARE THE PROPERTY OF OPTICAL CABLE CORPORATION AND MAY NOT BE USED AS THE BASIS FOR MANUFACTURE OR SALE WITHOUT SPECIFIC WRITTEN PERMISSION OF OPTICAL CABLE CORPORATION.
MATERIAL SEE BILL OF MATERIAL	FINISH SEE BILL OF MATERIAL
THIRD ANGLE PROJECTION	
CRITICAL DIMENSION CODE (F) = FUNCTION (M) = MATING (A) = AUDIT	

		5290 Concourse Drive Roanoke, VA 24019 Phone: 800-622-7711 Fax: 540-265-0724 www.occfiber.com	
DWG TITLE <b>CUSTOMER DRAWING, ADAPTER PLATE ASSY, OCC, DUAL MTRJX6, 12 PORT</b>			
SIZE	DWG NO.	REV	
B	C106774	B	
SCALE:	NONE	SHEET	1 OF 1
FILENAME	C106774B.DFT		

DRAWN	D.A.HOLBERT	DATE	7/11/05
CHECKED	R.B.SMITH	DATE	7/12/05
ENGINEER	J.YANIK	DATE	7/11/05
APPROVED	R.B.SMITH	DATE	5/22/06
PREVIOUS DWG			
NEXT DWG			