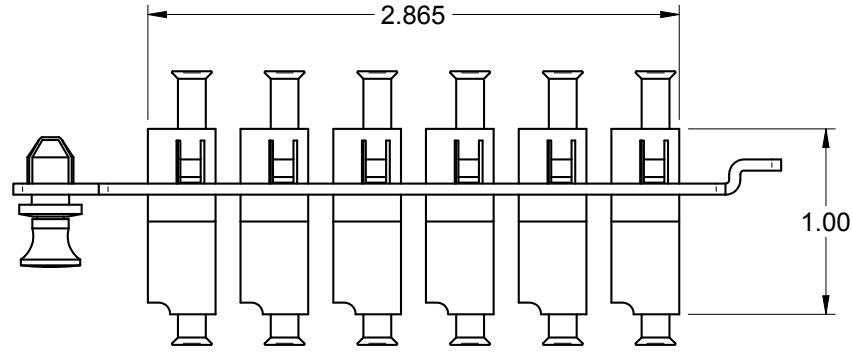
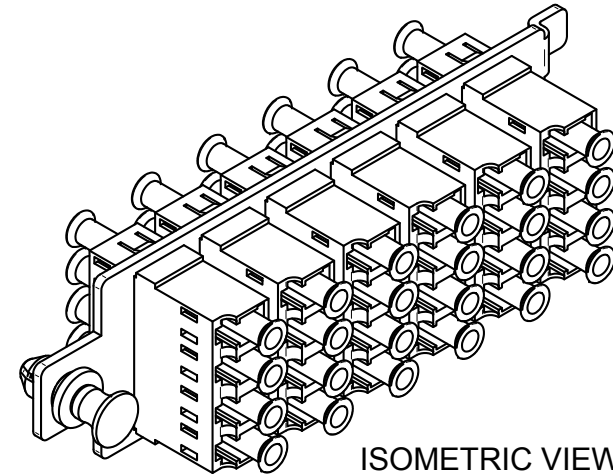


"OPTICAL CABLE CORPORATION (OCC)  
RESERVES THE RIGHT TO REVISE ANY  
ADAPTER ASSEMBLY SPECIFICATIONS."

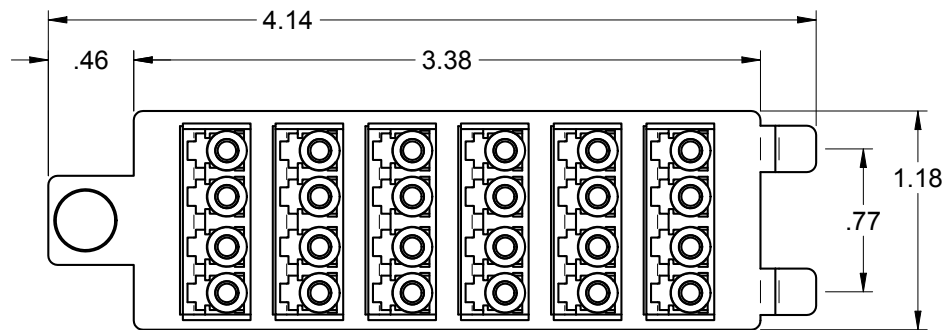
REVISION HISTORY				
REV	SHT	DESCRIPTION	DATE	CHECKED
A	ALL	RELEASE NEW	3/11/14	JH



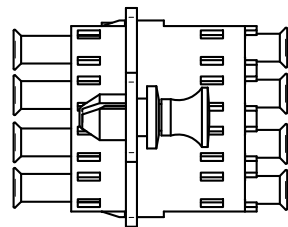
TOP VIEW



ISOMETRIC VIEW



FRONT VIEW



LEFT SIDE

6124QLC50QHD	ADAPTER PLATE ASSY, QLCX6, 24 PORT, 50µm OM4, HD, OCC
6124QLC50GHD	ADAPTER PLATE ASSY, QLCX6, 24 PORT, 50µm OM3, HD, OCC
6124MMQLCHD	ADAPTER PLATE ASSY, QLCX6, 24 PORT, MM, HD, OCC
6124QLCHD	ADAPTER PLATE ASSY, QLCX6, 24 PORT, SM/MM, HD, OCC
6124SMQLCHD	ADAPTER PLATE ASSY, QLCX6, 24 PORT, SM, HD, OCC
6124QLCAPCHD	ADAPTER PLATE ASSY, QLCAPCX6, 24 PORT, SM, HD, OCC
OCC PART NO.	DESCRIPTION

NOTES: UNLESS OTHERWISE SPECIFIED.

- EACH ADAPTER PLATE ASSEMBLY IS SUPPLIED WITH COMPONENTS SHOWN.
- ADAPTER SPECIFICATIONS (MULTIMODE) 50µm, 50µm 10 GIG, 62.5µm  
INSERTION LOSS (AVERAGE): PHOSPHOR BRONZE SLEEVE: ≤ 0.3 dB MAX.  
SLEEVE/FERRULE WITHDRAWAL FORCE: 2.0N ~ 5.9N (200gf ~ 600gf)
- ADAPTER SPECIFICATIONS (SINGLEMODE)  
INSERTION LOSS (AVERAGE): ZIRCONIA CERAMIC SLEEVE: ≤ 0.2 dB MAX.  
SLEEVE/FERRULE WITHDRAWAL FORCE: 2.0N ~ 5.9N (200gf ~ 600gf)

**UNCONTROLLED COPY**

THIRD ANGLE PROJECTION	
CRITICAL DIMENSION CODE	(F) = FUNCTION (M) = MATING (A) = AUDIT

UNCONTROLLED COPY	
UNLESS OTHERWISE SPECIFIED DIMENSIONS ARE IN INCHES. TOLERANCES: FRACTIONS ±1/32" ANGLES ±1/2" 3 PLACE DECIMALS ±.005" 2 PLACE DECIMALS ±.01"	
MATERIAL	PLATE: 16 GAGE CRS (.060 THICK) ADAPTER: SEE BILL OF MATERIAL
FINISH	PLATE: POWDER COAT BLACK PER OCC SPEC# 10002501
DRAWN	D.A.HOLBERT
CHECKED	S.PORACH
ENGINEER	J.YANIK
APPROVED	J.HOWE
PREVIOUS DWG	
NEXT DWG	



5290 Concourse Drive  
Roanoke, VA 24019  
Phone: 800-622-7711  
Fax: 540-265-0724  
www.occfiber.com

DWG TITLE		CUSTOMER DRAWING, ADAPTER PLATE ASSY, HD, QUAD LC, 24P, SM/MM, OCC	
SIZE	B	DWG NO.	<b>C111695</b>
REV	A	SCALE:	NONE
SHEET		1 OF 1	

FILENAME	C111695A.DFT	SHEET	1 OF 1
----------	--------------	-------	--------