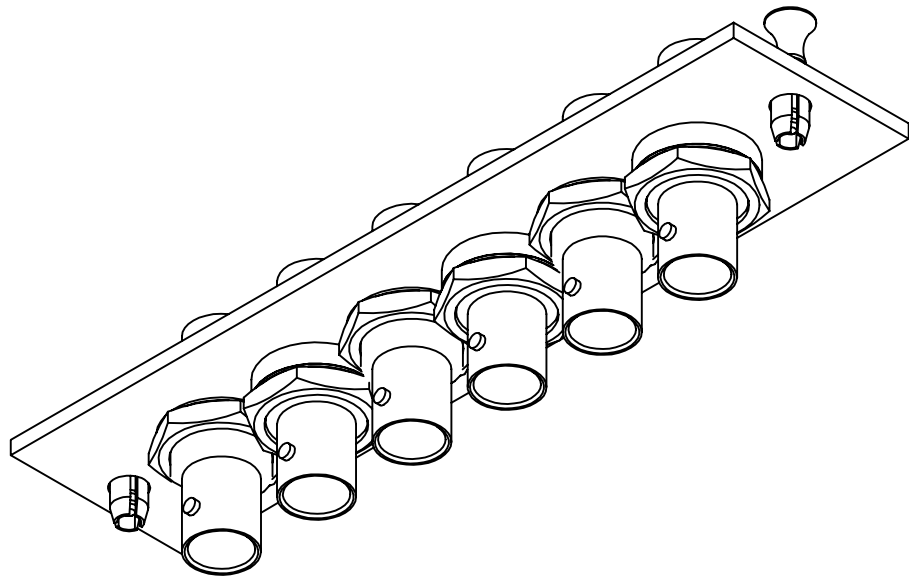
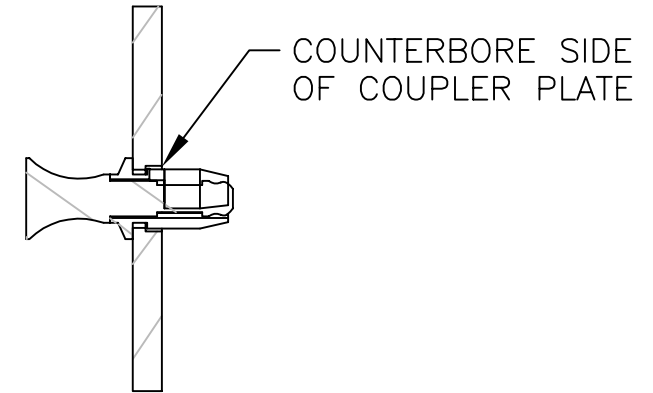
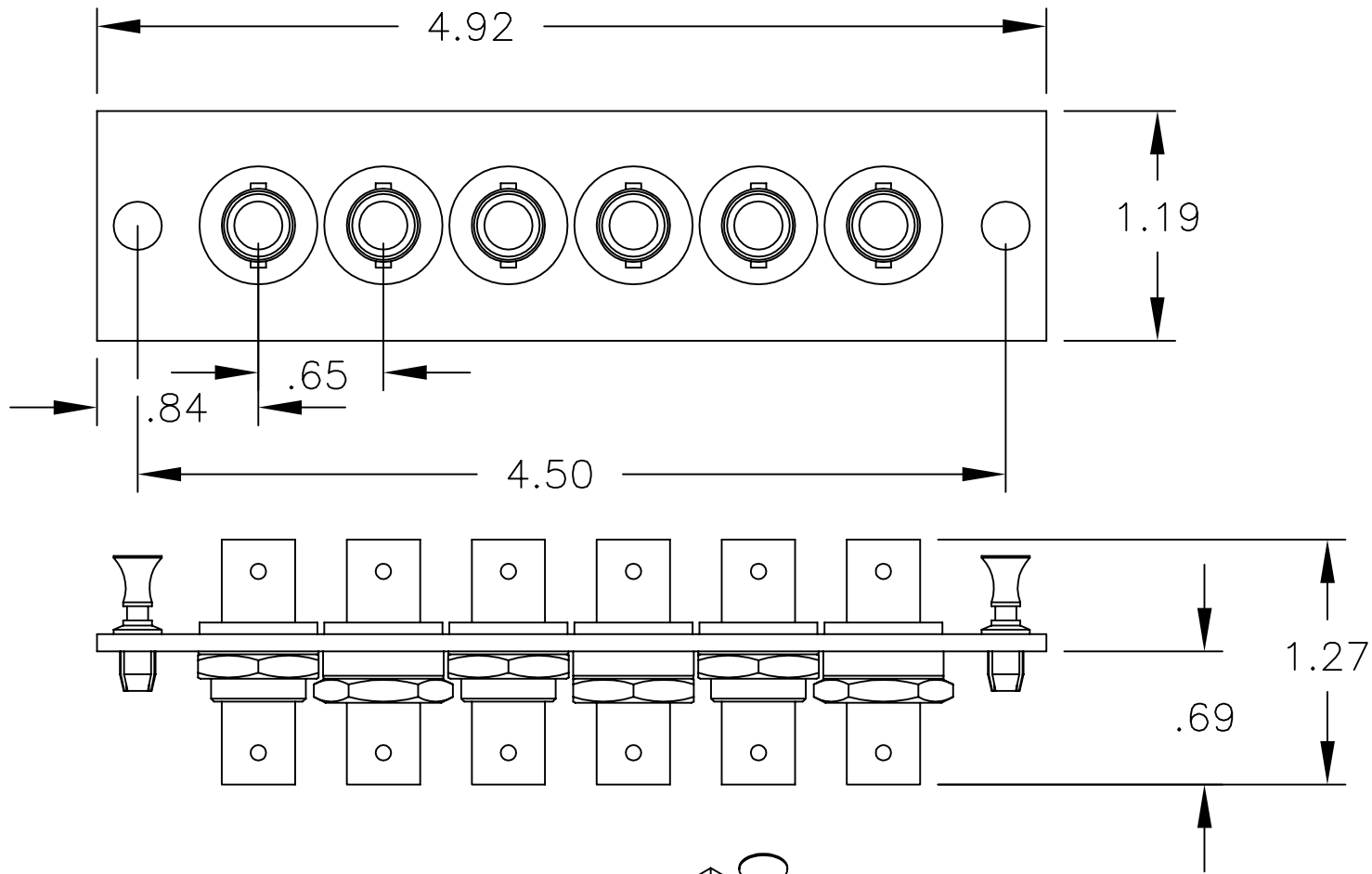


REV		SHT	DESCRIPTION	DATE	ECN	CHECKED
A	ALL	RELEASE	NEW	12/10/01	NEW	RBS

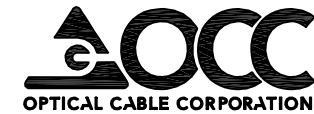


616BNC	PLATE, COUPLER ASSY, 6 PORT, BNC, LOADED
OCC PART NO.	DESCRIPTION

**UNCONTROLLED COPY**

UNLESS OTHERWISE SPECIFIED  
DIMENSIONS ARE IN INCHES  
TOLERANCES:  
FRACTIONS ±1/32"  
ANGLES ±1/2"  
3 PLACE DECIMALS ±.005"  
2 PLACE DECIMALS ±.01"

THIS DRAWING AND THE DESIGN SHOWN ARE THE  
PROPERTY OF OPTICAL CABLE CORPORATION AND  
MAY NOT BE USED AS THE BASIS FOR MANU-  
FACTURE OR SALE WITHOUT SPECIFIC WRITTEN  
PERMISSION OF OPTICAL CABLE CORPORATION.



5290 Concourse Drive  
Roanoke, VA 24019  
Phone: 800-622-7711  
Fax: 540-265-0724  
www.occfiber.com



MATERIAL  
PLATE:  
.090 THK ALUMINUM

CRITICAL DIMENSION CODE  
Ⓢ = FUNCTION  
Ⓜ = MATING  
Ⓐ = AUDIT

FINISH  
PLATE: PAINTED PER  
OCC SPEC 10002501

DRAWN BY	D.A.HOLBERT	DATE	12/10/01
CHECKED BY	R.B.SMITH	DATE	1/23/02
ENGINEER	J.YANIK	DATE	12/10/01
APPROVED	H.JOHNSON	DATE	3/11/10
PREVIOUS DWG			
NEXT DWG			

DWG TITLE  
COUPLER PLATE ASSY,  
BNC, 6 PORT

SIZE	B	DWG NO.	C103417	REV	A
------	---	---------	---------	-----	---

FILENAME	C103417A.DWG	SCALE	NONE	SHEET	1 OF 1
----------	--------------	-------	------	-------	--------