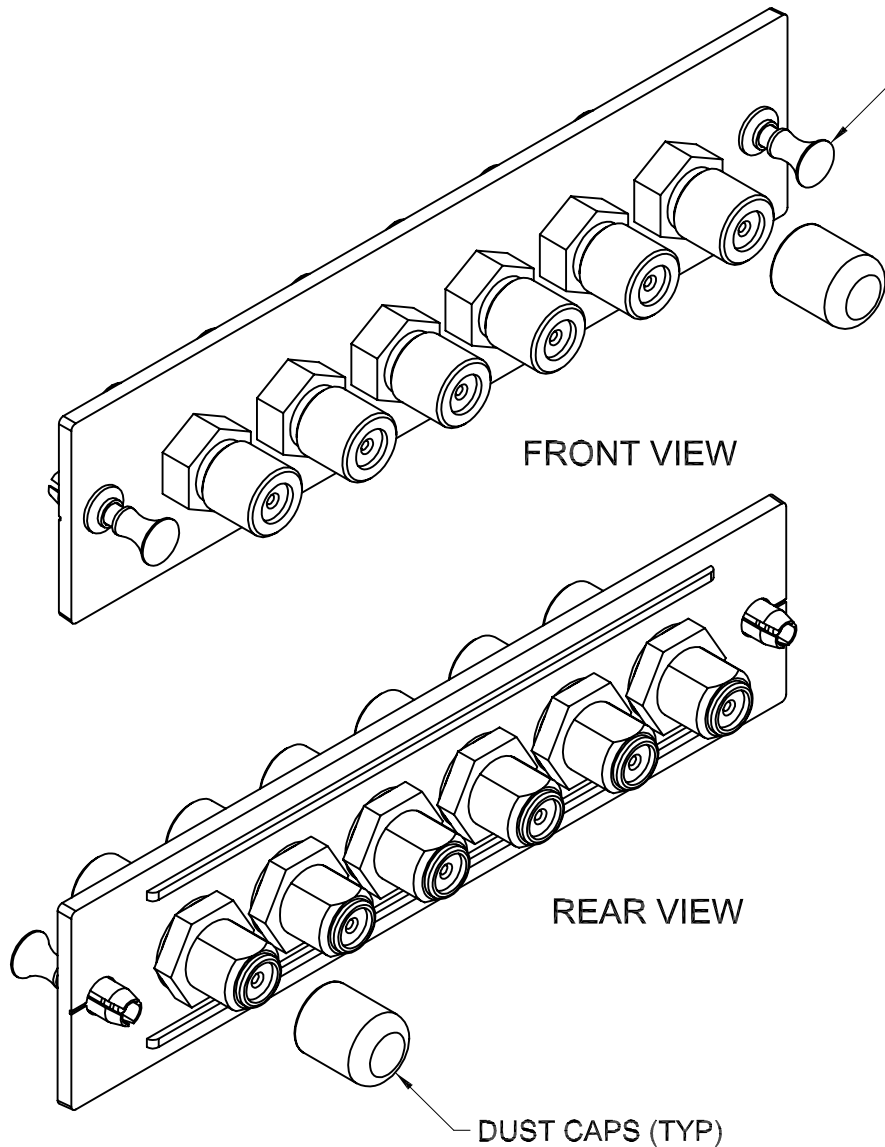


REVISION HISTORY				
REV	SHT	DESCRIPTION	DATE	CHECKED
A	ALL	RELEASE NEW	5/16/03	RBS
B	-	CHGD: PLATE FROM ALUMINUM TO GLASS FILLED PLASTIC	5/22/06	DAH

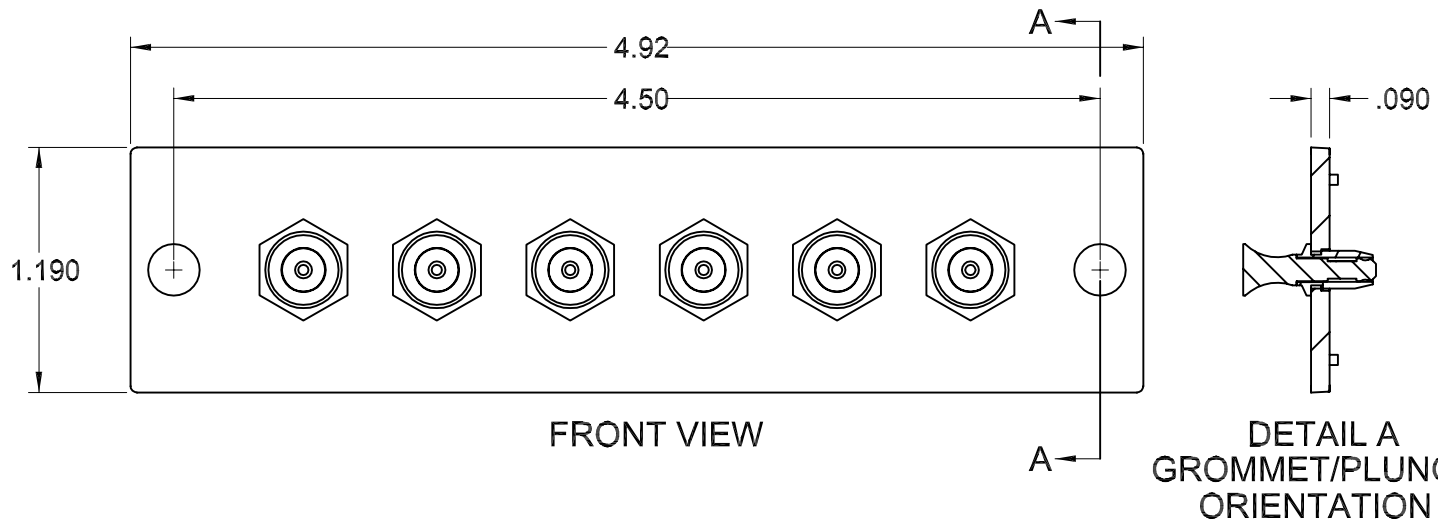
SEE DETAIL A



FRONT VIEW

REAR VIEW

DUST CAPS (TYP)



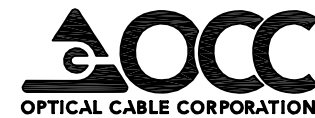
FRONT VIEW

DETAIL A  
GROMMET/PLUNGER  
ORIENTATION

616F	ADAPTER PLATE ASSY, F, F/F, 6 PORT, OCC
OPTICAL PART NO.	DESCRIPTION

**UNCONTROLLED COPY**

UNLESS OTHERWISE SPECIFIED DIMENSIONS ARE IN INCHES.  
TOLERANCES: FRACTIONS  $\pm 1/32"$   
ANGLES  $\pm 1/2^\circ$   
3 PLACE DECIMALS  $\pm .005"$   
2 PLACE DECIMALS  $\pm .01"$



5290 Concourse Drive  
Roanoke, VA 24019  
Phone: 800-622-7711  
Fax: 540-265-0724  
www.occfiber.com

THIRD ANGLE PROJECTION

CRITICAL DIMENSION CODE  
(F) = FUNCTION  
(M) = MATING  
(A) = AUDIT

MATERIAL  
SEE BILL OF MATERIAL

FINISH  
SEE BILL OF MATERIAL

DRAWN	D.A.HOLBERT	DATE	5/16/03
CHECKED	R.B.SMITH	DATE	5/19/03
ENGINEER	J.YANIK	DATE	5/16/03
APPROVED	R.B.SMITH	DATE	5/22/06
PREVIOUS DWG			
NEXT DWG		FILENAME	C103396B.DFT

DWG TITLE				CUSTOMER DRAWING, ADAPTER PLATE ASSY, F, F/F, 6 PORT, OCC	
SIZE	DWG NO.	REV			
B	C103396	B			
SCALE:	NONE	SHEET	1 OF 1		