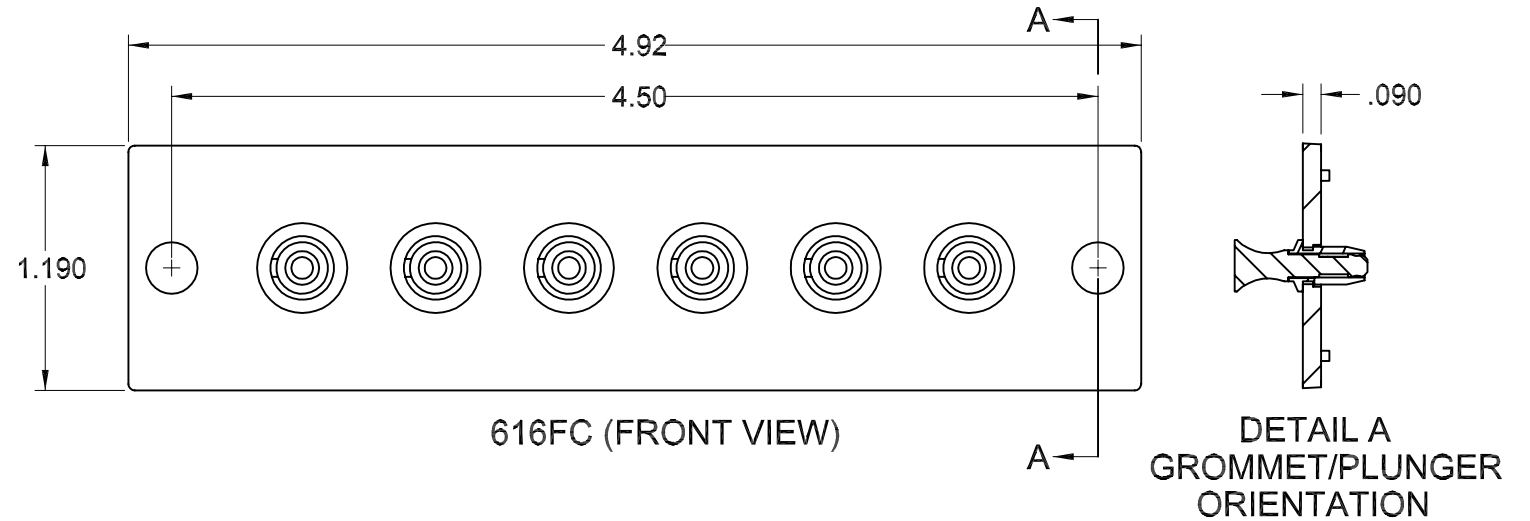
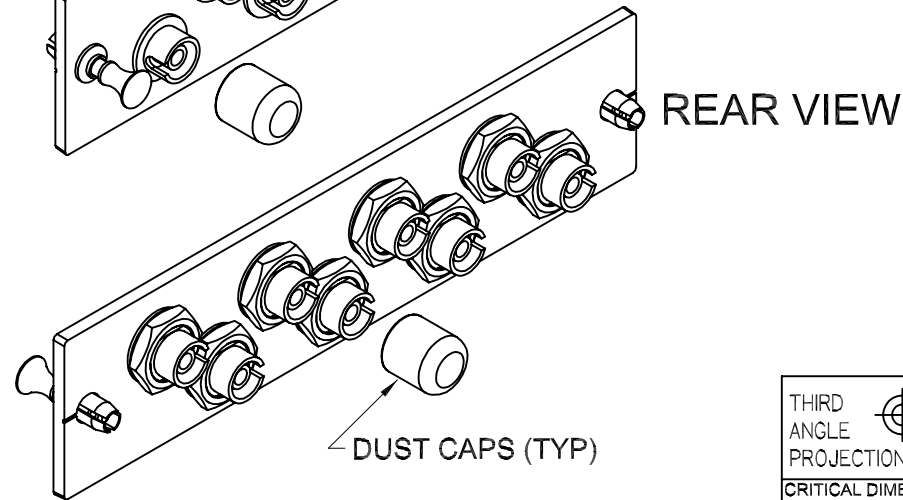
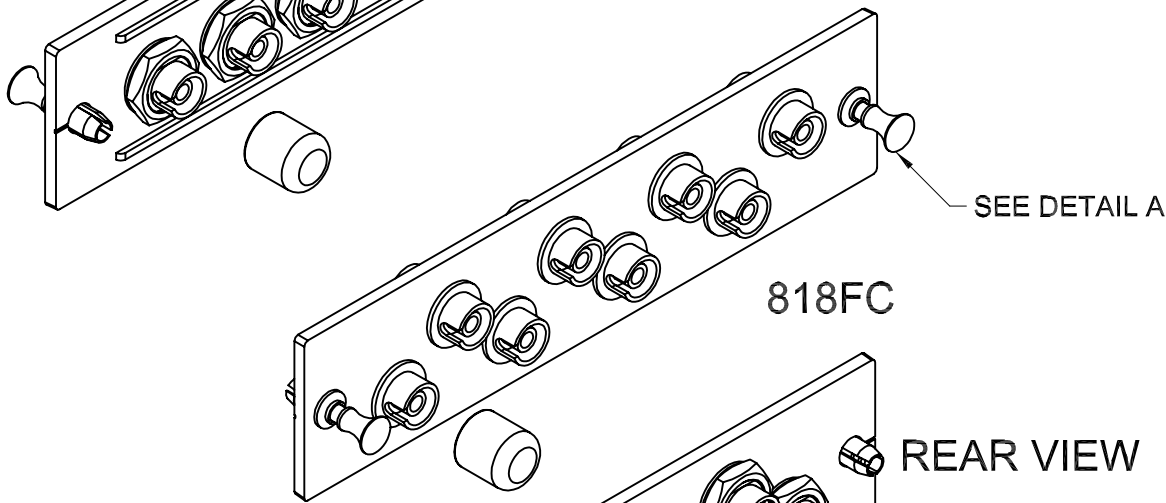
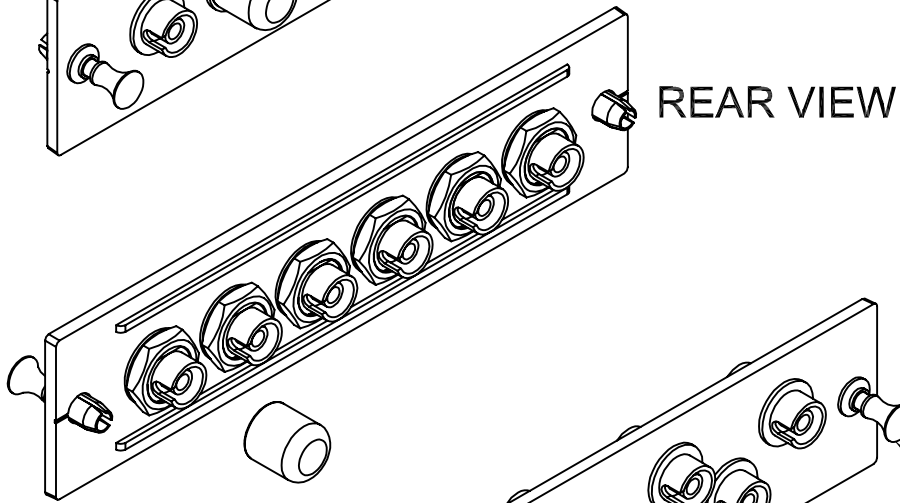
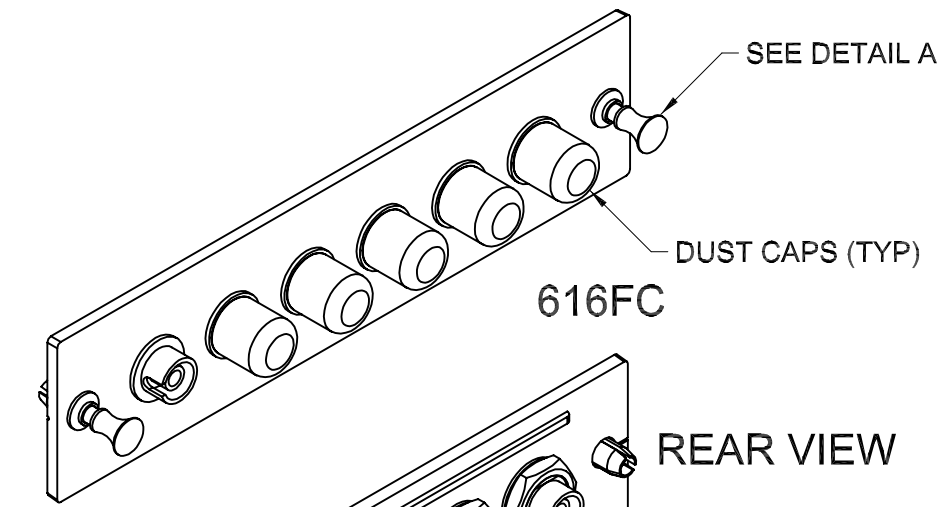


REVISION HISTORY					
REV	SHT	DESCRIPTION	DATE	ECN	CHECKED
A	ALL	RELEASE NEW	2/25/04	NEW	RBS
B	-	CHGD: PLATE FROM ALUMINUM TO GLASS FILLED PLASTIC	5/22/06	-	DAH
C	-	REMOVED: SPANNER NUTS FROM EIGHT PLACES	9/10/07	-	DAH



NOTES: UNLESS OTHERWISE SPECIFIED.

1. EACH FIBER ADAPTER KIT IS SUPPLIED WITH COMPONENTS SHOWN.
2. ADAPTER SPECIFICATIONS (MULTIMODE) 50 μ m, 50 μ m 10 GIG, 62.5 μ m
INSERTION LOSS (AVERAGE): PHOSPHOR BRONZE SLEEVE: ≤ 0.3 dB MAX.
SLEEVE/FERRULE WITHDRAWAL FORCE: 2.0N ~ 5.9N (200gf ~ 600gf)
3. ADAPTER SPECIFICATIONS (SINGLEMODE)
INSERTION LOSS (AVERAGE): ZIRCONIA CERAMIC SLEEVE: ≤ 0.2 dB MAX.
SLEEVE/FERRULE WITHDRAWAL FORCE: 2.0N ~ 5.9N (200gf ~ 600gf)

818FC	ADAPTER PLATE ASSY, FC, SM/MM, 8 PORT, OCC
616FC	ADAPTER PLATE ASSY, FC, SM/MM, 6 PORT, OCC
OPTICAL PART NO.	DESCRIPTION

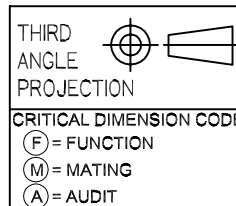
UNCONTROLLED COPY

UNLESS OTHERWISE SPECIFIED
DIMENSIONS ARE IN INCHES.
TOLERANCES: FRACTIONS $\pm 1/32$ "
ANGLES $\pm 1/2$ "
3 PLACE DECIMALS $\pm .005$ "
2 PLACE DECIMALS $\pm .01$ "

THIS DRAWING AND THE DESIGN SHOWN ARE THE
PROPERTY OF OPTICAL CABLE CORPORATION AND
MAY NOT BE USED AS THE BASIS FOR MANU-
FACTURE OR SALE WITHOUT SPECIFIC WRITTEN
PERMISSION OF OPTICAL CABLE CORPORATION.



5290 Concourse Drive
Roanoke, VA 24019
Phone: 800-622-7711
Fax: 540-265-0724
www.occfiber.com



MATERIAL
SEE BILL OF MATERIAL

FINISH
SEE NOTES

DRAWN	D.A.HOLBERT	DATE	2/25/04
CHECKED	R.B.SMITH	DATE	2/27/04
ENGINEER	J.YANIK	DATE	2/25/04
APPROVED	R.B.SMITH	DATE	5/22/06
PREVIOUS DWG			
NEXT DWG		FILENAME	C106620C.DFT

DWG TITLE				CUSTOMER DRAWING, ADAPTER PLATE ASSY, FC, SM/MM, 6 & 8 PORT, OCC		
SIZE	DWG NO.	REV				
B	C106620	C				
SCALE:	NONE	SHEET	1 OF 1			