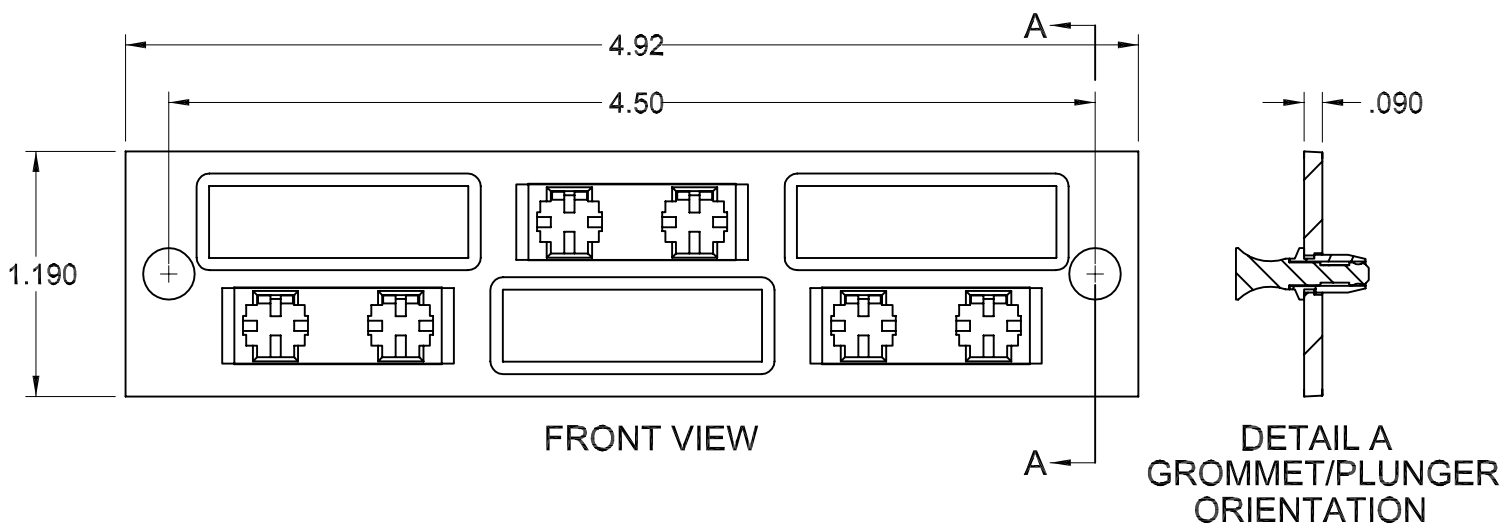
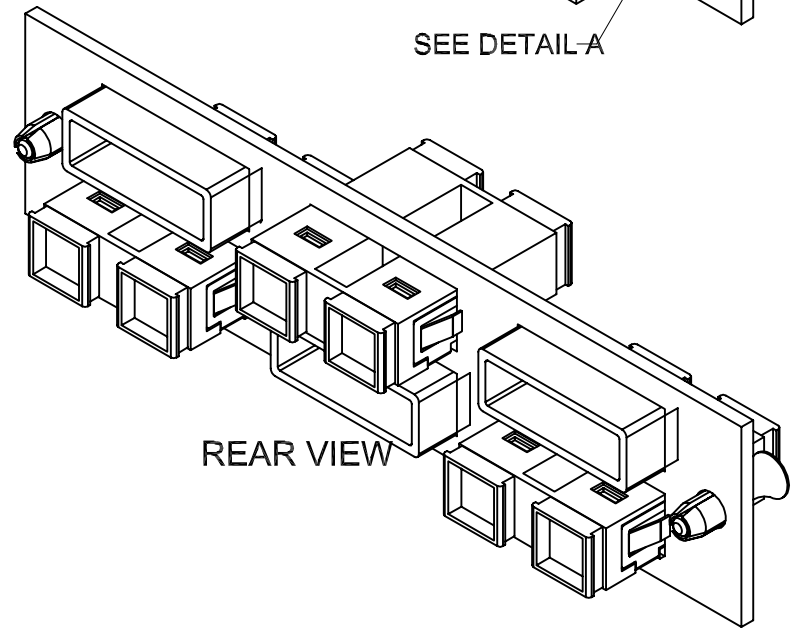
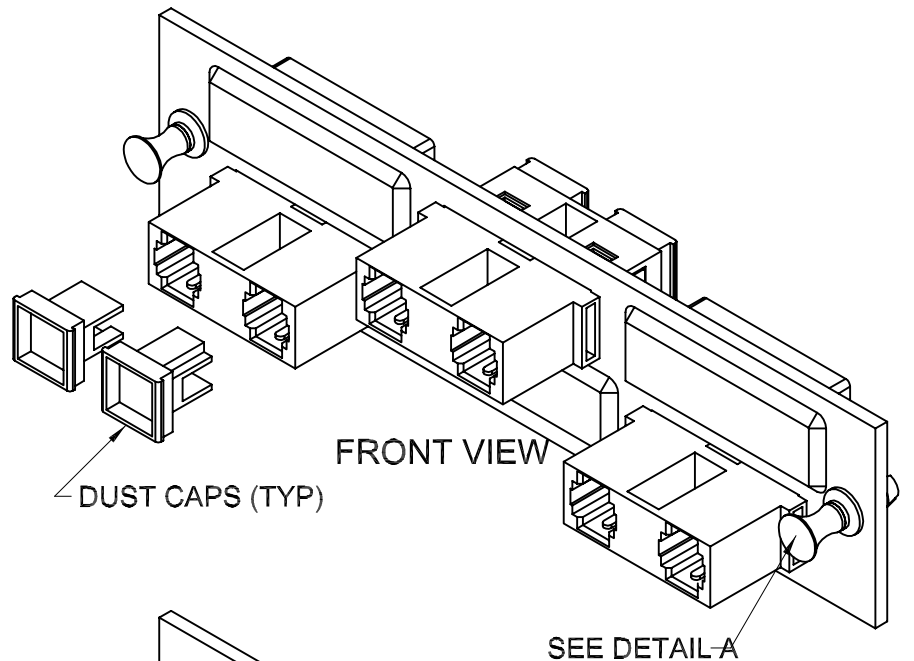
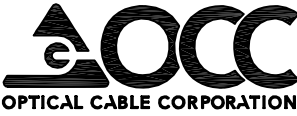


REVISION HISTORY				
REV	SHT	DESCRIPTION	DATE	CHECKED
A	ALL	RELEASE NEW	7/11/05	RBS
B	-	UPDATED: ISOMETRIC VIEWS; ADDED: ORTHO VIEWS	5/22/06	DAH



616MDRJ	ADAPTER PLATE ASSY, DUAL MTRJX3, MM, 6 PORT, OCC
616SMDRJ	ADAPTER PLATE ASSY, DUAL MTRJX3, SM, 6 PORT, OCC
OPTICAL PART NO.	DESCRIPTION

UNCONTROLLED COPY	
UNLESS OTHERWISE SPECIFIED DIMENSIONS ARE IN INCHES. TOLERANCES: FRACTIONS ±1/32" ANGLES ±1/2° 3 PLACE DECIMALS ±.005" 2 PLACE DECIMALS ±.01"	THIS DRAWING AND THE DESIGN SHOWN ARE THE PROPERTY OF OPTICAL CABLE CORPORATION AND MAY NOT BE USED AS THE BASIS FOR MANUFACTURE OR SALE WITHOUT SPECIFIC WRITTEN PERMISSION OF OPTICAL CABLE CORPORATION.
MATERIAL SEE BILL OF MATERIAL	FINISH SEE BILL OF MATERIAL
THIRD ANGLE PROJECTION	

		5290 Concourse Drive Roanoke, VA 24019 Phone: 800-822-7711 Fax: 540-265-0724 www.occfiber.com	
DWG TITLE CUSTOMER DRAWING, ADAPTER PLATE ASSY, OCC, DUAL MTRJX3, 6 PORT			
DRAWN D.A.HOLBERT CHECKED R.B.SMITH ENGINEER J.YANIK APPROVED R.B.SMITH PREVIOUS DWG NEXT DWG	DATE 7/11/05 DATE 7/12/05 DATE 7/11/05 DATE 5/22/06	SIZE B DWG NO. C106761	REV B
FILENAME C106761B.DFT		SCALE: NONE	SHEET 1 OF 1

CRITICAL DIMENSION CODE
 (F) = FUNCTION
 (M) = MATING
 (A) = AUDIT