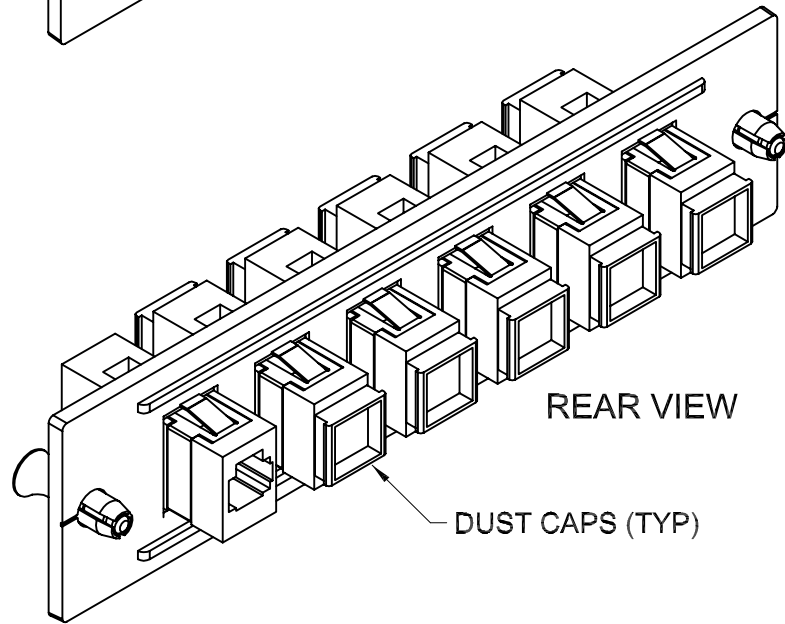
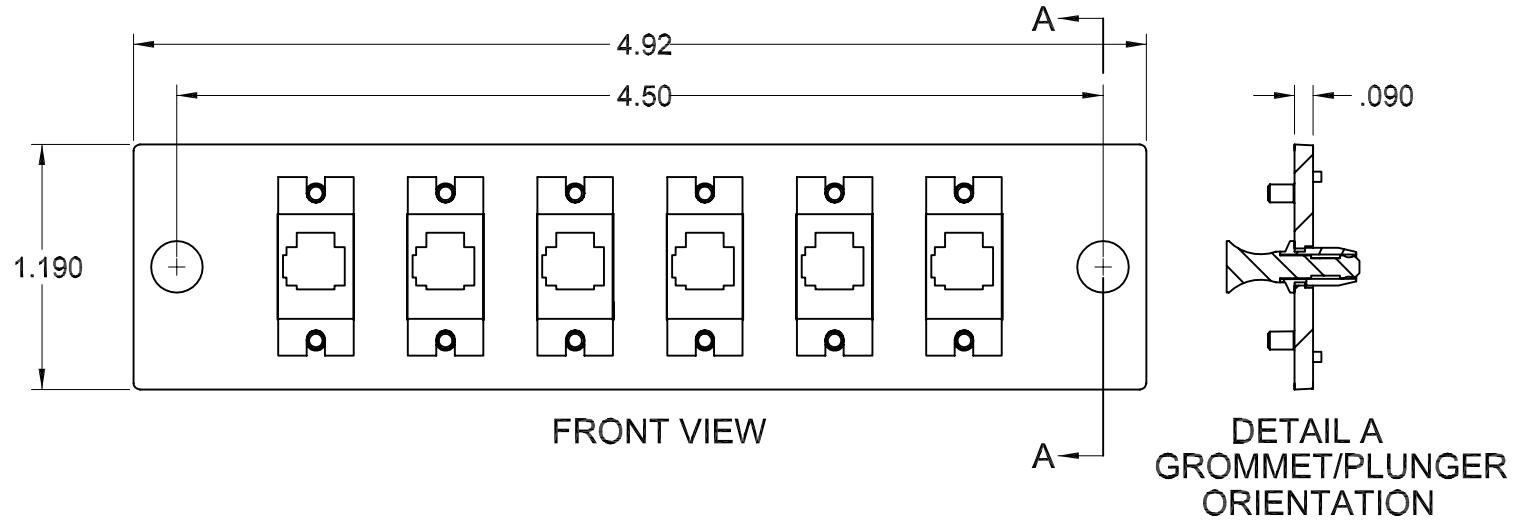
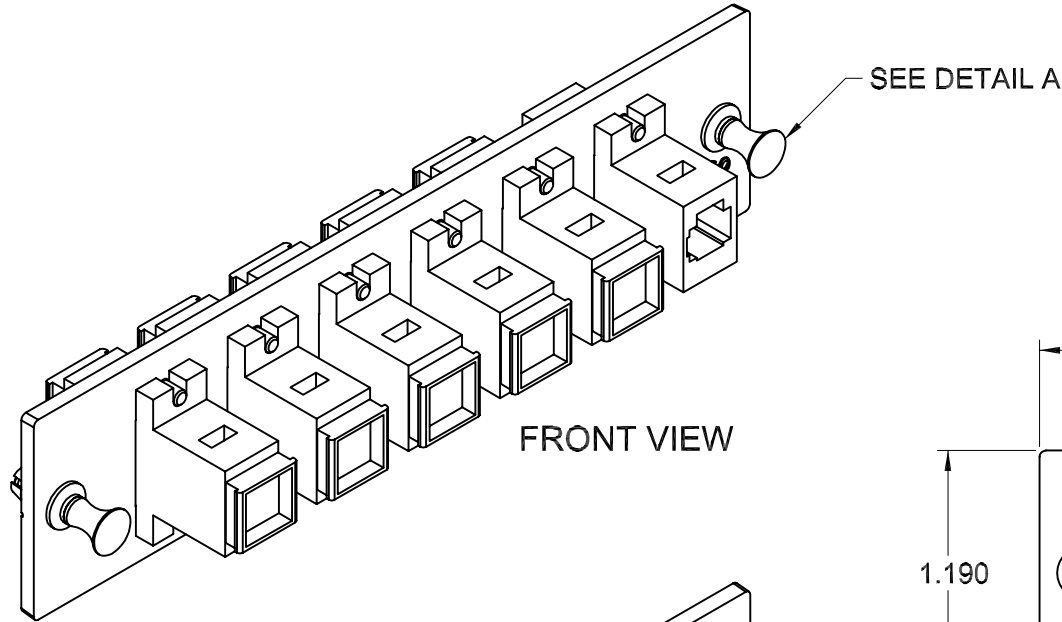


REVISION HISTORY					
REV	SHT	DESCRIPTION	DATE	ECN	CHECKED
A	ALL	RELEASE NEW	2/12/04	NEW	RBS
B	-	CHGD: PLATE FROM ALUMINUM TO GLASS FILLED PLASTIC	5/22/06	-	DAH

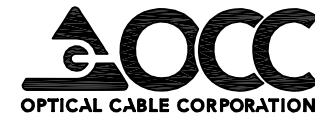


616MMRJ	ADAPTER PLATE ASSY, MTRJ/SC, MM, 6 PORT, OCC
616SMRJ	ADAPTER PLATE ASSY, MTRJ/SC, SM, 6 PORT, OCC
OPTICAL PART NO.	DESCRIPTION

UNCONTROLLED COPY

UNLESS OTHERWISE SPECIFIED
DIMENSIONS ARE IN INCHES.
TOLERANCES: FRACTIONS $\pm 1/32$ "
ANGLES $\pm 1/2^\circ$
3 PLACE DECIMALS $\pm .005$ "
2 PLACE DECIMALS $\pm .01$ "

THIS DRAWING AND THE DESIGN SHOWN ARE THE
PROPERTY OF OPTICAL CABLE CORPORATION AND
MAY NOT BE USED AS THE BASIS FOR MANU-
FACTURE OR SALE WITHOUT SPECIFIC WRITTEN
PERMISSION OF OPTICAL CABLE CORPORATION.



5290 Concourse Drive
Roanoke, VA 24019
Phone: 800-622-7711
Fax: 540-265-0724
www.occfiber.com

THIRD
ANGLE
PROJECTION

CRITICAL DIMENSION CODE
(F) = FUNCTION
(M) = MATING
(A) = AUDIT

MATERIAL
SEE BILL OF MATERIAL

FINISH
SEE BILL OF MATERIAL

DRAWN	D.A.HOLBERT	DATE	2/12/04
CHECKED	R.B.SMITH	DATE	3/4/04
ENGINEER	J.YANIK	DATE	2/12/04
APPROVED	R.B.SMITH	DATE	5/22/06
PREVIOUS DWG			
NEXT DWG		FILENAME	C106472B.DFT

DWG TITLE				CUSTOMER DRAWING, ADAPTER PLATE ASSY, OCC, MTRJ, SC FOOTPRINT, 6 PORT		
SIZE	DWG NO.	REV				
B	C106472	B				
SCALE:	NONE	SHEET	1 OF 1			