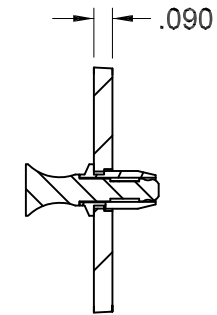
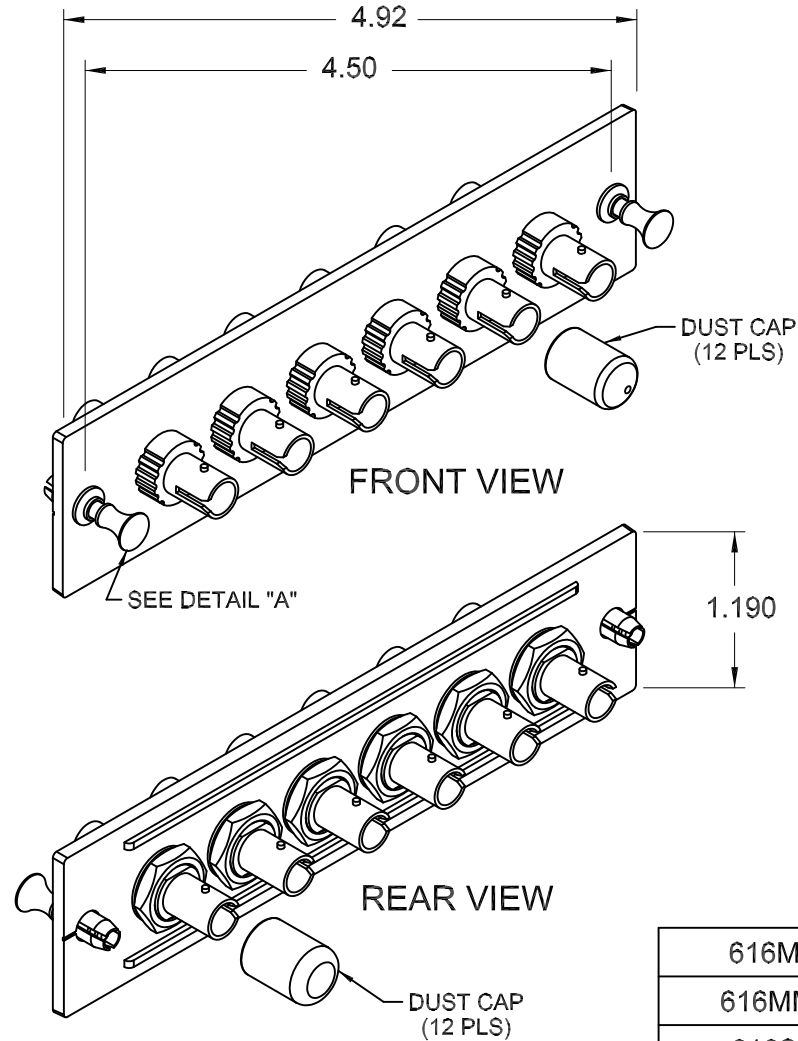
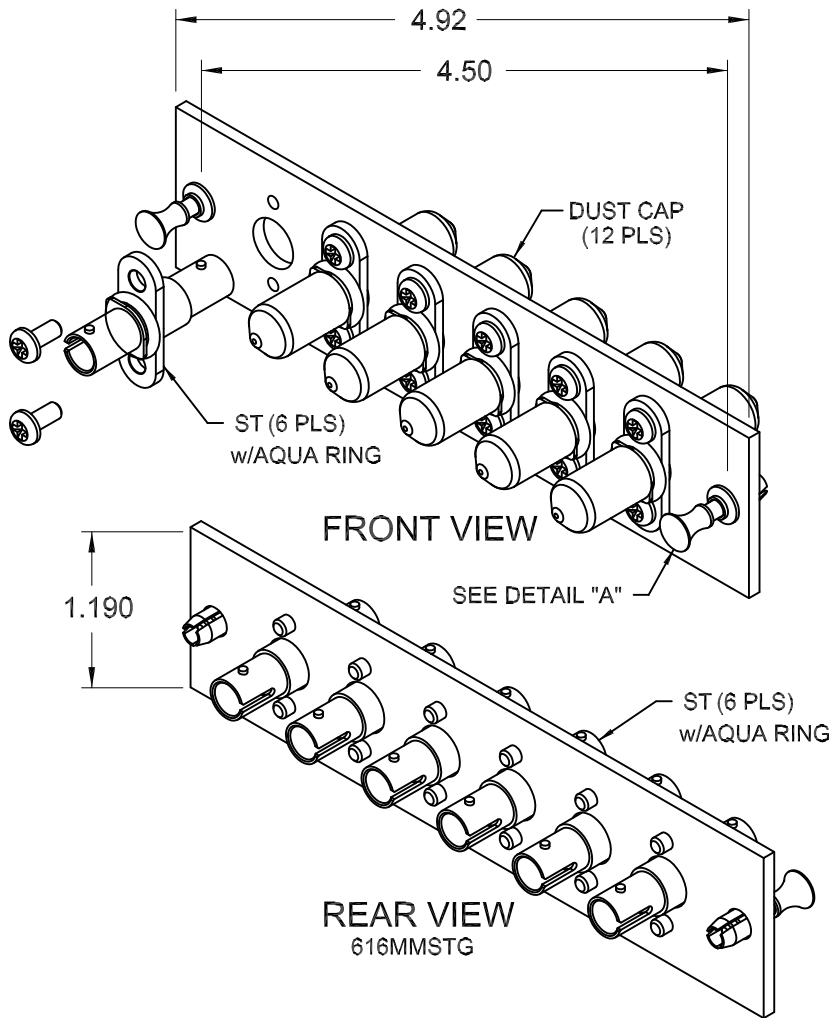


REVISION HISTORY					
REV	SHT	DESCRIPTION	DATE	ECN	CHECKED
A	ALL	RELEASE NEW	12/10/06	NEW	RBS
B	-	CHGD: PLATE FROM ALUMINUM TO GLASS FILLED PLASTIC	5/22/08	-	DAH
H	-	ADDED: ST-SM (BLACK DUST CAP) ADAPTER OPTION	1/25/12	-	RBS



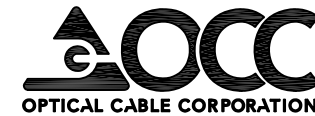
DETAIL A
GROMMET/PLUNGER
ORIENTATION

616MMST	ADAPTER PLATE ASSY, ST, MM, 6 PORT, OCC
616MMSTG	ADAPTER PLATE ASSY, ST), 50µm 10G, 6 PORT, OCC
616SMST	ADAPTER PLATE ASSY, ST, SM, 6 PORT, OCC
616ST	ADAPTER PLATE ASSY, ST, SM/MM, 6 PORT, OCC
OCC PART NO.	DESCRIPTION

NOTES: UNLESS OTHERWISE SPECIFIED.

- EACH FIBER ADAPTER KIT IS SUPPLIED WITH COMPONENTS SHOWN.
- ADAPTER SPECIFICATIONS (MULTIMODE) 50µm, 50µm 10 GIG, 62.5µm
INSERTION LOSS (AVERAGE): PHOSPHOR BRONZE SLEEVE: ≤ 0.3 dB MAX.
SLEEVE/FERRULE WITHDRAWAL FORCE: 2.0N ~ 5.9N (200gf ~ 600gf)
- ADAPTER SPECIFICATIONS (SINGLEMODE)
INSERTION LOSS (AVERAGE): ZIRCONIA CERAMIC SLEEVE: ≤ 0.2 dB MAX.
SLEEVE/FERRULE WITHDRAWAL FORCE: 2.0N ~ 5.9N (200gf ~ 600gf)

UNCONTROLLED COPY					
THIRD ANGLE PROJECTION		MATERIAL SEE BILL OF MATERIAL		UNLESS OTHERWISE SPECIFIED DIMENSIONS ARE IN INCHES TOLERANCES: FRACTIONS ±1/32" ANGLES ±1/2" 3 PLACE DECIMALS ±.005" 2 PLACE DECIMALS ±.01"	
CRITICAL DIMENSION CODE (F) = FUNCTION (M) = MATING (A) = AUDIT		FINISH SEE NOTES		THIS DRAWING AND THE DESIGN SHOWN ARE THE PROPERTY OF OPTICAL CABLE CORPORATION AND MAY NOT BE USED AS THE BASIS FOR MANUFACTURE OR SALE WITHOUT SPECIFIC WRITTEN PERMISSION OF OPTICAL CABLE CORPORATION.	
		DRAWN	D.A.HOLBERT	DATE	12/10/06
		CHECKED	R.B.SMITH	DATE	1/16/06
		ENGINEER	J.YANIK	DATE	12/10/06
		APPROVED	R.B.SMITH	DATE	1/25/12
		PREVIOUS DWG			
		NEXT DWG		FILENAME	C106633H.DFT
		DWG TITLE		SIZE	B
		CUSTOMER DRAWING, ADAPTER PLATE ASSY, ST, SM/MM, 6 PORT, OCC		DWG NO.	C106633
				REV	H
		SCALE:	NONE	SHEET	1 OF 1



5290 Concourse Drive
Roanoke, VA 24019
Phone: 800-622-7711
Fax: 540-265-0724
www.occfiber.com