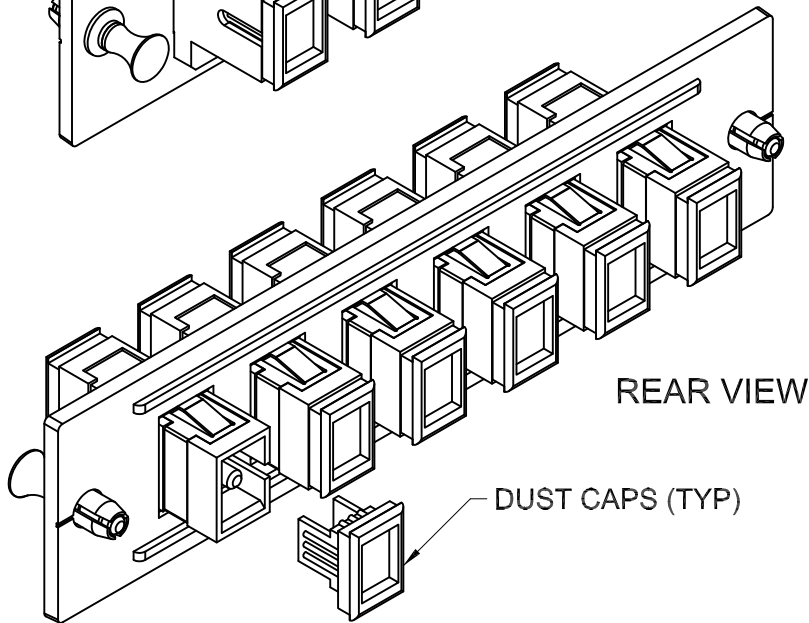
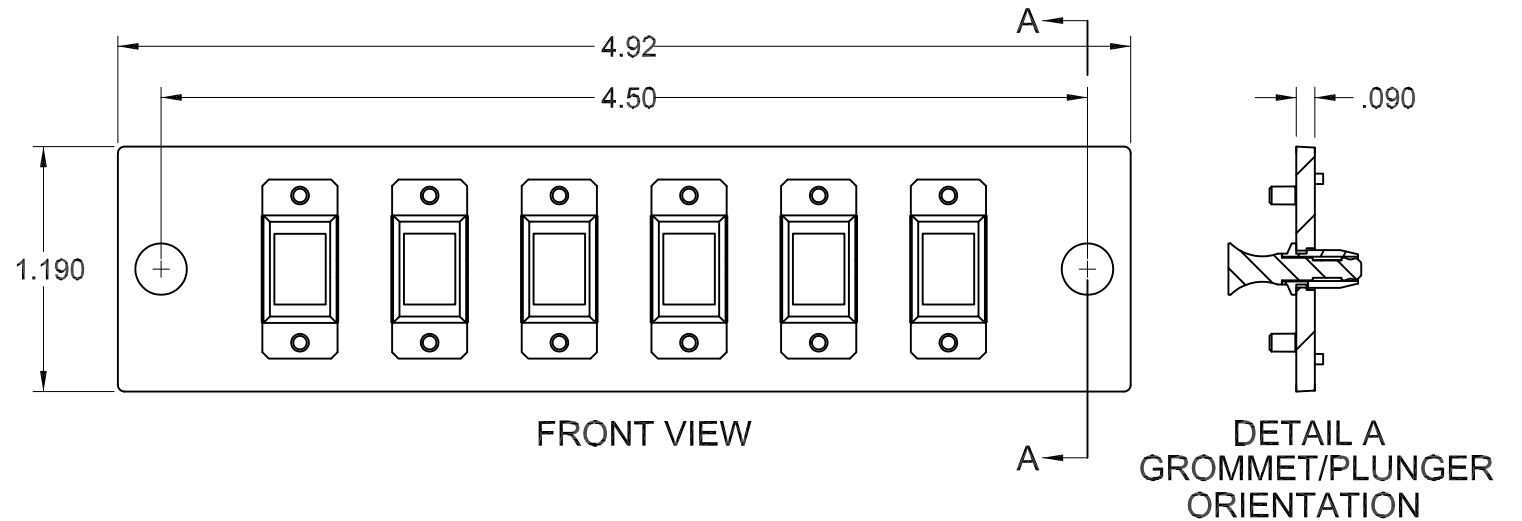
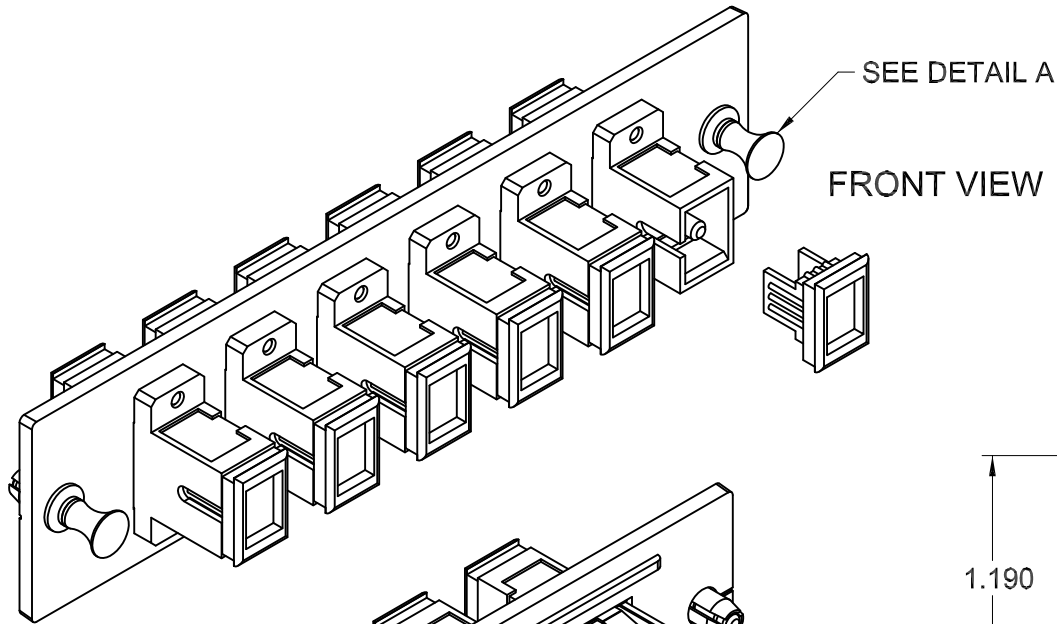


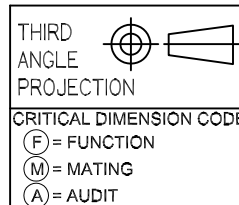
REVISION HISTORY					
REV	SHT	DESCRIPTION	DATE	ECN	CHECKED
A	ALL	RELEASE NEW	6/2/06	NEW	RBS
J	-	ADDED: MORE 6 PORT SC ADAPTER OPTIONS	1/25/12	-	RBS



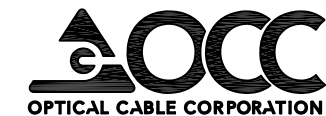
616SCAPC	ADAPTER PLATE ASSY, SCAPCX6, SM, 6 PORT, OCC
616SMSC	ADAPTER PLATE ASSY, SCX6, SM, 6 PORT, OCC
616MMSC	ADAPTER PLATE ASSY, SCX6, MM, 6 PORT, OCC
616SC	ADAPTER PLATE ASSY, SCX6, SM/MM, 6 PORT, OCC
616SC50G	ADAPTER PLATE ASSY, SCX6, 50/125 μm 10 GIG, 6 PORT, OCC
OCC PART NO.	DESCRIPTION

NOTES: UNLESS OTHERWISE SPECIFIED.

- EACH FIBER ADAPTER KIT IS SUPPLIED WITH COMPONENTS SHOWN.
- ADAPTER SPECIFICATIONS (MULTIMODE) 50μm, 50μm 10 GIG, 62.5μm
INSERTION LOSS (AVERAGE): PHOSPHOR BRONZE SLEEVE: ≤ 0.3 dB MAX.
SLEEVE/FERRULE WITHDRAWAL FORCE: 2.0N ~ 5.9N (200gf ~ 600gf)
- ADAPTER SPECIFICATIONS (SINGLEMODE)
INSERTION LOSS (AVERAGE): ZIRCONIA CERAMIC SLEEVE: ≤ 0.2 dB MAX.
SLEEVE/FERRULE WITHDRAWAL FORCE: 2.0N ~ 5.9N (200gf ~ 600gf)



UNCONTROLLED COPY			
UNLESS OTHERWISE SPECIFIED DIMENSIONS ARE IN INCHES. TOLERANCES: FRACTIONS ±1/32" ANGLES ±1/2° 3 PLACE DECIMALS ±.005" 2 PLACE DECIMALS ±.01"		THIS DRAWING AND THE DESIGN SHOWN ARE THE PROPERTY OF OPTICAL CABLE CORPORATION AND MAY NOT BE USED AS THE BASIS FOR MANUFACTURE OR SALE WITHOUT SPECIFIC WRITTEN PERMISSION OF OPTICAL CABLE CORPORATION.	
DRAWN	D.A.HOLBERT	DATE	6/2/06
CHECKED	R.B.SMITH	DATE	6/6/06
ENGINEER	J.YANIK	DATE	6/2/06
APPROVED	R.B.SMITH	DATE	1/25/12
PREVIOUS DWG			
NEXT DWG	FILENAME	C:107711J.DFT	
MATERIAL	SEE BILL OF MATERIAL		
FINISH	SEE BILL OF MATERIAL		



5290 Concourse Drive
Roanoke, VA 24019
Phone: 800-622-7711
Fax: 540-265-0724
www.occfiber.com

DWG TITLE			
CUSTOMER DRAWING, ADAPTER PLATE ASSY, SC, SM/MM, 6 PORT, OCC			
SIZE	DWG NO.	REV	
B	C107711	J	
SCALE:	NONE	SHEET	1 OF 1