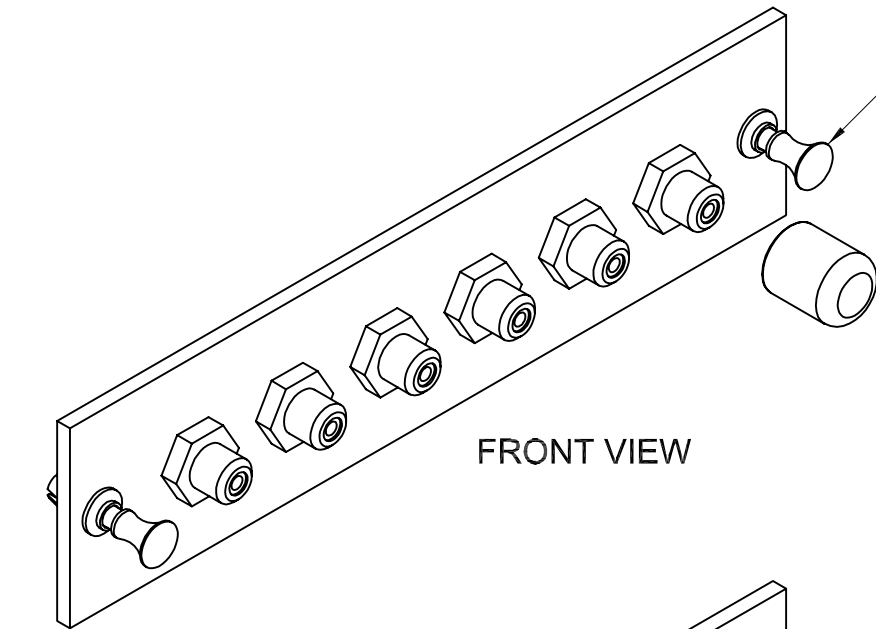
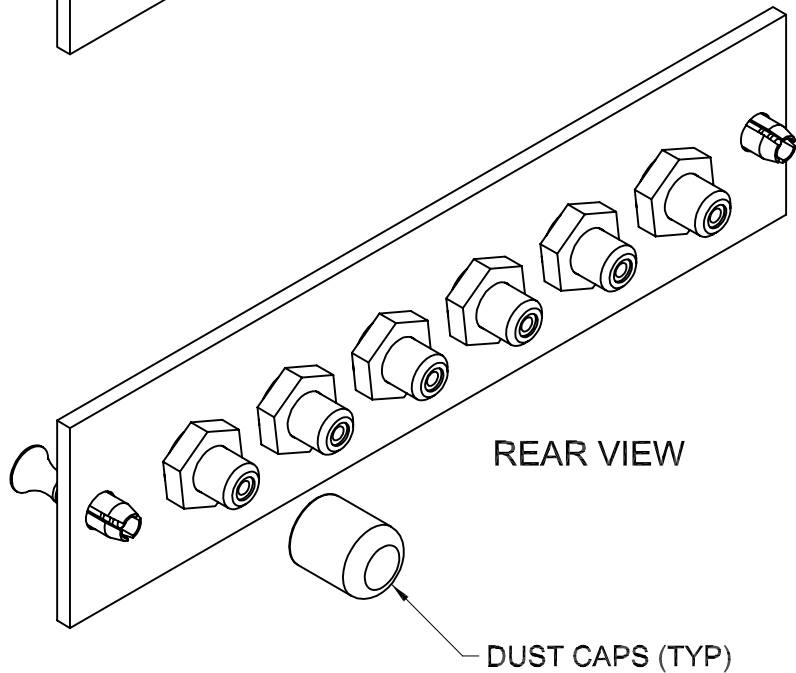
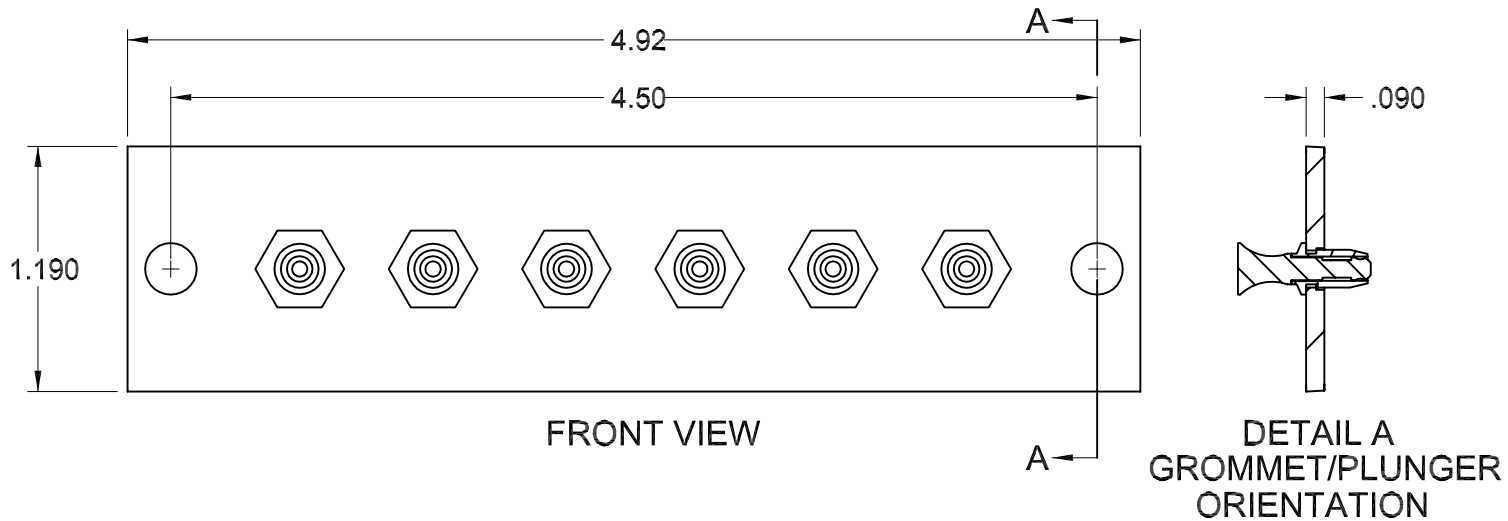


REVISION HISTORY					
REV	SHT	DESCRIPTION	DATE	ECN	CHECKED
A	ALL	RELEASE NEW	7/11/05	NEW	RBS
B	-	UPDATED: ISOMETRIC VIEWS; ADDED: ORTHO VIEWS	5/22/06	-	DAH



FRONT VIEW



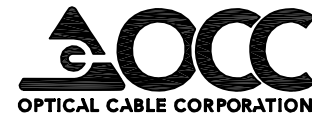
REAR VIEW

616SMA	ADAPTER PLATE ASSY, SMA, 6 PORT, LOADED
OPTICAL PART NO.	DESCRIPTION

**UNCONTROLLED COPY**

UNLESS OTHERWISE SPECIFIED  
DIMENSIONS ARE IN INCHES.  
TOLERANCES: FRACTIONS  $\pm 1/32"$   
ANGLES  $\pm 1/2^\circ$   
3 PLACE DECIMALS  $\pm .005"$   
2 PLACE DECIMALS  $\pm .01"$

THIS DRAWING AND THE DESIGN SHOWN ARE THE  
PROPERTY OF OPTICAL CABLE CORPORATION  
AND MAY NOT BE USED AS THE BASIS FOR MANU-  
FACTURE OR SALE WITHOUT SPECIFIC WRITTEN  
PERMISSION OF OPTICAL CABLE CORPORATION.



5290 Concourse Drive  
Roanoke, VA 24019  
Phone: 800-622-7711  
Fax: 540-265-0724  
www.occfiber.com

DRAWN	D.A.HOLBERT	DATE	7/11/05
CHECKED	R.B.SMITH	DATE	7/12/05
ENGINEER	J.YANIK	DATE	7/11/05
APPROVED	R.B.SMITH	DATE	5/22/06
PREVIOUS DWG			
NEXT DWG		FILENAME	C103418B.DFT

DWG TITLE			CUSTOMER DRAWING, ADAPTER PLATE ASSY, SMA COUPLER, 6 PORT		
SIZE	DWG NO.	REV			
B	C103418	B			
SCALE:	NONE	SHEET	1 OF 1		

THIRD ANGLE PROJECTION	
CRITICAL DIMENSION CODE	
(F) = FUNCTION	
(M) = MATING	
(A) = AUDIT	

MATERIAL	SEE BILL OF MATERIAL
FINISH	SEE BILL OF MATERIAL