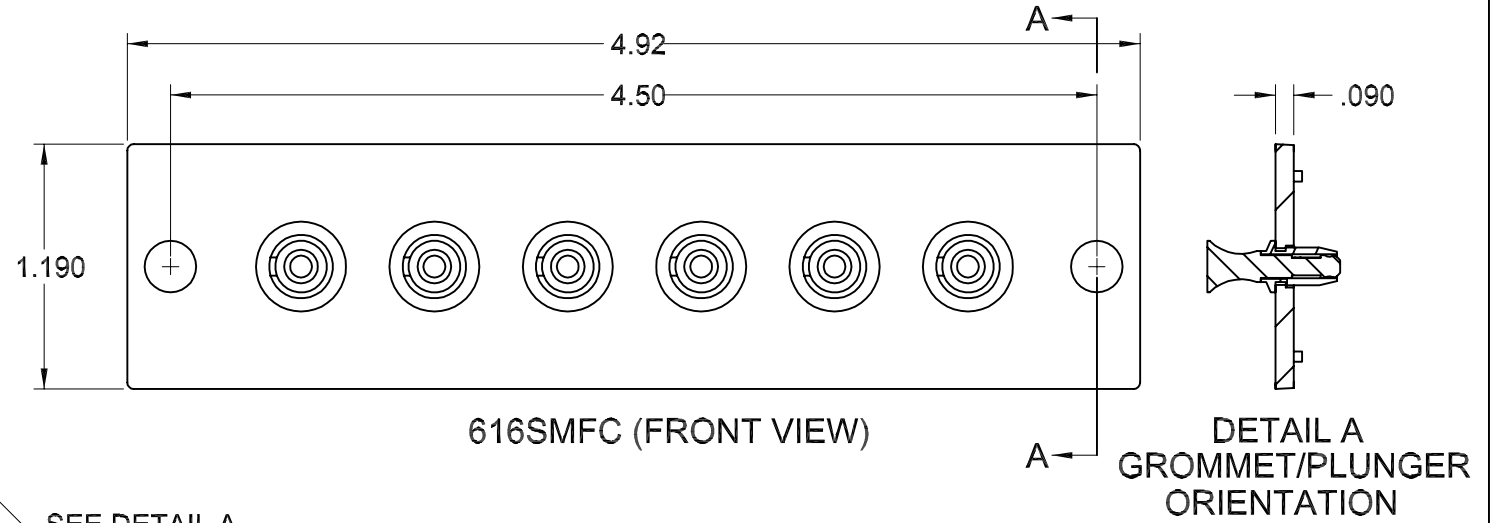
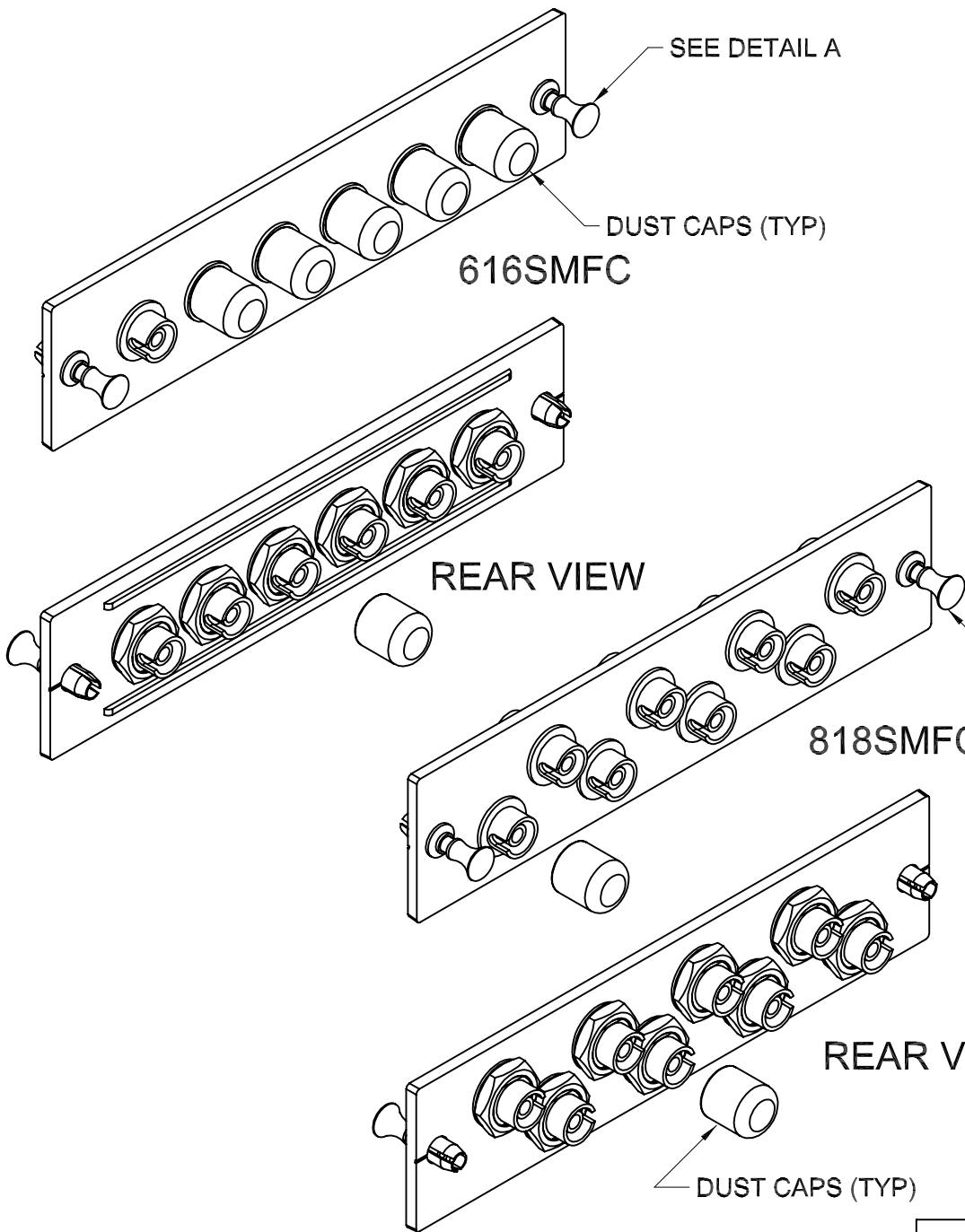


REVISION HISTORY					
REV	SHT	DESCRIPTION	DATE	ECN	CHECKED
A	ALL	RELEASE NEW	5/28/03	NEW	RBS
B	-	UPDATED: DRAWING VIEWS	1/15/04	-	DAH
C	-	CHGD: PLATE FROM ALUMINUM TO GLASS FILLED PLASTIC	5/22/06	-	DAH
D	-	REMOVED: SPANNER NUT ON EIGHT PLACES	9/10/07	-	DAH



NOTES: UNLESS OTHERWISE SPECIFIED.

1. EACH FIBER ADAPTER KIT IS SUPPLIED WITH COMPONENTS SHOWN.
2. ADAPTER SPECIFICATIONS (MULTIMODE) 50μm, 50μm 10 GIG, 62.5μm  
 INSERTION LOSS (AVERAGE): PHOSPHOR BRONZE SLEEVE: ≤0.3 dB MAX.  
 SLEEVE/FERRULE WITHDRAWAL FORCE: 2.0N ~ 5.9N (200gf ~ 600gf)
3. ADAPTER SPECIFICATIONS (SINGLEMODE)  
 INSERTION LOSS (AVERAGE): ZIRCONIA CERAMIC SLEEVE: ≤0.2 dB MAX.  
 SLEEVE/FERRULE WITHDRAWAL FORCE: 2.0N ~ 5.9N (200gf ~ 600gf)

818SMFC	ADAPTER PLATE ASSY, FC, SM, 8 PORT, CERAMIC, OCC
616SMFC	ADAPTER PLATE ASSY, FC, SM, 6 PORT, CERAMIC, OCC
OCC PART NO.	DESCRIPTION

UNCONTROLLED COPY	
UNLESS OTHERWISE SPECIFIED DIMENSIONS ARE IN INCHES. TOLERANCES: FRACTIONS ±1/32" ANGLES ±1/2° 3 PLACE DECIMALS ±.005" 2 PLACE DECIMALS ±.01"	THIS DRAWING AND THE DESIGN SHOWN ARE THE PROPERTY OF OPTICAL CABLE CORPORATION AND MAY NOT BE USED AS THE BASIS FOR MANUFACTURE OR SALE WITHOUT SPECIFIC WRITTEN PERMISSION OF OPTICAL CABLE CORPORATION.
MATERIAL SEE BILL OF MATERIAL	THIRD ANGLE PROJECTION
FINISH SEE NOTES	CRITICAL DIMENSION CODE (F) = FUNCTION (M) = MATING (A) = AUDIT
DRAWN D.A.HOLBERT	DATE 5/28/03
CHECKED R.B.SMITH	DATE 6/3/03
ENGINEER J.YANIK	DATE 5/28/03
APPROVED R.B.SMITH	DATE 5/22/06
PREVIOUS DWG	
NEXT DWG	FILENAME C105988D.DFT

**OCC**  
OPTICAL CABLE CORPORATION

5290 Concourse Drive  
Roanoke, VA 24019  
Phone: 800-622-7711  
Fax: 540-265-0724  
www.occfiber.com

DWG TITLE		CUSTOMER DRAWING, ADAPTER PLATE ASSY, FC, SM, 6 & 8 PORT, OCC	
SIZE	DWG NO.	REV	
B	C105988	D	
SCALE:	NONE	SHEET	1 OF 1