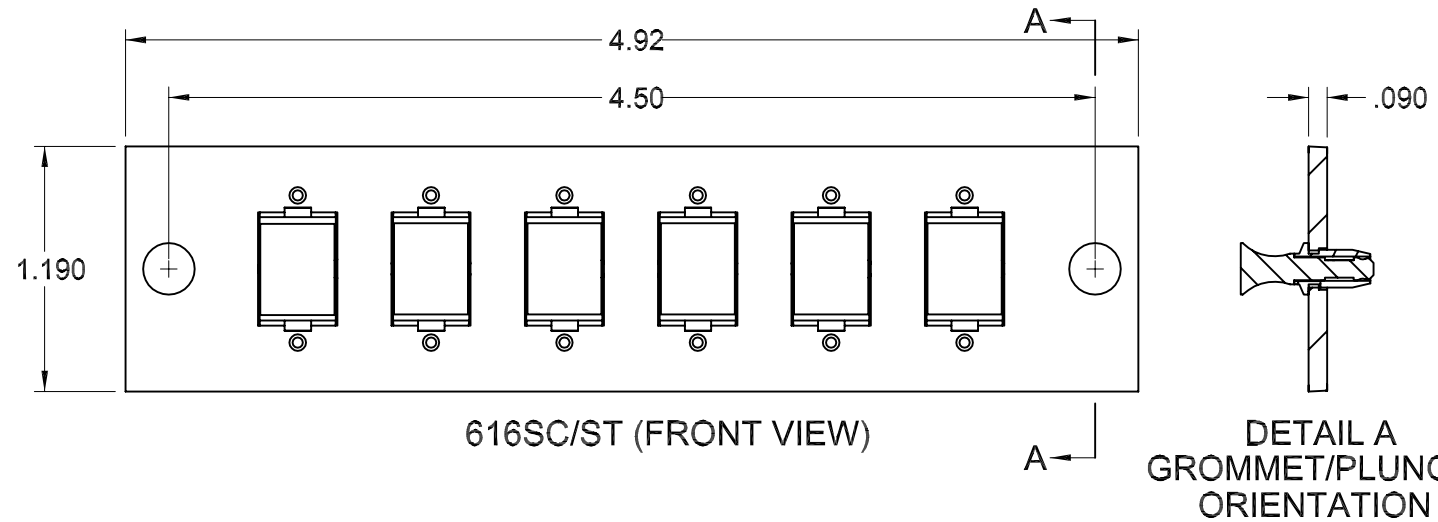
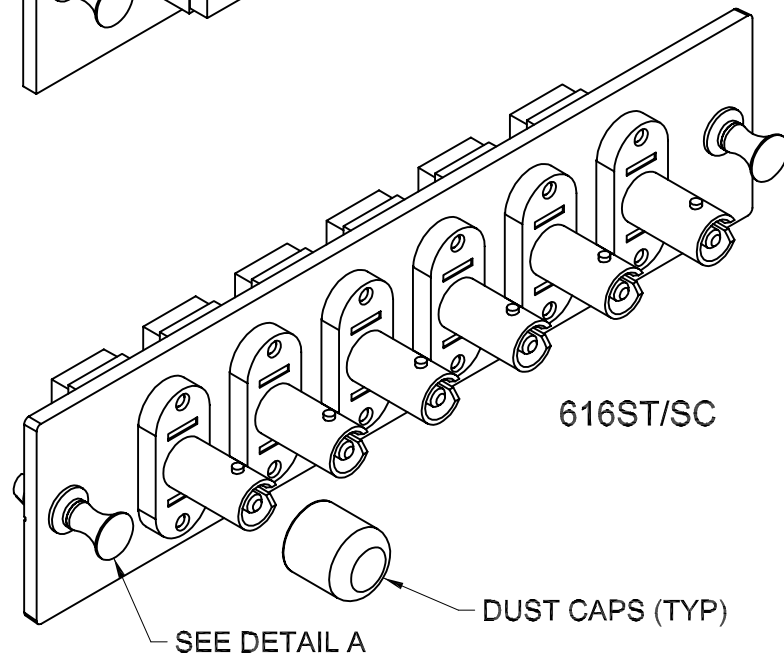
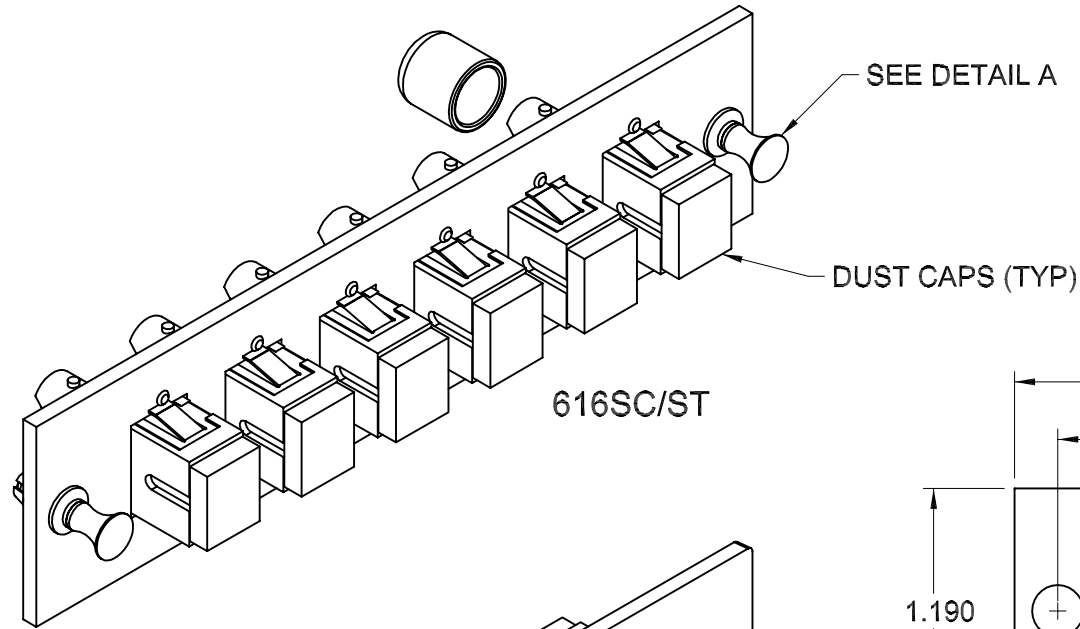


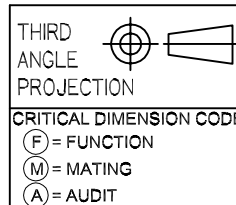
REVISION HISTORY					
REV	SHT	DESCRIPTION	DATE	ECN	CHECKED
A	ALL	RELEASE NEW	12/10/01	NEW	RBS
B	-	UPDATED: PART NUMBER LIST	11/10/03	-	DAH
C	-	CORRECTED: DESCRIPTION IS SINGLEMODE/MULTIMODE	4/22/05	-	DAH
D	-	CHGD: PLATE FROM ALUMINUM TO GLASS FILLED PLASTIC	5/22/06	-	DAH



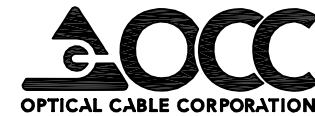
616ST/SC	ADAPTER PLATE ASSY, ST-SC HYB , SM/MM, 6 PORT, OCC
616SC/ST	ADAPTER PLATE ASSY, SC-ST HYB , SM/MM, 6 PORT, OCC
OCC PART NO.	DESCRIPTION

NOTES: UNLESS OTHERWISE SPECIFIED.

- EACH FIBER ADAPTER KIT IS SUPPLIED WITH COMPONENTS SHOWN.
- ADAPTER SPECIFICATIONS (MULTIMODE) 50µm, 50µm 10 GIG, 62.5µm
INSERTION LOSS (AVERAGE): PHOSPHOR BRONZE SLEEVE: ≤0.3 dB MAX.
SLEEVE/FERRULE WITHDRAWAL FORCE: 2.0N ~ 5.9N (200gf ~ 600gf)
- ADAPTER SPECIFICATIONS (SINGLEMODE)
INSERTION LOSS (AVERAGE): ZIRCONIA CERAMIC SLEEVE: ≤0.2 dB MAX.
SLEEVE/FERRULE WITHDRAWAL FORCE: 2.0N ~ 5.9N (200gf ~ 600gf)



UNCONTROLLED COPY	
UNLESS OTHERWISE SPECIFIED DIMENSIONS ARE IN INCHES TOLERANCES: FRACTIONS ±1/32" ANGLES ±1/2° 3 PLACE DECIMALS ±.005" 2 PLACE DECIMALS ±.01"	THIS DRAWING AND THE DESIGN SHOWN ARE THE PROPERTY OF OPTICAL CABLE CORPORATION AND MAY NOT BE USED AS THE BASIS FOR MANUFACTURE OR SALE WITHOUT SPECIFIC WRITTEN PERMISSION OF OPTICAL CABLE CORPORATION.
MATERIAL SEE BILL OF MATERIAL	DRAWN D.A.HOLBERT DATE 12/10/01
FINISH SEE NOTES	CHECKED R.B.SMITH DATE 1/16/02
	ENGINEER J.YANIK DATE 12/10/01
	APPROVED H.JOHNSON DATE 2/23/10
	PREVIOUS DWG
	NEXT DWG



5290 Concourse Drive
Roanoke, VA 24019
Phone: 800-622-7711
Fax: 540-265-0724
www.occfiber.com

DWG TITLE CUSTOMER DRAWING, ADAPTER PLATE ASSY, OCC, SC-ST HYBRID, SM/MM, 6 PORT			
SIZE B	DWG NO. C102643	REV D	
SCALE: NONE	SHEET 1 OF 1	FILENAME C102643D.DFT	