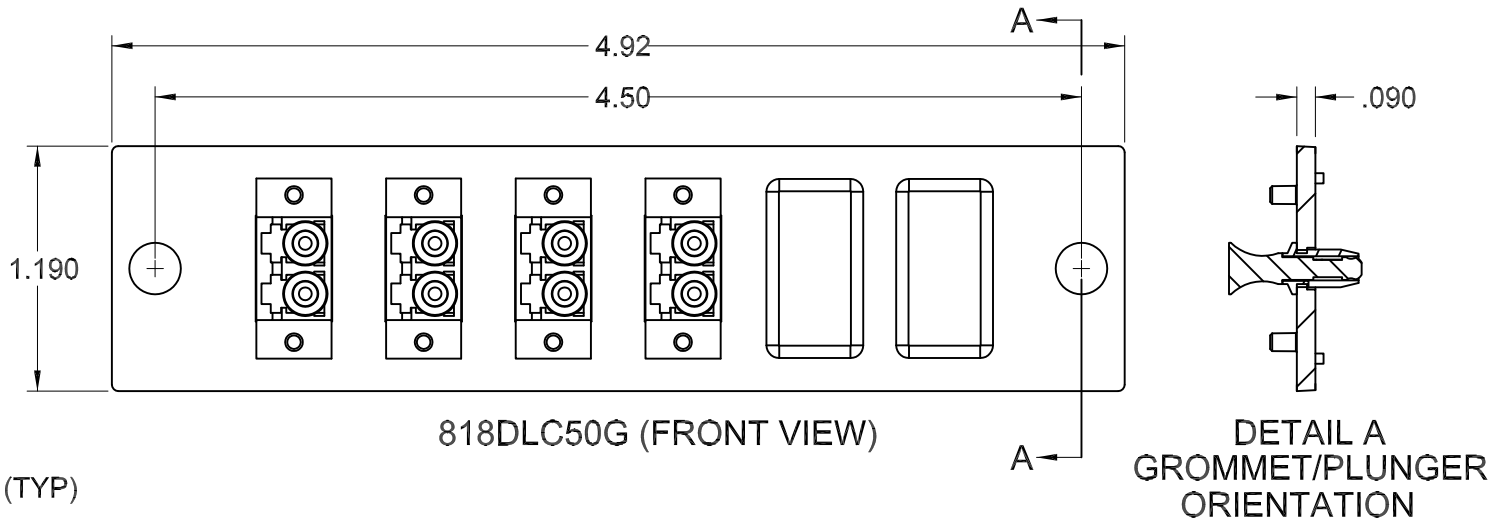
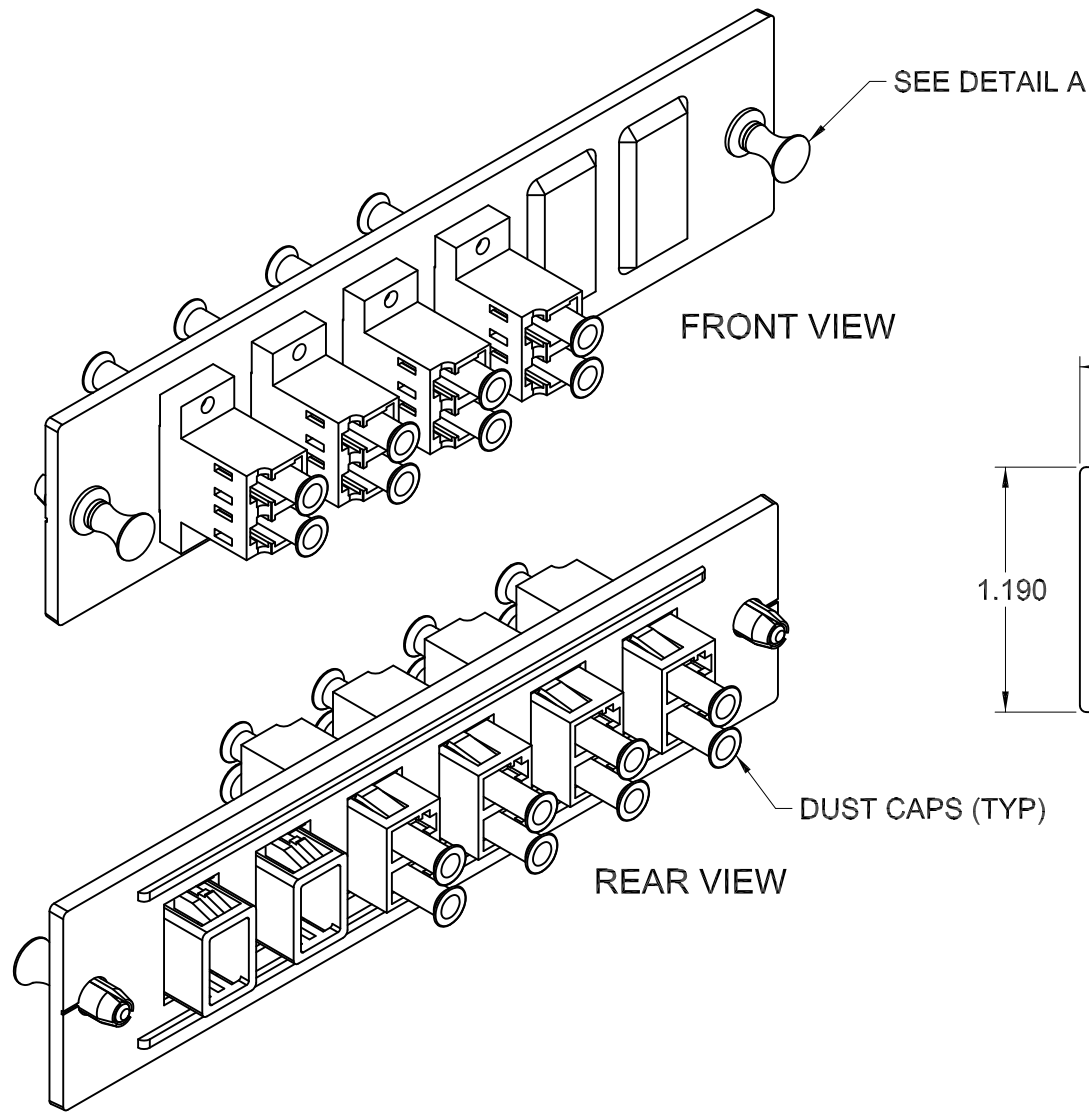


REVISION HISTORY					
REV	SHT	DESCRIPTION	DATE	ECN	CHECKED
A	ALL	RELEASE NEW	9/2/08	NEW	RBS
G	-	ADDED: MORE 8 PORT LC ADAPTER OPTIONS	1/25/12	-	RBS



818DLC50G (FRONT VIEW)

DETAIL A
GROMMET/PLUNGER
ORIENTATION

OCC PART NO.	DESCRIPTION
818SMDLC	ADAPTER PLATE ASSY, DUAL LCX4, SM, 8 PORT, OCC
818MMDLC	ADAPTER PLATE ASSY, DUAL LCX4, MM, 6 PORT, OCC
818DLC	ADAPTER PLATE ASSY, DUAL LCX4, SM/MM, 6 PORT, OCC
818DLC50G	ADAPTER PLATE ASSY, DUAL LCX4 , 50µm 10 GIG, 8 PORT, OCC

NOTES: UNLESS OTHERWISE SPECIFIED.

- EACH FIBER ADAPTER KIT IS SUPPLIED WITH COMPONENTS SHOWN.
- ADAPTER SPECIFICATIONS (MULTIMODE) 50µm, 50µm 10 GIG, 62.5µm
INSERTION LOSS (AVERAGE): PHOSPHOR BRONZE SLEEVE: ≤ 0.3 dB MAX.
SLEEVE/FERRULE WITHDRAWAL FORCE: 2.0N ~ 5.9N (200gf ~ 600gf)
- ADAPTER SPECIFICATIONS (SINGLEMODE)
INSERTION LOSS (AVERAGE): ZIRCONIA CERAMIC SLEEVE: ≤ 0.2 dB MAX.
SLEEVE/FERRULE WITHDRAWAL FORCE: 2.0N ~ 5.9N (200gf ~ 600gf)

UNCONTROLLED COPY

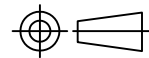
UNLESS OTHERWISE SPECIFIED DIMENSIONS ARE IN INCHES.
TOLERANCES: FRACTIONS ±1/32"
ANGLES ±1/2°
3 PLACE DECIMALS ±.005"
2 PLACE DECIMALS ±.01"

THIS DRAWING AND THE DESIGN SHOWN ARE THE PROPERTY OF OPTICAL CABLE CORPORATION AND MAY NOT BE USED AS THE BASIS FOR MANUFACTURE OR SALE WITHOUT SPECIFIC WRITTEN PERMISSION OF OPTICAL CABLE CORPORATION.



5290 Concourse Drive
Roanoke, VA 24019
Phone: 800-622-7711
Fax: 540-265-0724
www.occfiber.com

THIRD ANGLE PROJECTION



CRITICAL DIMENSION CODE
 (F) = FUNCTION
 (M) = MATING
 (A) = AUDIT

MATERIAL
SEE BILL OF MATERIAL

FINISH
SEE BILL OF MATERIAL

DRAWN	D.A.HOLBERT	DATE	9/2/08
CHECKED	R.B.SMITH	DATE	9/2/08
ENGINEER	J.YANIK	DATE	9/2/08
APPROVED	R.B.SMITH	DATE	1/25/12
PREVIOUS DWG			
NEXT DWG		FILENAME	C:109073G.DFT

DWG TITLE
**CUSTOMER DRAWING,
ADAPTER PLATE ASSY, OCC,
DUAL LCX4, SM/MM, 8 PORT, OCC**

SIZE	B	DWG NO.	C109073	REV	G
SCALE:	NONE	SHEET	1 OF 1		