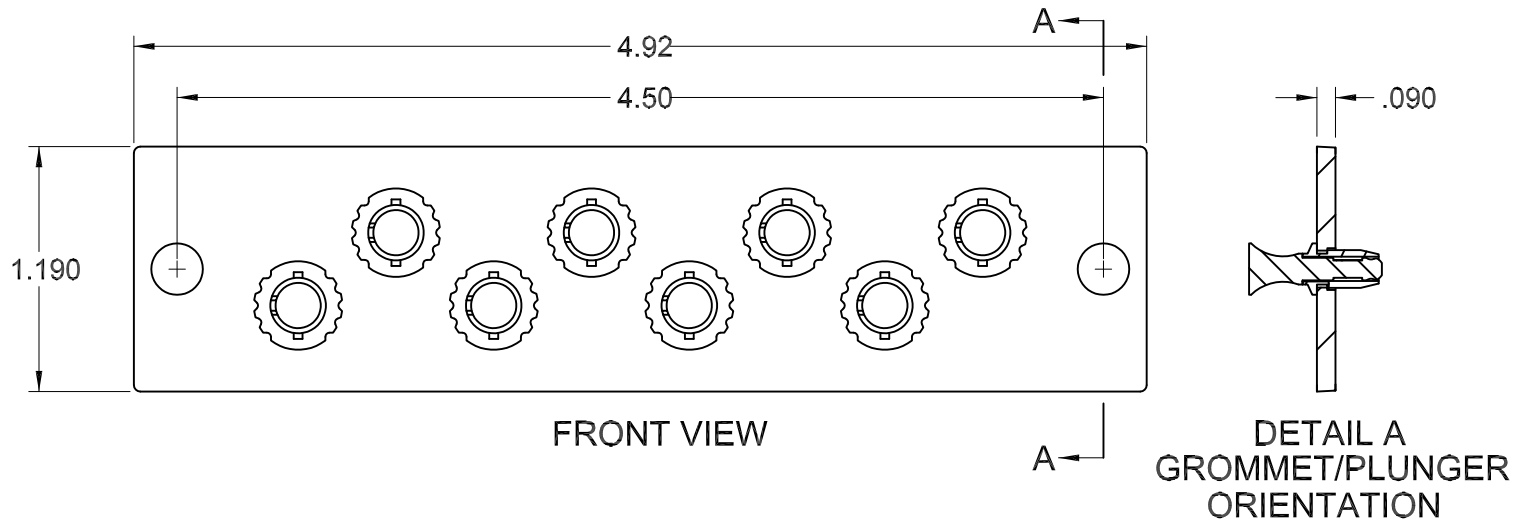
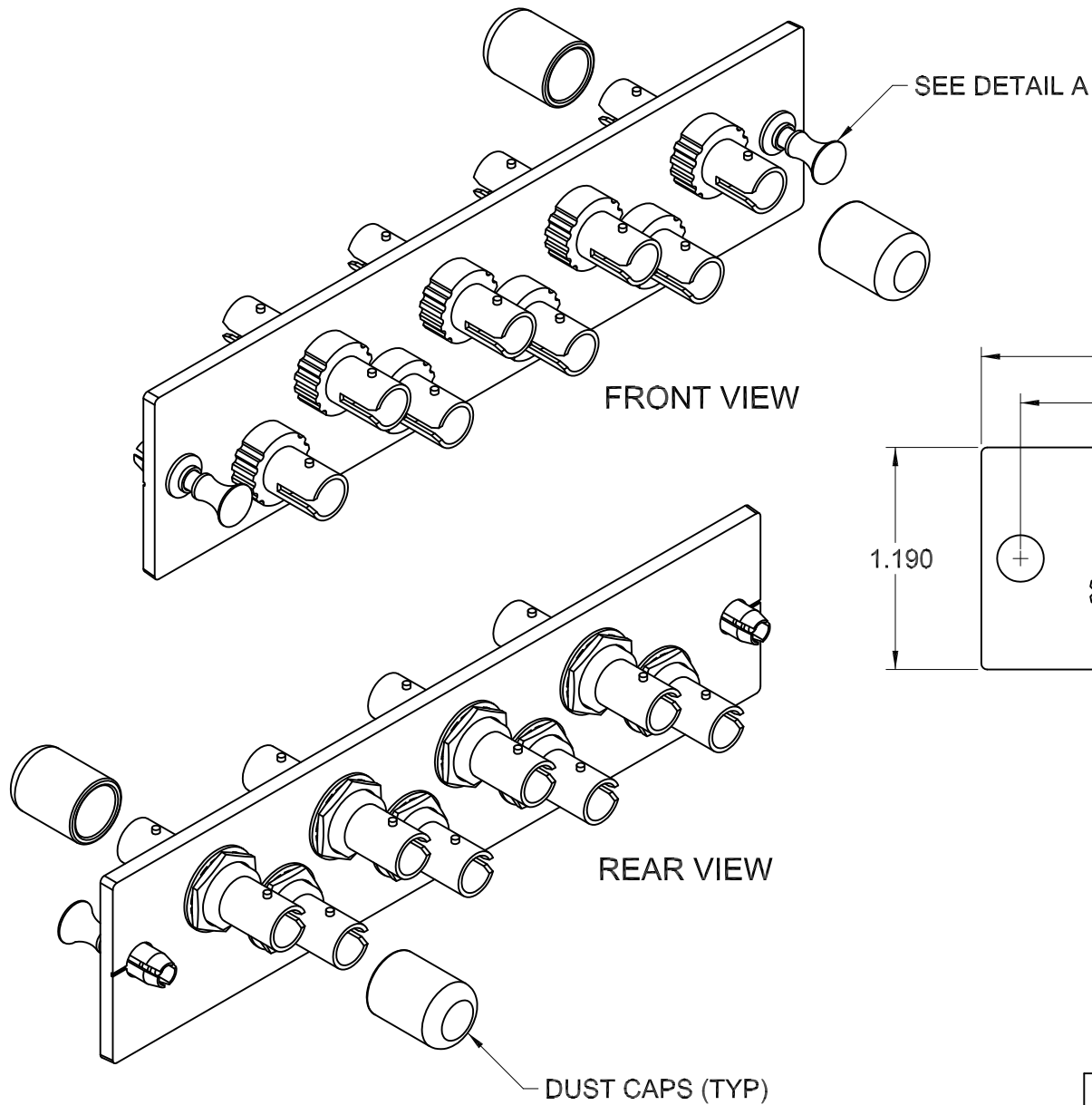


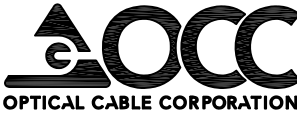
REVISION HISTORY					
REV	SHT	DESCRIPTION	DATE	ECN	CHECKED
A	ALL	RELEASE NEW	12/10/01	NEW	RBS
B	-	CHGD: PLATE FROM ALUMINUM TO GLASS FILLED PLASTIC	5/22/06	-	DAH
H	-	ADDED: ST-SM (BLACK DUST CAP) ADAPTER OPTION	1/25/12	-	RBS



818MMST	ADAPTER PLATE ASSY, ST, MM, 8 PORT, OCC
818SMSTB	ADAPTER PLATE ASSY, ST (BLK), SM, 8 PORT, OCC
818SMST	ADAPTER PLATE ASSY, ST, SM, 8 PORT, OCC
818ST	ADAPTER PLATE ASSY, ST, SM/MM, 8 PORT, OCC
OCC PART NO.	DESCRIPTION

NOTES: UNLESS OTHERWISE SPECIFIED.

- EACH FIBER ADAPTER KIT IS SUPPLIED WITH COMPONENTS SHOWN.
- ADAPTER SPECIFICATIONS (MULTIMODE) 50µm, 50µm 10 GIG, 62.5µm
INSERTION LOSS (AVERAGE): PHOSPHOR BRONZE SLEEVE: ≤0.3 dB MAX.
SLEEVE/FERRULE WITHDRAWAL FORCE: 2.0N ~ 5.9N (200gf ~ 600gf)
- ADAPTER SPECIFICATIONS (SINGLEMODE)
INSERTION LOSS (AVERAGE): ZIRCONIA CERAMIC SLEEVE: ≤0.2 dB MAX.
SLEEVE/FERRULE WITHDRAWAL FORCE: 2.0N ~ 5.9N (200gf ~ 600gf)

UNCONTROLLED COPY					
UNLESS OTHERWISE SPECIFIED DIMENSIONS ARE IN INCHES TOLERANCES: FRACTIONS ±1/32" ANGLES ±1/2" 3 PLACE DECIMALS ±.005" 2 PLACE DECIMALS ±.01"		THIS DRAWING AND THE DESIGN SHOWN ARE THE PROPERTY OF OPTICAL CABLE CORPORATION AND MAY NOT BE USED AS THE BASIS FOR MANUFACTURE OR SALE WITHOUT SPECIFIC WRITTEN PERMISSION OF OPTICAL CABLE CORPORATION.		 5290 Concourse Drive Roanoke, VA 24019 Phone: 800-622-7711 Fax: 540-265-0724 www.occfiber.com	
THIRD ANGLE PROJECTION	MATERIAL SEE BILL OF MATERIAL	DRAWN D.A.HOLBERT	DATE 12/10/01	DWG TITLE CUSTOMER DRAWING, ADAPTER PLATE ASSY, ST, SM/MM, 8 PORT, OCC	
CRITICAL DIMENSION CODE	FINISH SEE NOTES	CHECKED R.B.SMITH	DATE 1/16/02	SIZE B	DWG NO. C102488
(F) = FUNCTION (M) = MATING (A) = AUDIT		ENGINEER J.YANIK	DATE 12/10/01	REV H	
		APPROVED R.B.SMITH	DATE 1/25/12	SCALE: NONE	SHEET 1 OF 1
		PREVIOUS DWG		FILENAME C:102488H.DFT	
		NEXT DWG			