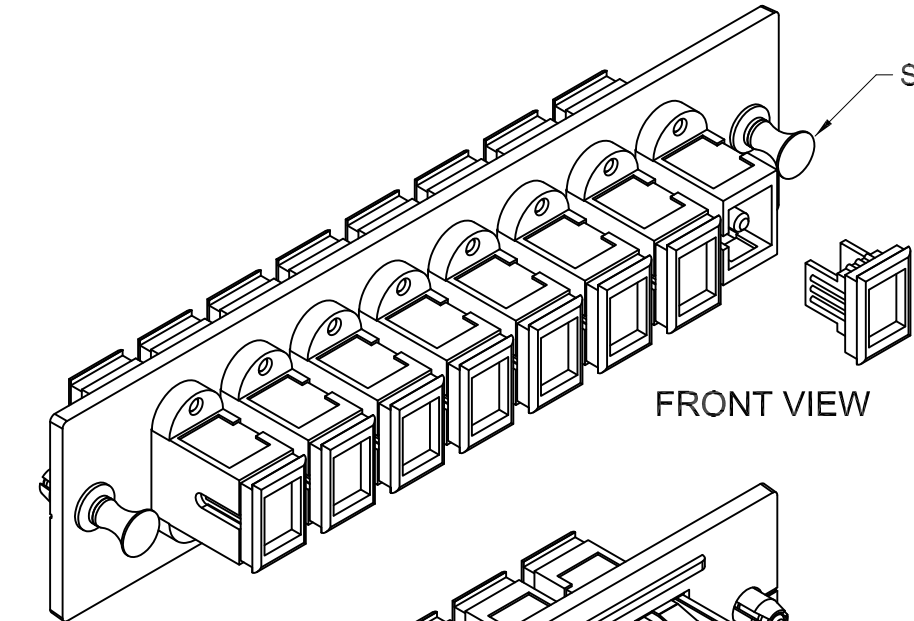
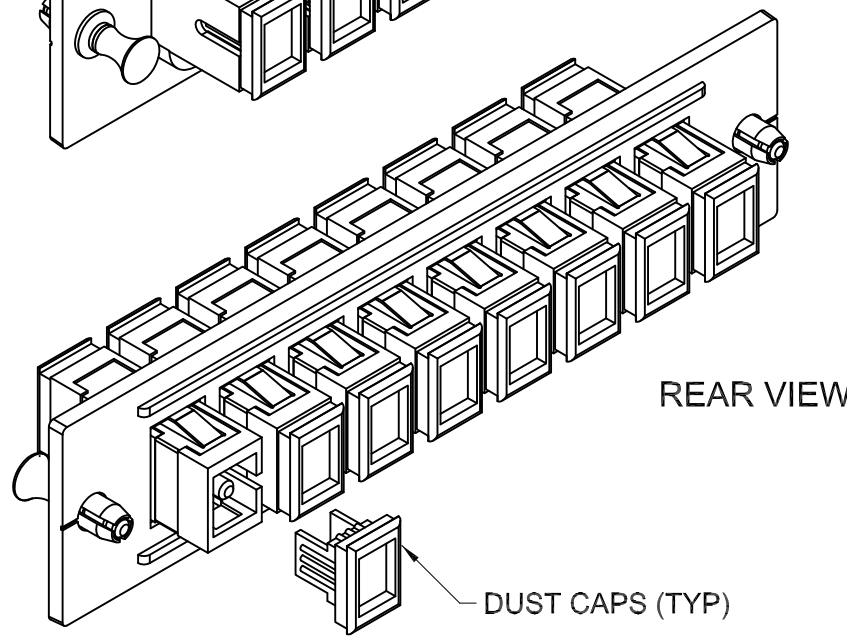


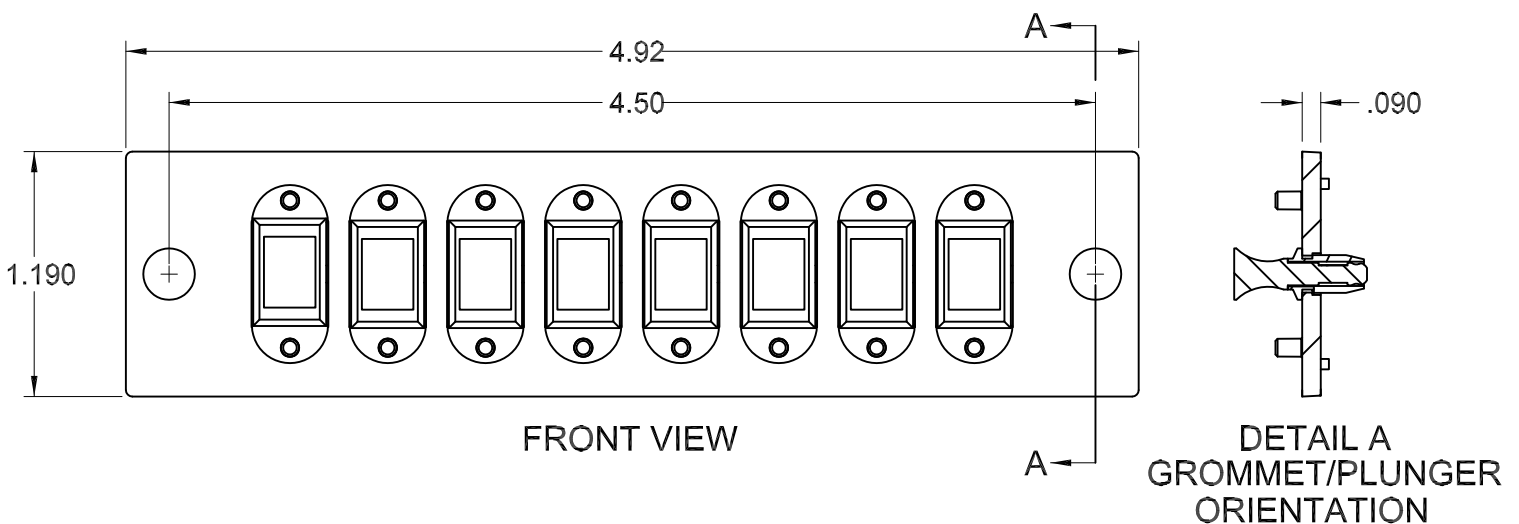
REVISION HISTORY					
REV	SHT	DESCRIPTION	DATE	ECN	CHECKED
A	ALL	RELEASE NEW	5/16/03	NEW	RBS
B	-	CHGD: PLATE FROM ALUMINUM TO GLASS FILLED PLASTIC	5/22/06	-	DAH
J	-	ADDED: MORE 8 PORT SC ADAPTER OPTIONS	1/25/12	-	RBS



SEE DETAIL A



DUST CAPS (TYP)



818SCAPC	ADAPTER PLATE ASSY, SCAPCX8, SM, 8 PORT, OCC
818SMSC	ADAPTER PLATE ASSY, SCX8, SM, 8 PORT, OCC
818MMSC	ADAPTER PLATE ASSY, SCX8, MM, 8 PORT, OCC
818SC	ADAPTER PLATE ASSY, SCX8, SM/MM, 8 PORT, OCC
818SC50G	ADAPTER PLATE ASSY, SCX8, 50/125µm 10 GIG, 8 PORT, OCC
OCC PART NO.	DESCRIPTION

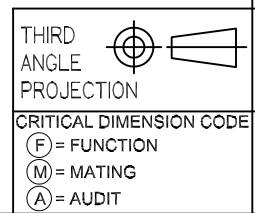
NOTES: UNLESS OTHERWISE SPECIFIED.

- EACH FIBER ADAPTER KIT IS SUPPLIED WITH COMPONENTS SHOWN.
- ADAPTER SPECIFICATIONS (MULTIMODE) 50µm, 50µm 10 GIG, 62.5µm
INSERTION LOSS (AVERAGE): PHOSPHOR BRONZE SLEEVE: ≤0.3 dB MAX.
SLEEVE/FERRULE WITHDRAWAL FORCE: 2.0N ~ 5.9N (200gf ~ 600gf)
- ADAPTER SPECIFICATIONS (SINGLEMODE)
INSERTION LOSS (AVERAGE): ZIRCONIA CERAMIC SLEEVE: ≤0.2 dB MAX.
SLEEVE/FERRULE WITHDRAWAL FORCE: 2.0N ~ 5.9N (200gf ~ 600gf)

UNCONTROLLED COPY

UNLESS OTHERWISE SPECIFIED DIMENSIONS ARE IN INCHES.
TOLERANCES: FRACTIONS ±1/32"
ANGLES ±1/2°
3 PLACE DECIMALS ±.005"
2 PLACE DECIMALS ±.01"

5290 Concourse Drive
Roanoke, VA 24019
Phone: 800-622-7711
Fax: 540-265-0724
www.occfiber.com



MATERIAL	SEE BILL OF MATERIAL
FINISH	SEE NOTES
DRAWN	D.A.HOLBERT
DATE	5/16/03
CHECKED	R.B.SMITH
DATE	5/19/03
ENGINEER	J.YANIK
DATE	5/16/03
APPROVED	R.B.SMITH
DATE	1/25/12
PREVIOUS DWG	
NEXT DWG	

DWG TITLE **CUSTOMER DRAWING, ADAPTER PLATE ASSY, SC, SM/MM, 8 PORT, OCC**

SIZE **B**

DWG NO. **C106486**

REV **J**

SCALE: NONE SHEET 1 OF 1

FILENAME C:106486J.DFT