

# SPECIFICATIONS

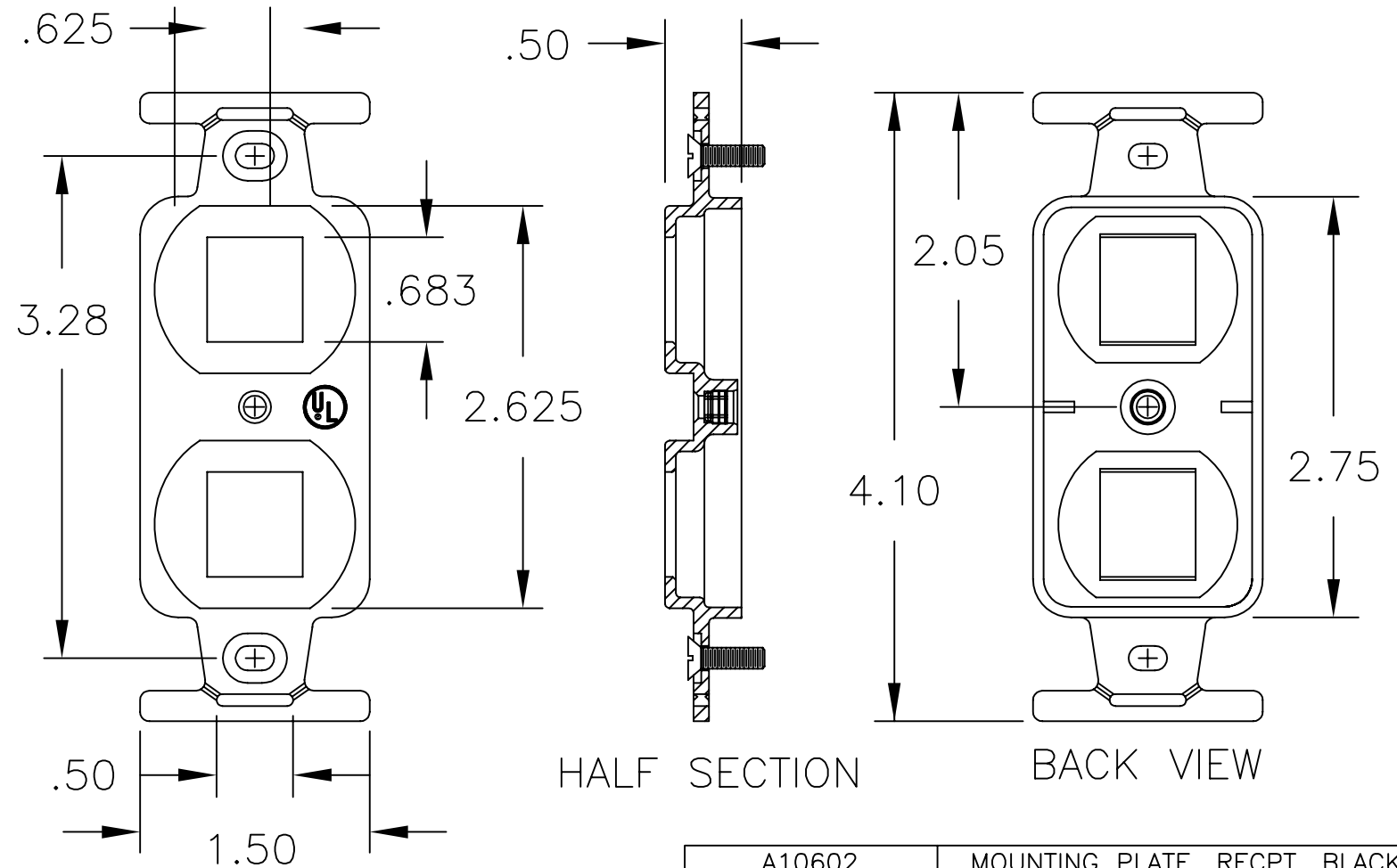
## FEATURES/MATERIALS:

- SINGLE GANG MOUNTING PLATES PROVIDE A COST-EFFECTIVE MOUNTING FOR THE ACCESS SERIES OF UTP JACKS AND MULTI-APPLICATION ADAPTERS.
- CUSTOM BEZELS ARE AVAILABLE IN A WIDE VARIETY OF COLORS AND ICONS TO PROVIDE VERSATILE PORT DESIGNATION.
- MOUNTING PLATES ARE CONSTRUCTED OF HIGH IMPACT, SELF-EXTINGUISHING PLASTIC RATED 94V-0

## CODE & COMPLIANCE:

- UL LISTED.

REV		SHT	DESCRIPTION	DATE	ECN	CHECKED
A	ALL	RELEASE	NEW	12/10/01	NEW	RBS



A10602	MOUNTING PLATE, RECPT, BLACK
A10601	MOUNTING PLATE, RECPT, OFF. WHITE
A10600	MOUNTING PLATE, RECPT, ELEC. IVORY
OCC PART NO.	DESCRIPTION

### UNCONTROLLED COPY

UNLESS OTHERWISE SPECIFIED DIMENSIONS ARE IN INCHES  
 TOLERANCES:  
 FRACTIONS  $\pm 1/32"$   
 ANGLES  $\pm 1/2"$   
 3 PLACE DECIMALS  $\pm .005"$   
 2 PLACE DECIMALS  $\pm .01"$

THIS DRAWING AND THE DESIGN SHOWN ARE THE PROPERTY OF OPTICAL CABLE CORPORATION AND MAY NOT BE USED AS THE BASIS FOR MANUFACTURE OR SALE WITHOUT SPECIFIC WRITTEN PERMISSION OF OPTICAL CABLE CORPORATION.



5290 Concourse Drive  
 Roanoke, VA 24019  
 Phone: 800-622-7711  
 Fax: 540-265-0724  
 www.occfiber.com

THIRD ANGLE PROJECTION

MATERIAL  
 PVC RATED 94V-0

CRITICAL DIMENSION CODE  
 (F) = FUNCTION  
 (M) = MATING  
 (A) = AUDIT

FINISH  
 SEE NOTES

DRAWN BY	D.A.HOLBERT	DATE	12/10/01
CHECKED BY	R.B.SMITH	DATE	1/31/02
ENGINEER	J.YANIK	DATE	12/10/01
APPROVED	H.JOHNSON	DATE	6/29/10
PREVIOUS DWG			
NEXT DWG			

DWG TITLE		BRACKET ASSEMBLY, A-106, 2 POS, UMJ	
SIZE	B	DWG NO.	A106-XX
SCALE	NONE	SHEET	1 OF 1
REV	A		



Made in the USA