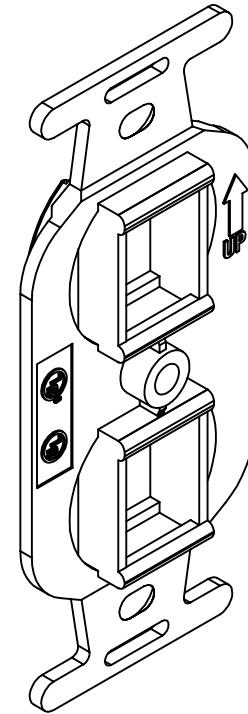
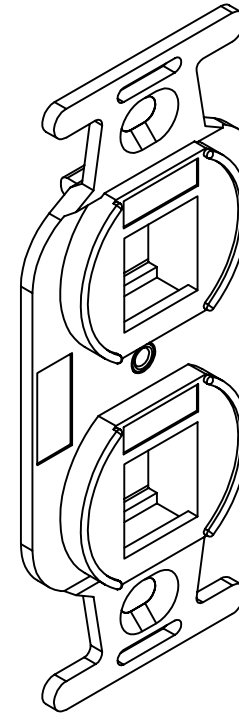
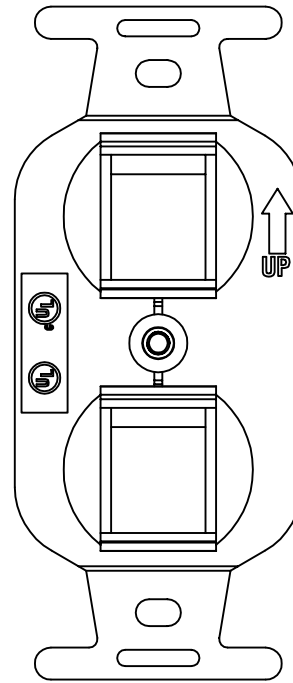
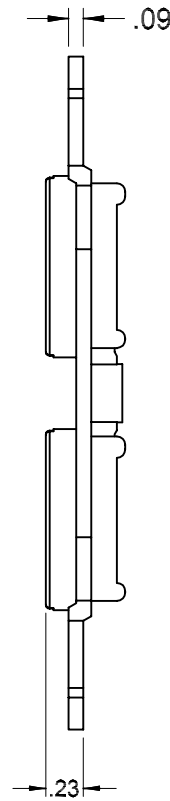
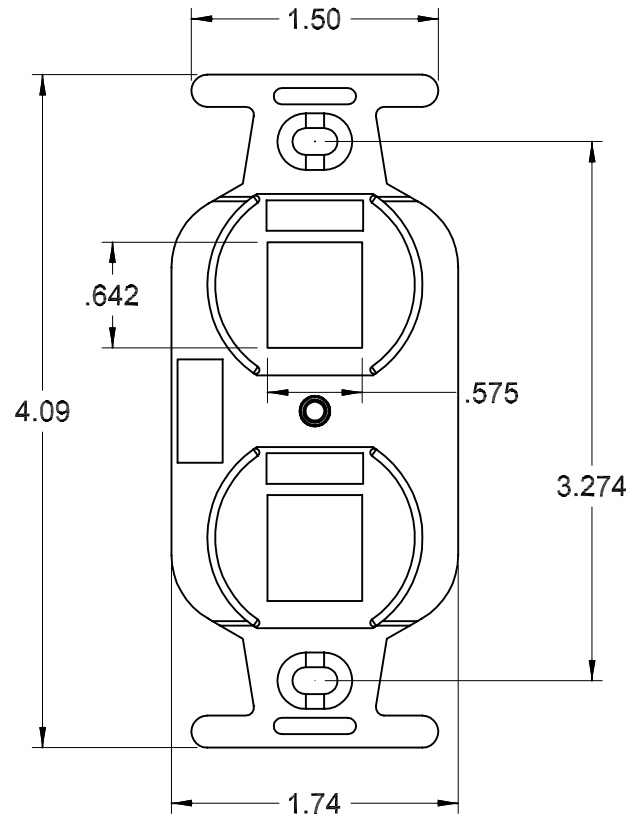


REVISION HISTORY				
REV	SHT	DESCRIPTION	DATE	CHECKED
A	ALL	RELEASE NEW	1/28/05	RBS



FRONT VIEW

REAR VIEW

## SPECIFICATIONS

### FEATURES/MATERIALS:

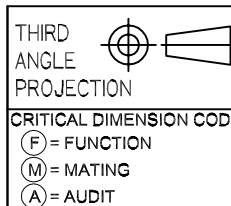
- SINGLE GANG FACEPLATES PROVIDE A COST-EFFECTIVE MOUNTING FOR THE ACCESS SERIES OF UTP JACKS AND MULTI-APPLICATION ADAPTERS.
- CUSTOM BEZELS ARE AVAILABLE IN A WIDE VARIETY OF COLORS AND ICONS TO PROVIDE VERSATILE PORT DESIGNATION.
- FACEPLATES, JACKS, AND BEZELS ARE CONSTRUCTED OF HIGH IMPACT, SELF-EXTINGUISHING PLASTIC RATED 94V-0

### CODE & COMPLIANCE:

- UL LISTED.

UNCONTROLLED COPY

A106K12	MTG PLATE, RECEPTACLE, KMJ X 2, BRIGHT WHITE, RESIDENTIAL
A106K01	MTG PLATE, RECEPTACLE, KMJ X 2, OFF. WHITE, RESIDENTIAL
OCC PART NO.	MTG PLATE, RECEPTACLE, KMJ X 2, ELEC. IVORY, RESIDENTIAL
	DESCRIPTION
UNLESS OTHERWISE SPECIFIED DIMENSIONS ARE IN INCHES. TOLERANCES: FRACTIONS $\pm 1/32"$ ANGLES $\pm 1/2^\circ$ 3 PLACE DECIMALS $\pm .005"$ 2 PLACE DECIMALS $\pm .01"$	THIS DRAWING AND THE DESIGN SHOWN ARE THE PROPERTY OF OPTICAL CABLE CORPORATION AND MAY NOT BE USED AS THE BASIS FOR MANUFACTURE OR SALE WITHOUT SPECIFIC WRITTEN PERMISSION OF OPTICAL CABLE CORPORATION.
DRAWN E.WETLI	DATE 1/28/05
CHECKED R.B.SMITH	DATE 1/29/05
ENGINEER J.YANIK	DATE 1/28/05
APPROVED D.INGLE	DATE 1/29/05
PREVIOUS DWG	
NEXT DWG	FILENAME C107168A.DFT
	SCALE: NONE
	SHEET 1 OF 1
	DWG TITLE MTG PLATE, RECEPTACLE, KMJ X 2, RESIDENTIAL
	SIZE B
	DWG NO. C107168
	REV A
	5290 Concourse Drive Roanoke, VA 24019 Phone: 800-622-7711 Fax: 540-265-0724 www.occfiber.com



MATERIAL  
FLAME RETARDANT THERMOPLASTIC  
UL LISTED RATING 94V-0

FINISH  
SEE NOTES; FOR COLOR  
SEE OCC SPEC# 100004