

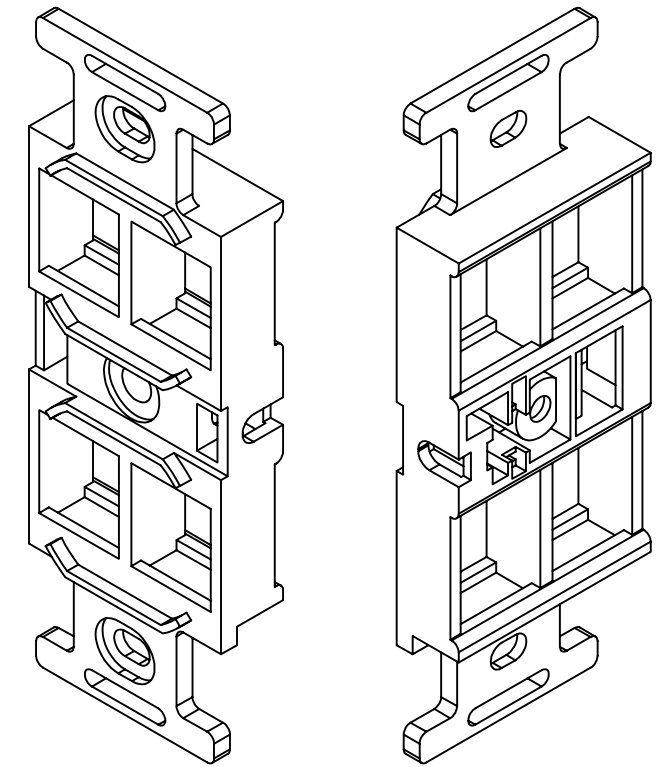
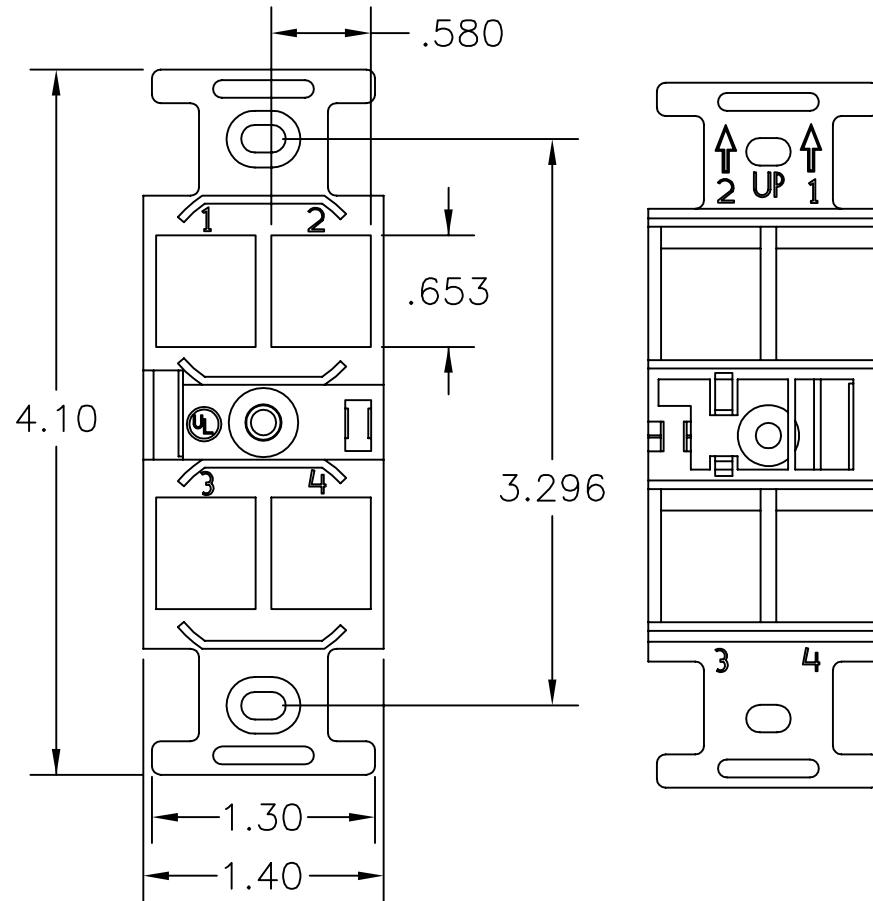
SPECIFICATIONS

FEATURES/MATERIALS:

- SINGLE GANG MOUNTING PLATES PROVIDE A COST-EFFECTIVE MOUNTING FOR THE KEYSTONE LEADFRAME JACKS (KMJVL & KMJL).
- MOUNTING PLATES ARE CONSTRUCTED OF HIGH IMPACT, SELF-EXTINGUISHING PLASTIC RATED 94V-0

CODE & COMPLIANCE:

- UL LISTED.



OCC PART NO.	DESCRIPTION
A106K407	MOUNTING PLATE, RECPT, WHITE
A106K406	MOUNTING PLATE, RECPT, GREY
A106K402	MOUNTING PLATE, RECPT, BLACK
A106K400	MOUNTING PLATE, RECPT, ELEC. IVORY



THIRD ANGLE PROJECTION	
CRITICAL DIMENSION CODE	FINISH SEE NOTES
(F) = FUNCTION	
(M) = MATING	
(A) = AUDIT	

UNCONTROLLED COPY	
UNLESS OTHERWISE SPECIFIED DIMENSIONS ARE IN INCHES TOLERANCES: FRACTIONS ±1/32" ANGLES ±1/2" 3 PLACE DECIMALS ±.005" 2 PLACE DECIMALS ±.01"	THIS DRAWING AND THE DESIGN SHOWN ARE THE PROPERTY OF OPTICAL CABLE CORPORATION AND MAY NOT BE USED AS THE BASIS FOR MANUFACTURE OR SALE WITHOUT SPECIFIC WRITTEN PERMISSION OF OPTICAL CABLE CORPORATION.
DRAWN BY D.A.HOLBERT	DATE 12/10/01
CHECKED BY R.B.SMITH	DATE 1/31/02
ENGINEER J.YANIK	DATE 12/10/01
APPROVED H.JOHNSON	DATE 6/29/10
PREVIOUS DWG	
NEXT DWG	

 OPTICAL CABLE CORPORATION	5290 Concourse Drive Roanoke, VA 24019 Phone: 800-622-7711 Fax: 540-265-0724 www.occfiber.com	
	DWG TITLE BRACKET ASSEMBLY, A-106, 4 POS, KMJ	
SIZE B	DWG NO. A106K4-XX	REV A
FILENAME A106K4-XXA.DWG	SCALE NONE	SHEET 1 OF 1

REVISONS			DATE	ECN	CHECKED
REV	SHT	DESCRIPTION			
A	ALL	RELEASE NEW	12/10/01	NEW	RBS