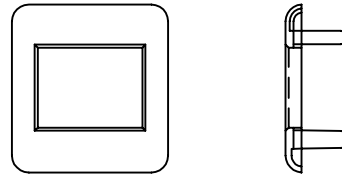
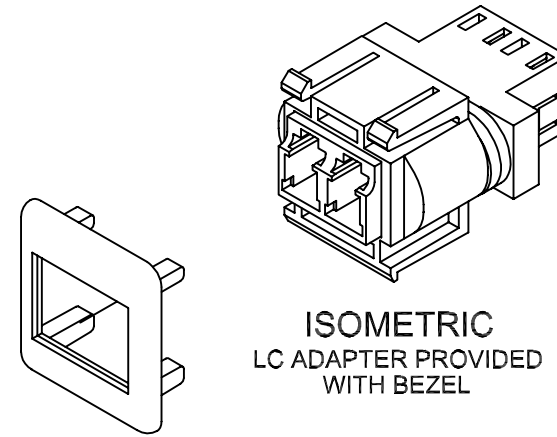


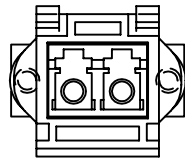
REVISION HISTORY					
REV	SHT	DESCRIPTION	DATE	ECN	CHECKED
A	ALL	RELEASE NEW	9/4/03	NEW	JY
B	-	CORRECTED: BEZEL TYPE	8/9/04	-	RBS
C	-	ADDED: ORTHOGRAPHIC VIEWS	7/23/07	-	JY



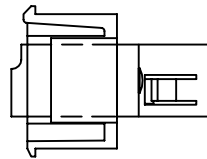
SC BEZEL



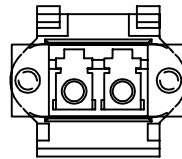
ISOMETRIC
LC ADAPTER PROVIDED
WITH BEZEL



FRONT



SIDE



BACK

LC ADAPTER ASSEMBLY
DUST CAPS REMOVED
FOR CLARITY

AADLCXXNB	ASSY, AXCESS ADAPTER, DUPLEX LC, SM/MM, "COLOR", NO BEZEL
AADLCXX	ASSY, AXCESS ADAPTER, DUPLEX LC, SM/MM, "COLOR"
AADLCSXXNB	ASSY, AXCESS ADAPTER, DUPLEX LC, SM, "COLOR", NO BEZEL
AADLCSXX	ASSY, AXCESS ADAPTER, DUPLEX LC, SM, "COLOR"
AADLCMXXNB	ASSY, AXCESS ADAPTER, DUPLEX LC, MM, "COLOR", NO BEZEL
AADLCMXX	ASSY, AXCESS ADAPTER, DUPLEX LC, MM, "COLOR"
OCC PART NO.	DESCRIPTION

UNLESS OTHERWISE SPECIFIED
DIMENSIONS ARE IN INCHES.
TOLERANCES: FRACTIONS $\pm 1/32"$
ANGLES $\pm 1/2^\circ$
3 PLACE DECIMALS $\pm .005"$
2 PLACE DECIMALS $\pm .01"$

THIS DRAWING AND THE DESIGN SHOWN ARE THE
PROPERTY OF OPTICAL CABLE CORPORATION AND
MAY NOT BE USED AS THE BASIS FOR MANU-
FACTURE OR SALE WITHOUT SPECIFIC WRITTEN
PERMISSION OF OPTICAL CABLE CORPORATION.



5290 Concourse Drive
Roanoke, VA 24019
Phone: 800-622-7711
Fax: 540-265-0724
www.occfiber.com



THIRD ANGLE PROJECTION

CRITICAL DIMENSION CODE
(F) = FUNCTION
(M) = MATING
(A) = AUDIT

MATERIAL
SEE BILL OF MATERIAL

FINISH
SEE BILL OF MATERIAL

DRAWN D.A.HOLBERT DATE 9/4/03

CHECKED R.B.SMITH DATE 8/25/04

ENGINEER J.YANIK DATE 9/4/03

APPROVED R.B.SMITH DATE 7/23/07

PREVIOUS DWG

NEXT DWG

DATE 9/4/03

DATE 8/25/04

DATE 9/4/03

DATE 7/23/07

FILENAME C106286C.DFT

DWG TITLE
ASSEMBLY, LC DUPLEX,
AXCESS ADAPTER, SM/MM

SIZE
B

DWG NO.
C106286

REV
C

SCALE: NONE SHEET 1 OF 1

UNCONTROLLED COPY