

# SPECIFICATIONS

## FEATURES/MATERIALS:

- LOCKING CUSTOM COLOR/ICON BEZELS PROVIDE DISTINCTIVE JACK IDENTIFICATION.
- CUSTOM BEZELS ARE AVAILABLE IN A WIDE VARIETY OF COLORS AND ICONS.
- BEZELS ARE CONSTRUCTED OF HIGH IMPACT SELF EXTINGUISHING, RATED 94V-0.

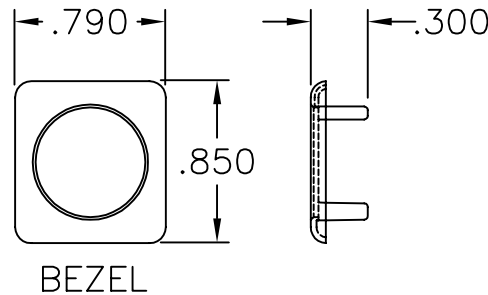
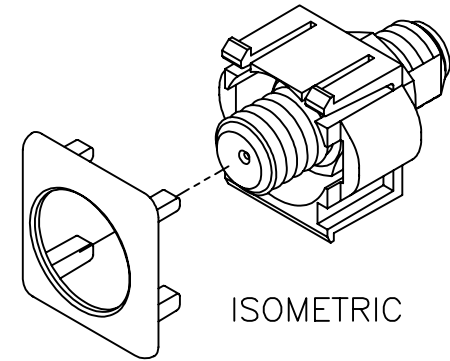
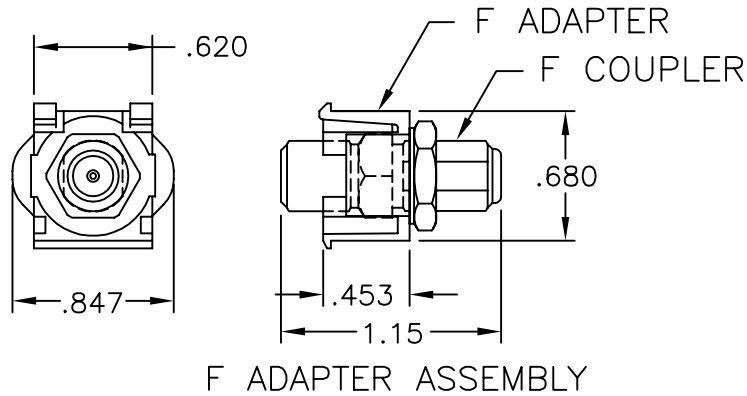
OPTIONAL COLOR BEZELS CAN BE ORDERED BY REPLACING "-XX" WITH COLOR CODE.  
EXAMPLE: AAF02 = BLACK

## BEZEL COLOR CHART

00 ELECTRICAL IVORY	06 DATA GRAY
01 OFFICE WHITE	07 WHITE
02 BLACK	08 ORANGE
03 RED	09 YELLOW
04 GREEN	10 PURPLE
05 BLUE	11 BROWN

## PROPOSED EIA/TIA 606 COLOR CODED IDENTIFICATION SYSTEM

TERMINATION TYPE	COLOR	SUPERIOR COLOR CODE
DEMARICATION POINT	ORANGE	08
NETWORK COMMUNICATIONS	GREEN	04
COMMON EQUIPMENT	PURPLE	10
FIRST LEVEL BACKBONE	WHITE	07
SECOND LEVEL BACKBONE	GRAY	06
STATION	BLUE	05
INTERBUILDING BACKBONE	BROWN	11
MISCELLANEOUS	YELLOW	09
KEY TELEPHONE SYSTEMS	RED	03



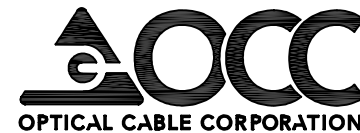
AAF11	AXCESS ADAPTER, F, BROWN
AAF10	AXCESS ADAPTER, F, PURPLE
AAF09	AXCESS ADAPTER, F, YELLOW
AAF08	AXCESS ADAPTER, F, ORANGE
AAF07	AXCESS ADAPTER, F, WHITE
AAF06	AXCESS ADAPTER, F, GRAY
AAF05	AXCESS ADAPTER, F, BLUE
AAF04	AXCESS ADAPTER, F, GREEN
AAF03	AXCESS ADAPTER, F, RED
AAF02	AXCESS ADAPTER, F, BLACK
AAF01	AXCESS ADAPTER, F, OFF. WHITE
AAF00	AXCESS ADAPTER, F, ELEC. IVORY
OCC PART NO.	DESCRIPTION



## UNCONTROLLED COPY

UNLESS OTHERWISE SPECIFIED  
DIMENSIONS ARE IN INCHES  
TOLERANCES:  
FRACTIONS  $\pm 1/32$ "  
ANGLES  $\pm 1/2$ "  
3 PLACE DECIMALS  $\pm .005$ "  
2 PLACE DECIMALS  $\pm .01$ "

THIS DRAWING AND THE DESIGN SHOWN ARE THE PROPERTY OF OPTICAL CABLE CORPORATION AND MAY NOT BE USED AS THE BASIS FOR MANUFACTURE OR SALE WITHOUT SPECIFIC WRITTEN PERMISSION OF OPTICAL CABLE CORPORATION.



5290 Concourse Drive  
Roanoke, VA 24019  
Phone: 800-622-7711  
Fax: 540-265-0724  
www.occfiber.com



MATERIAL  
CATEGORY: THERMOPLASTIC  
COLOR SPEC: SEE OCC  
DRAWING# 100004

DRAWN BY	D.A.HOLBERT	DATE	7/30/01
CHECKED BY	R.B.SMITH	DATE	12/30/01
ENGINEER	J.YANIK	DATE	7/30/01
APPROVED	H.JOHNSON	DATE	4/20/10
PREVIOUS DWG			
NEXT DWG			

DWG TITLE  
BEZEL KIT, F SNAP-IN  
ADAPTER & BEZEL

CRITICAL DIMENSION CODE  
ⓕ = FUNCTION  
Ⓜ = MATING  
Ⓐ = AUDIT

FINISH  
MOLD TECH 11020 ETCH  
FACE REMAINDER AS  
MACHINED

SIZE	DWG NO.	REV
A	C101563	A

FILENAME	SCALE	SHEET
C101563A.DWG	NONE	1 OF 1