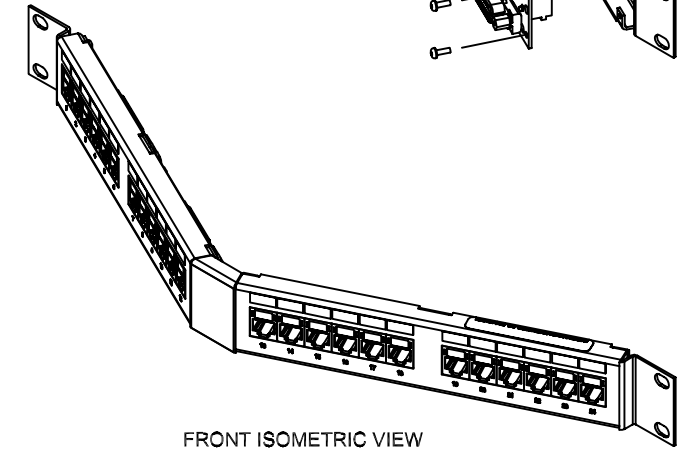
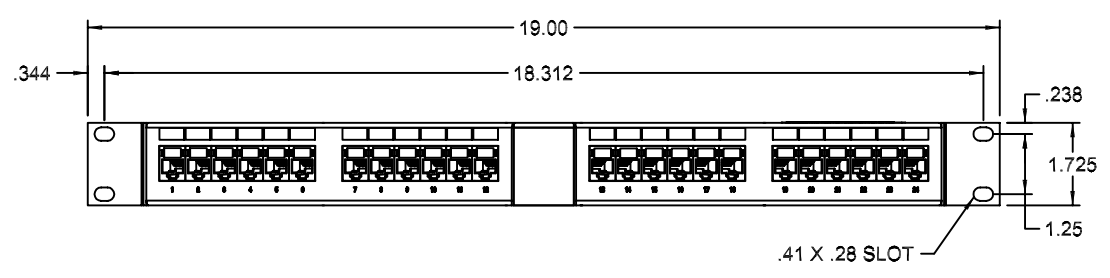
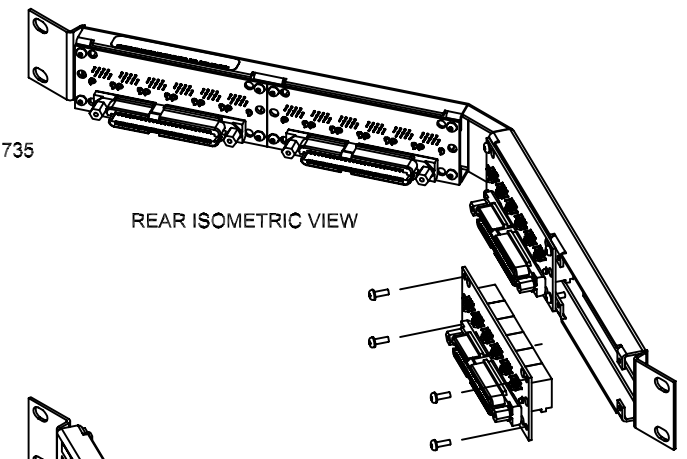
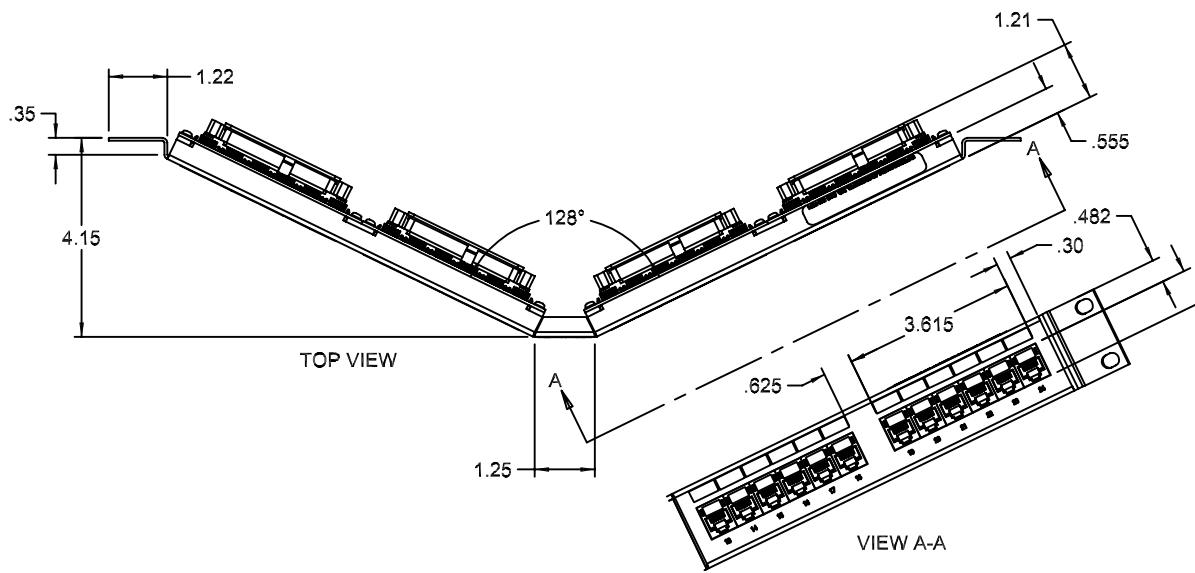
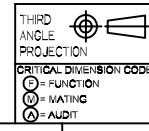



REVISION HISTORY				
REV	SHIT	DESCRIPTION	DATE	CHKD BY
A	ALL	RELEASE NEW	9/11/07	NEW JY



NOTES: UNLESS OTHERWISE SPECIFIED.
1. DIMENSIONS ARE IN ENGLISH MEASUREMENTS.

UNCONTROLLED COPY



ACC2488/25V01	ASSY, PATCH PANEL, ANGLED, 24 PORT, TELCO, 1U		
OCC PART NUMBER	DESCRIPTION		
UNLESS OTHERWISE SPECIFIED DIMENSIONS ARE IN INCHES TOLERANCES: FRACTIONS ±1/32 ANGLES ±1/2° 3 PLACE DECIMALS ±.005" 2 PLACE DECIMALS ±.01"		THIS DRAWING AND THE DESIGN SHOWN ARE THE PROPERTY OF OPTICAL CABLE CORPORATION AND MAY NOT BE USED AS THE BASIS FOR MANUFACTURE OR SALE WITHOUT SPECIFIC WRITTEN PERMISSION OF OPTICAL CABLE CORPORATION.	
MATERIAL: PANEL: CRS, 16 GA. (.0598" THK REFERENCE)		DRAWN: E.WETLI	DATE: 9/11/07
FINISH: POWDER COAT BLACK PER SPEC# 10002501		CHECKED: J.YANIK	DATE: 9/18/07
		ENGINEER: J.MALTAIS	DATE: 9/11/07
		APPROVED: J.HOWE	DATE: 9/18/07
		PREVIOUS DWG	
		NEXT DWG	
		FILENAME: C108488A.DFT	SCALE: NONE
		SHEET: 1 OF 1	
		 6280 Concourse Drive Roanoke, VA 24019 Phone: 800-622-7711 Fax: 540-266-0724 www.occfiber.com	
		DWG TITLE: PATCH PANEL ASSEMBLY, ANGLED, 24 PORT, TELCO, 1U SIZE: C DWG NO.: C108486 REV: A	