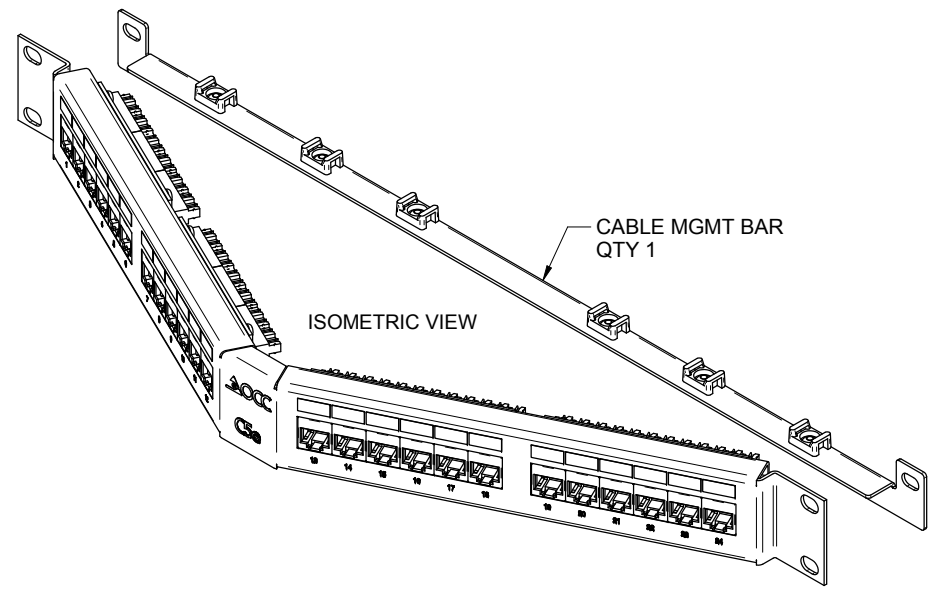


APPLICATIONS:
 - ANALOG VOICE / VOIP / IPTV
 - 10 / 100 / 1000 BASE-T ETHERNET
 - IEEE 802.3 AF / AT PoE

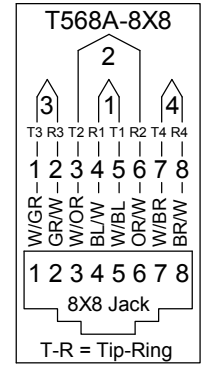
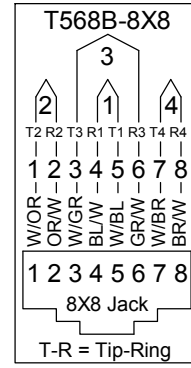
SPECIFICATIONS:
 - ANSI / TIA-568-C.2 CATEGORY 5e
 - ANSI / TIA-968-A
 - IEC 60603-7

MATERIALS:
 - PANEL: BLACK POWDER COAT, 16 AWG STEEL
 - CABLE MANAGEMENT BARS, BLACK POWDER COAT, 16 AWG STEEL

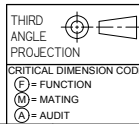
- KIT INCLUDES THE FOLLOWING:
 - (6) 3.6 " NYLON CABLE TIES
 - (6) BLACK 12-24 PAN HEAD SCREWS
 - (1) CABLE MANAGEMENT BAR




8 POSITION MODULAR JACK



"OPTICAL CABLE CORPORATION (OCC) RESERVES THE RIGHT TO REVISE ANY AND ALL DESIGN SPECIFICATIONS."
UNCONTROLLED COPY



ACC2488/110A5E-R		PATCH PANEL, 24 PORT, ANGLED, CAT 5e, 1U	
OCC PART NO.		DESCRIPTION	
UNLESS OTHERWISE SPECIFIED DIMENSIONS ARE IN INCHES. TOLERANCES: FRACTIONS ±1/32 ANGLES ±1/2° 3 PLACE DECIMALS ±.005" 2 PLACE DECIMALS ±.01"		THIS DRAWING AND THE DESIGN SHOWN ARE THE PROPERTY OF OPTICAL CABLE CORPORATION AND MAY NOT BE USED AS THE BASIS FOR MANUFACTURE OR SALE WITHOUT SPECIFIC WRITTEN PERMISSION OF OPTICAL CABLE CORPORATION.	
MATERIAL SEE NOTES	CHECKED S.PORACH DATE 5/21/13	 33 Superior Way Swainsona, NC 28778 Phone: 828-298-2260 Fax: 828-298-2487 www.occfiber.com	
FINISH SEE NOTES	ENGINEER J.YANIK DATE 5/20/13		
	APPROVED J.CALLOWAY DATE 1/20/15		
CRITICAL DIMENSION CODE	PREVIOUS DWG	SIZE C	DWG NO. C111490
(F) = FUNCTION	FILENAME C111490A.DFT	SCALE: NONE	SHEET 1 OF 1
(M) = MATING			REV A
(A) = AUDIT			