

7 6 5 4 3 2 1

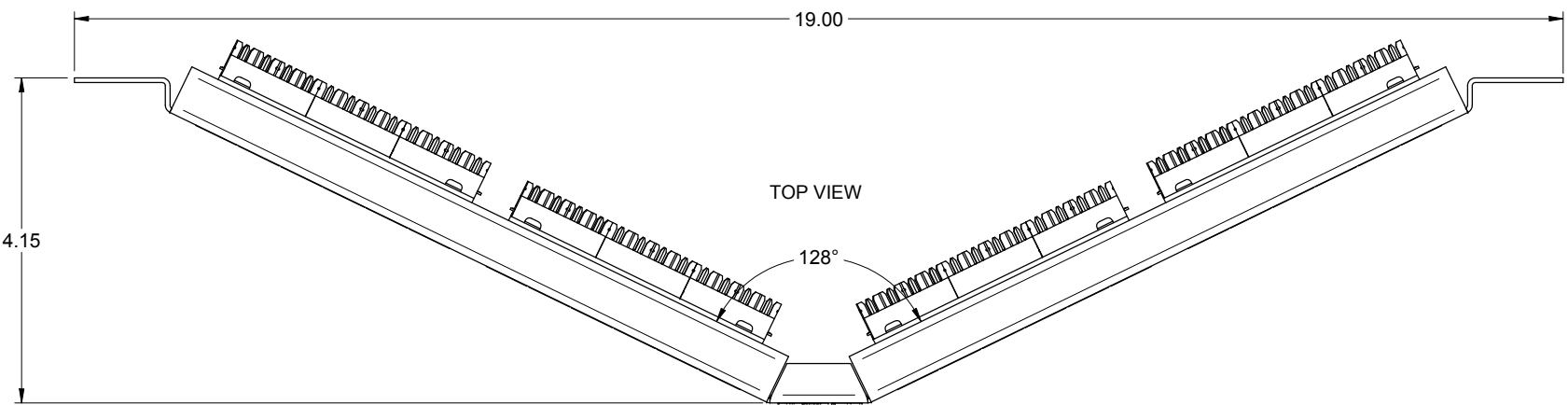
E

D

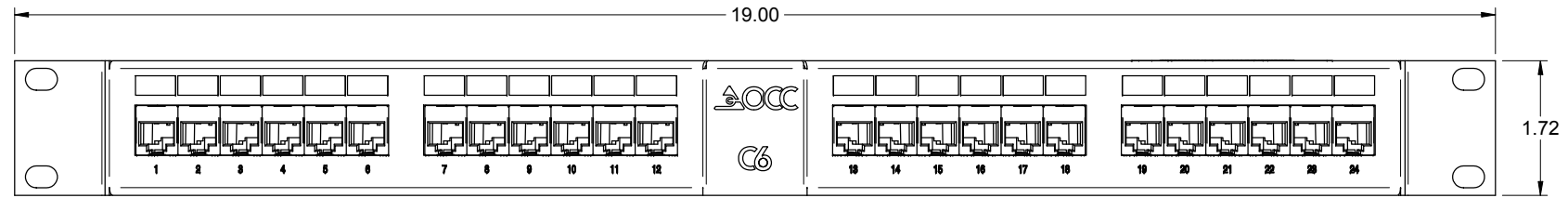
C

B

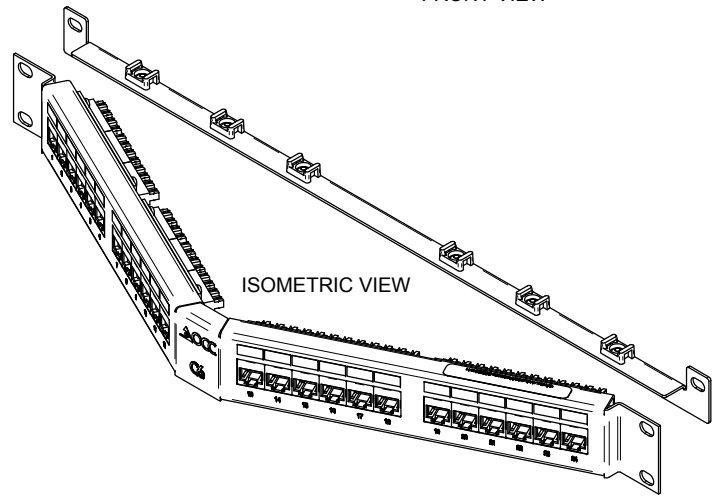
A



TOP VIEW



FRONT VIEW



ISOMETRIC VIEW

APPLICATIONS:

- ANALOG VOICE / VOIP / IPTV
- 10 / 100 / 1000 BASE-T ETHERNET
- IEEE 802.3 AF / AT PoE

SPECIFICATIONS:

- ANSI / TIA-568-C.2 CATEGORY 6
- ANSI / TIA-968-A
- IEC 60603-7

MATERIALS:

- PANEL: BLACK POWDER COAT, 16 AWG STEEL
- CABLE MANAGEMENT BARS, BLACK POWDER COAT, 16 AWG STEEL

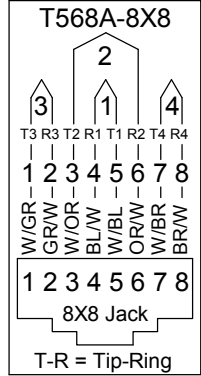
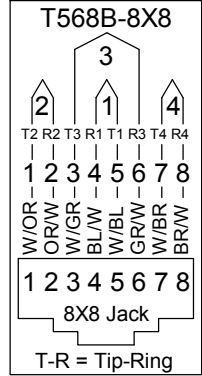
- KIT INCLUDES THE FOLLOWING:

- (6) 3.6 " NYLON CABLE TIES
- (6) BLACK 12-24 PAN HEAD SCREWS
- (1) CABLE MANAGEMENT BAR

"OPTICAL CABLE CORPORATION (OCC) RESERVES THE RIGHT TO REVISE ANY AND ALL DESIGN SPECIFICATIONS."

UNCONTROLLED COPY

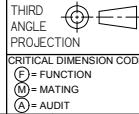
8 POSITION MODULAR JACK



T-R = Tip-Ring

T-R = Tip-Ring

ACC2488/110SIX	PATCH PANEL, ANGLED, 24 PORT, CAT6, 6PK MOD, 1U		
OCC PART NO.	DESCRIPTION		
UNLESS OTHERWISE SPECIFIED, DIMENSIONS ARE IN INCHES. TOLERANCES: FRACTIONS ±1/32" ANGLES ±1/2° 3 PLACE DECIMALS ±.005" 2 PLACE DECIMALS ±.01"	THIS DRAWING AND THE DESIGN SHOWN ARE THE PROPERTY OF OPTICAL CABLE CORPORATION AND MAY NOT BE USED AS THE BASIS FOR MANUFACTURE OR SALE WITHOUT SPECIFIC WRITTEN PERMISSION OF OPTICAL CABLE CORPORATION.		
MATERIAL SEE NOTES	CHECKED R.B.SMITH DATE 9/13/07	DATE 9/13/07	DWG TITLE PATCH PANEL, ANGLED, 24 PORT, CAT 6, 1U
FINISH SEE NOTES	ENGINEER J.YANIK DATE 9/13/07	DATE 1/20/15	SIZE DWG NO. C108490
APPROVED J.CALLOWAY	PREVIOUS DWG	FILENAME C108490B.dft	SCALE: NONE SHEET 1 OF 1
REV B	REV B		



CRITICAL DIMENSION CODE
 (F) = FUNCTION
 (M) = MATING
 (A) = AUDIT

7 6 5 4 3 2 1