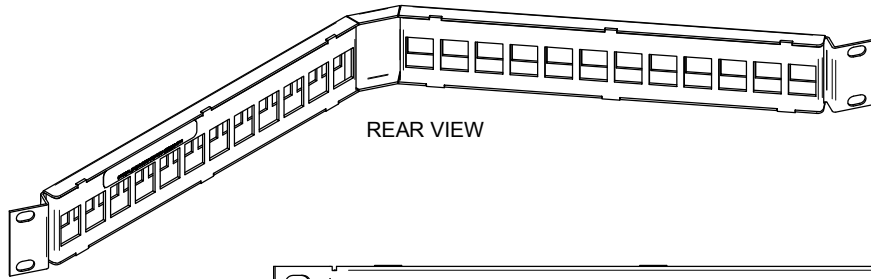
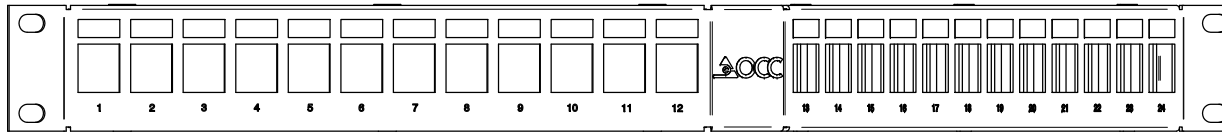


REVISION HISTORY				
REV/SHT	DESCRIPTION	DATE	ECN	CHECKED
A	ALL RELEASE NEW	9/18/09	NEW	JY
B	ADDED BACK TO PANEL; CHGD: ASSY PART NO. (WAS ACC24K1U)	10/21/11	-	JH

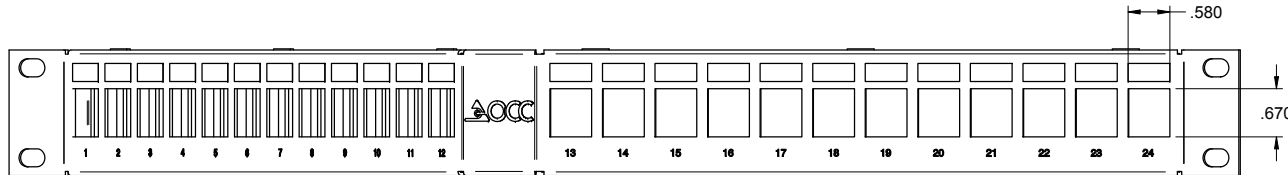
"OPTICAL CABLE CORPORATION (OCC)
RESERVES THE RIGHT TO REVISE ANY
PATCH PANEL SPECIFICATIONS."



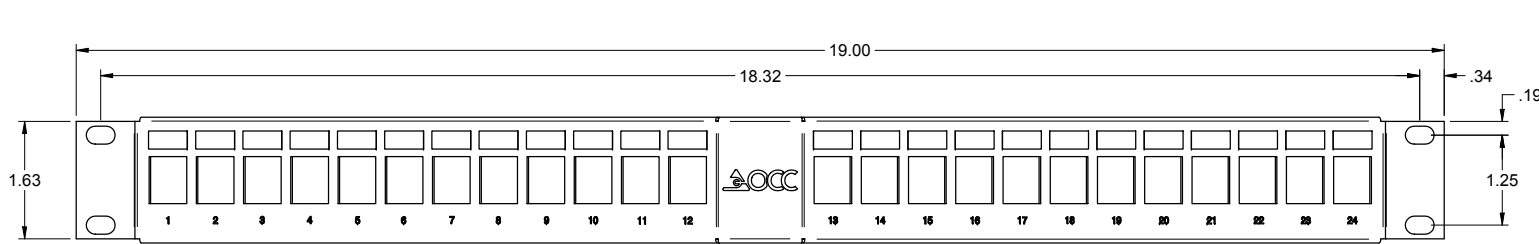
REAR VIEW



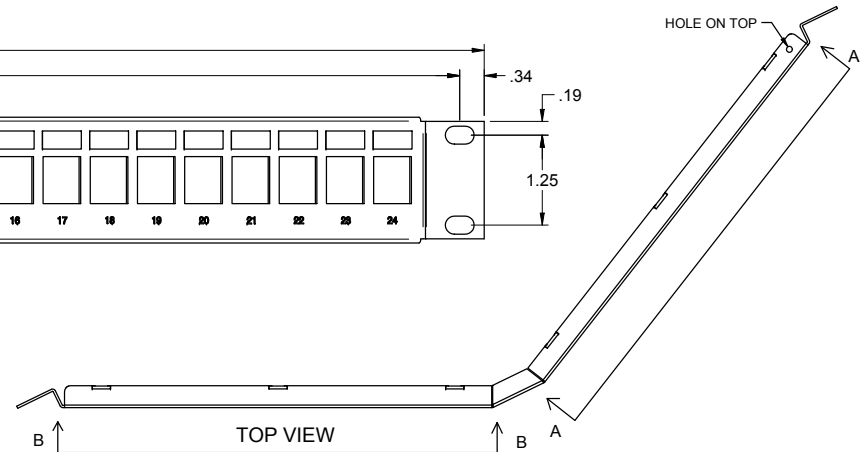
VIEW B-B



VIEW A-A



LOOKING DIRECTLY AT FRONT VIEW



TOP VIEW

SPECIFICATIONS:

FEATURES/MATERIALS:

- CONSTRUCTED OF POWDER COATED COLD ROLLED STEEL.

UNCONTROLLED COPY

ACC24K	PATCH PANEL, ANGLED, 24P, KMJ MTG, OCC
OCC PART NO.	DESCRIPTION
UNLESS OTHERWISE SPECIFIED, THIS DRAWING AND THE DESIGN SHOWN ARE THE PROPERTY OF OPTICAL CABLE CORPORATION AND MAY NOT BE USED AS THE BASIS FOR MANUFACTURE OR SALE WITHOUT SPECIFIC WRITTEN PERMISSION OF OPTICAL CABLE CORPORATION.	33 Superior Way Swainson, NC 28778 Phone: 828-298-2260 Fax: 828-298-2487 www.occfiber.com
MATERIAL: SEE BILL OF MATERIAL	DRAWN: D.A.HOLBERT DATE: 9/18/09
FINISH: SEE NOTES	CHECKED: R.B.SMITH DATE: 9/18/09
	ENGINEER: J.YANIK DATE: 9/18/09
	APPROVED: J.HOWE DATE: 10/21/11
	PREVIOUS DWG: _____
	NEXT DWG: _____
	DATE: 10/21/11
	FILENAME: C109911B.DFT
	DWG TITLE: PATCH PANEL, 1U, 24 PORT, KMJ MTG, ANGLED
	SIZE: C DWG NO. C109911
	SCALE: NONE SHEET 1 OF 1
	REV B

THIRD ANGLE PROJECTION	
CRITICAL DIMENSION CODE	
(F) = FUNCTION	
(M) = MATING	
(A) = AUDIT	