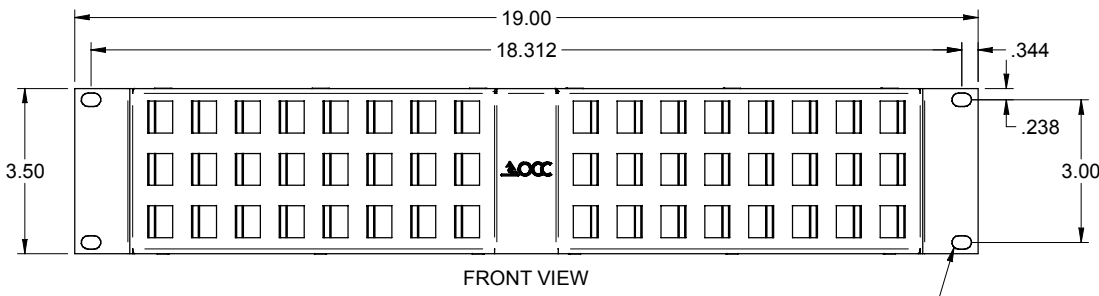
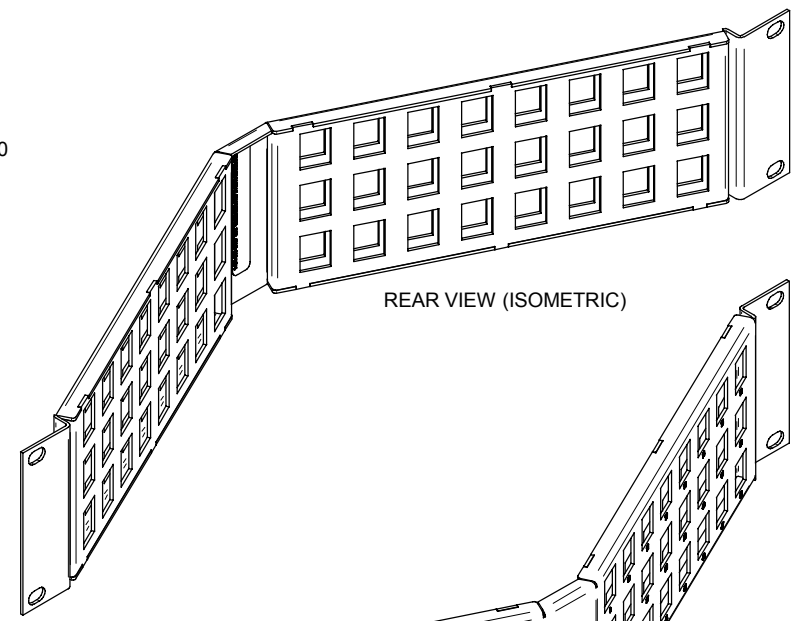
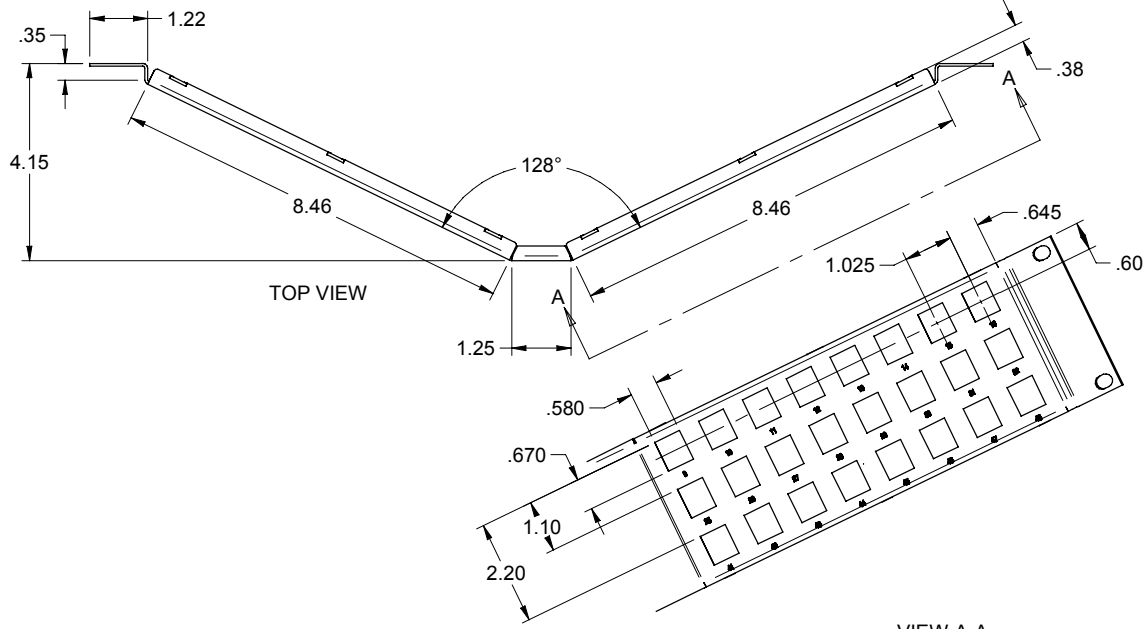


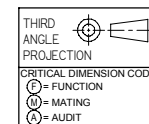
REVISION HISTORY				
REV/SHT	DESCRIPTION	DATE	ECN	CHECKED
A	ALL RELEASE NEW	9/18/07	NEW	JY




.41 X .28 SLOT

NOTES: UNLESS OTHERWISE SPECIFIED.  
1. DIMENSIONS ARE IN ENGLISH MEASUREMENTS.

**UNCONTROLLED COPY**



ACC48K	ASSY, PATCH PANEL, ANGLED, 48 PORT, KMJ, 2U			
OCC PART NUMBER	DESCRIPTION			
UNLESS OTHERWISE SPECIFIED DIMENSIONS ARE IN INCHES. TOLERANCES: FRACTIONS ±1/32" ANGLES ±1/2" 3 PLACE DECIMALS ±.005" 2 PLACE DECIMALS ±.01"		THIS DRAWING AND THE DESIGN SHOWN ARE THE PROPERTY OF OPTICAL CABLE CORPORATION AND MAY NOT BE USED AS THE BASIS FOR MANUFACTURE OR SALE WITHOUT SPECIFIC WRITTEN PERMISSION OF OPTICAL CABLE CORPORATION.		 33 Superior Way Swannanoa, NC 28778 Phone: 828-298-2260 Fax: 828-298-2487 www.occfiber.com
MATERIAL CRS, 16 GA. (.0598" THK REFERENCE)	FINISH POWDER COAT BLACK PER SMP SPEC# 10002501	DRAWN E.WETLI DATE 9/18/07 CHECKED J.YANIK DATE 9/18/07 ENGINEER J.MALTAIS DATE 9/18/07 APPROVED J.HOWE DATE 9/18/07	DWG TITLE <b>PATCH PANEL ASSEMBLY,          ANGLED, 48 PORT, KMJ, 2U</b>	DWG NO. <b>C108512</b>
PREVIOUS DWG	FILENAME C108512A.DFT	SCALE: NONE	SHEET 1 OF 1	REV A