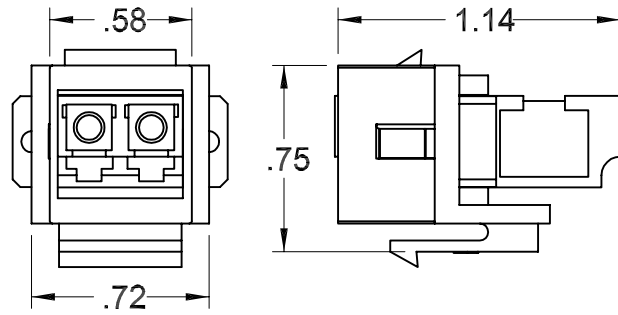
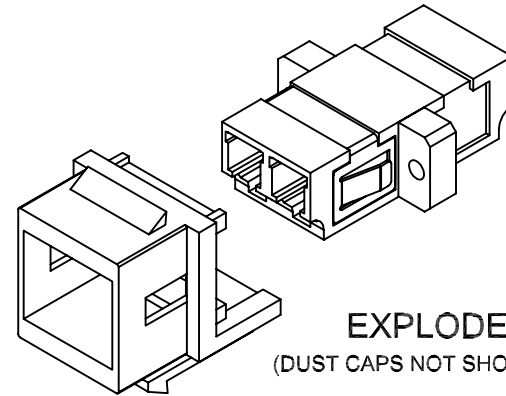


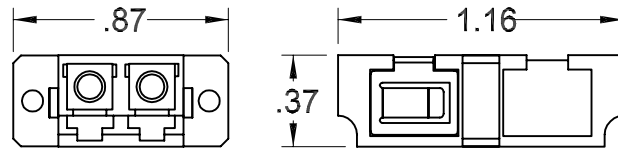
REVISION HISTORY					
REV	SHT	DESCRIPTION	DATE	ECN	CHECKED
A	ALL	RELEASE NEW	2/23/05	NEW	JS
B	-	ADDED: ISOMETRIC AND EXPLODED VIEWS	5/3/05	-	JH



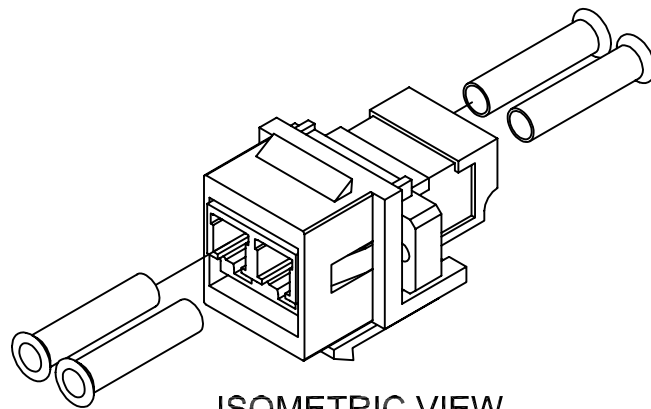
ASSEMBLY VIEW



EXPLODED VIEW
(DUST CAPS NOT SHOWN, FOR CLARITY)



LC CONNECTOR



ISOMETRIC VIEW

AKDLCM12	ASSY, ADAPTER, KMJ, DUAL LC, MM, BRIGHT WHITE, COMMERCIAL
AKDLCM11	ASSY, ADAPTER, KMJ, DUAL LC, MM, BROWN, COMMERCIAL
AKDLCM10	ASSY, ADAPTER, KMJ, DUAL LC, MM, PURPLE, COMMERCIAL
AKDLCM09	ASSY, ADAPTER, KMJ, DUAL LC, MM, YELLOW, COMMERCIAL
AKDLCM08	ASSY, ADAPTER, KMJ, DUAL LC, MM, ORANGE, COMMERCIAL
AKDLCM07	ASSY, ADAPTER, KMJ, DUAL LC, MM, WHITE, COMMERCIAL
AKDLCM06	ASSY, ADAPTER, KMJ, DUAL LC, MM, GREY, COMMERCIAL
AKDLCM05	ASSY, ADAPTER, KMJ, DUAL LC, MM, BLUE, COMMERCIAL
AKDLCM04	ASSY, ADAPTER, KMJ, DUAL LC, MM, GREEN, COMMERCIAL
AKDLCM03	ASSY, ADAPTER, KMJ, DUAL LC, MM, RED, COMMERCIAL
AKDLCM02	ASSY, ADAPTER, KMJ, DUAL LC, MM, BLACK, COMMERCIAL
AKDLCM01	ASSY, ADAPTER, KMJ, DUAL LC, MM, OFFICE WHITE, COMMERCIAL
AKDLCM00	ASSY, ADAPTER, KMJ, DUAL LC, MM, ELEC. IVORY, COMMERCIAL
OCC PART NO.	DESCRIPTION

UNCONTROLLED COPY

UNLESS OTHERWISE SPECIFIED
DIMENSIONS ARE IN INCHES.
TOLERANCES: FRACTIONS $\pm 1/32"$
 ANGLES $\pm 1/2^\circ$
 3 PLACE DECIMALS $\pm .005"$
 2 PLACE DECIMALS $\pm .01"$

THIS DRAWING AND THE DESIGN SHOWN ARE THE
PROPERTY OF OPTICAL CABLE CORPORATION AND
MAY NOT BE USED AS THE BASIS FOR MANU-
FACTURE OR SALE WITHOUT SPECIFIC WRITTEN
PERMISSION OF OPTICAL CABLE CORPORATION.



5290 Concourse Drive
Roanoke, VA 24019
Phone: 800-622-7711
Fax: 540-265-0724
www.occfiber.com



THIRD
ANGLE
PROJECTION

CRITICAL DIMENSION CODE

(F) = FUNCTION
(M) = MATING
(A) = AUDIT

MATERIAL
SEE BILL OF MATERIAL

FINISH
SEE BILL OF MATERIAL

DRAWN	E.WETLI	DATE	2/23/05
CHECKED	J.SHERRILL	DATE	2/25/05
ENGINEER	J.YANIK	DATE	2/23/05
APPROVED	J.HOWE	DATE	5/3/05
PREVIOUS DWG			
NEXT DWG		FILENAME	C107107B.DFT

DWG TITLE
**CUSTOMER DRAWING,
ASSY, ADAPTER, KMJ,
DUAL LC, MM, COMMERCIAL**

SIZE	DWG NO.	REV
B	C107107	B
SCALE:	NONE	SHEET
		1 OF 1

UNCONTROLLED COPY