

THIRD ANGLE PROJECTION

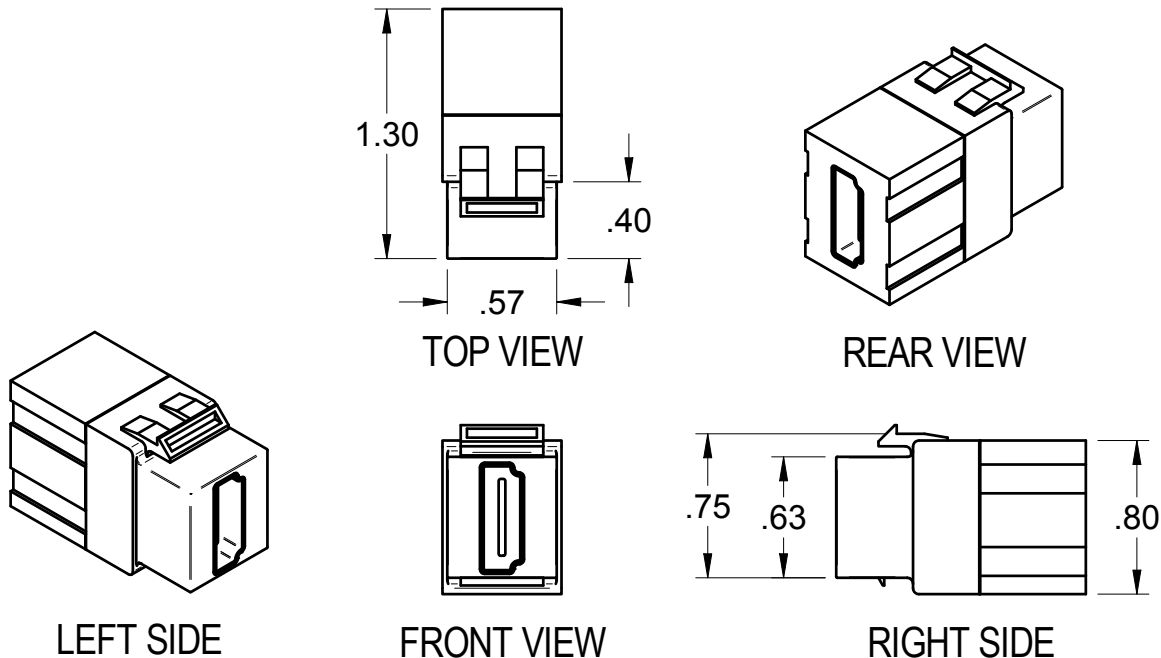
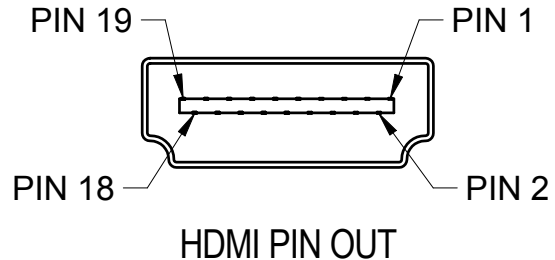
CRITICAL DIMENSION CODE

(F) = FUNCTION
(M) = MATING
(A) = AUDIT

REVISION HISTORY					
REV	SHT	DESCRIPTION	DATE	ECN	CHECKED
A	ALL	RELEASE NEW	11/1/12	NEW	JH

NOTES: UNLESS OTHERWISE SPECIFIED.

- SUPPORTS: v1.2, v1.3, v1.4a, 720p, 1080p, HDCP
- MECHANICAL CHARACTERISTICS:
OPERATING TEMP: -10°C ~ 60°C
STORAGE: -40°C ~ 70°C
- ELECTRICAL CHARACTERISTICS:
DIFFERENTIAL IMPEDANCE: 100Ω ± 10Ω
CONTACT RESISTANCE: 2Ω MAXIMUM
INSULATION RESISTANCE: 10MΩ MINIMUM
WITHSTAND VOLTAGE: 0.1 SECOND 200VDC
HIGH POTENTIAL (HIPOT): 200VAC / 1.0mA



AKHDMI12	COUPLER, HDMI, KMJ MTG, BRIGHT WHITE, OCC
OCC PART NO.	DESCRIPTION

UNLESS OTHERWISE SPECIFIED
DIMENSIONS ARE IN INCHES.
TOLERANCES: FRACTIONS ±1/32"
ANGLES ±1/2°
3 PLACE DECIMALS ±.005"
2 PLACE DECIMALS ±.01"

MATERIAL
HOUSING:
HIGH IMPACT UL-94v-0
ABS

FINISH
CONTACTS:
15 MICRO INCH GOLD
PLATING

THIS DRAWING AND THE DESIGN SHOWN ARE THE PROPERTY OF OPTICAL CABLE CORPORATION AND MAY NOT BE USED AS THE BASIS FOR MANUFACTURE OR SALE WITHOUT SPECIFIC WRITTEN PERMISSION OF OPTICAL CABLE CORPORATION.

DRAWN	D.A.HOLBERT	DATE	11/1/12
CHECKED	J.HOWE	DATE	11/5/12
ENGINEER	J.YANIK	DATE	11/1/12
APPROVED	S.PORACH	DATE	11/5/12
PREVIOUS DWG			
NEXT DWG			

FILENAME C111388A.dft

33 Superior Way
Swannanoa, NC 28778
Phone: 828-298-2260
Fax: 828-298-2487
www.occfiber.com

DWG TITLE
COUPLER, KMJ MTG, HDMI FEMALE - FEMALE, OCC

SIZE A	DWG NO. C111388	REV A
SCALE: NONE	SHEET 1 OF 1	