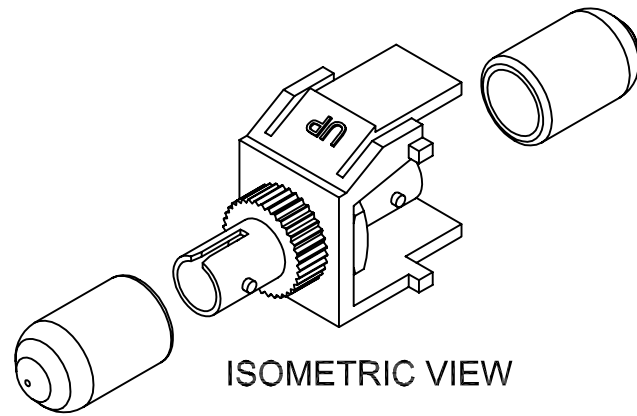
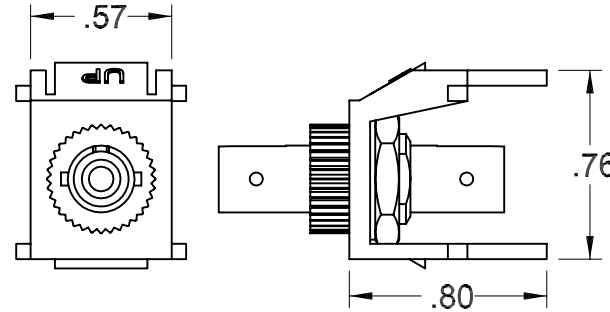


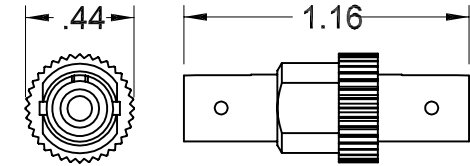
REVISION HISTORY					
REV	SHT	DESCRIPTION	DATE	ECN	CHECKED
A	ALL	RELEASE NEW	2/23/05	NEW	JS
B	-	ADDED: ISOMETRIC AND EXPLODED VIEWS	5/3/05	-	JH



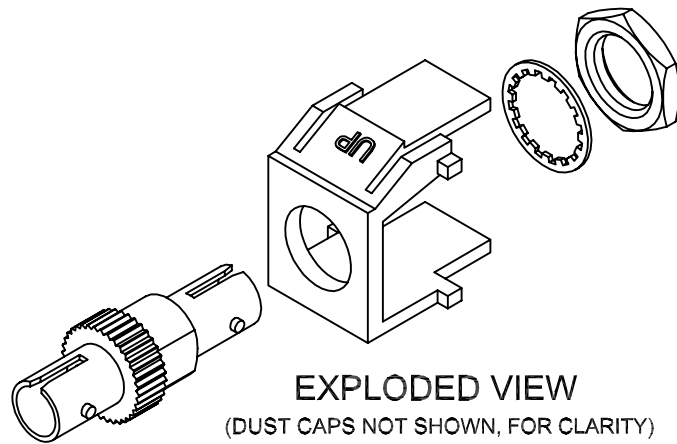
ISOMETRIC VIEW



ASSEMBLY VIEW



ST CONNECTOR



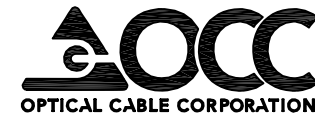
EXPLODED VIEW  
(DUST CAPS NOT SHOWN, FOR CLARITY)

AKSTM12	ASSY, ADAPTER, KMJ, ST, MM, BRIGHT WHITE, COMMERCIAL
AKSTM11	ASSY, ADAPTER, KMJ, ST, MM, BROWN, COMMERCIAL
AKSTM10	ASSY, ADAPTER, KMJ, ST, MM, PURPLE, COMMERCIAL
AKSTM09	ASSY, ADAPTER, KMJ, ST, MM, YELLOW, COMMERCIAL
AKSTM08	ASSY, ADAPTER, KMJ, ST, MM, ORANGE, COMMERCIAL
AKSTM07	ASSY, ADAPTER, KMJ, ST, MM, WHITE, COMMERCIAL
AKSTM06	ASSY, ADAPTER, KMJ, ST, MM, GREY, COMMERCIAL
AKSTM05	ASSY, ADAPTER, KMJ, ST, MM, BLUE, COMMERCIAL
AKSTM04	ASSY, ADAPTER, KMJ, ST, MM, GREEN, COMMERCIAL
AKSTM03	ASSY, ADAPTER, KMJ, ST, MM, RED, COMMERCIAL
AKSTM02	ASSY, ADAPTER, KMJ, ST, MM, BLACK, COMMERCIAL
AKSTM01	ASSY, ADAPTER, KMJ, ST, MM, OFFICE WHITE, COMMERCIAL
AKSTM00	ASSY, ADAPTER, KMJ, ST, MM, ELEC. IVORY, COMMERCIAL
SMP PART NO.	DESCRIPTION

UNCONTROLLED COPY

UNLESS OTHERWISE SPECIFIED  
DIMENSIONS ARE IN INCHES.  
TOLERANCES: FRACTIONS  $\pm 1/32"$   
ANGLES  $\pm 1/2^\circ$   
3 PLACE DECIMALS  $\pm .005"$   
2 PLACE DECIMALS  $\pm .01"$

THIS DRAWING AND THE DESIGN SHOWN ARE THE  
PROPERTY OF OPTICAL CABLE CORPORATION AND  
MAY NOT BE USED AS THE BASIS FOR MANU-  
FACTURE OR SALE WITHOUT SPECIFIC WRITTEN  
PERMISSION OF OPTICAL CABLE CORPORATION.



5290 Concourse Drive  
Roanoke, VA 24019  
Phone: 800-622-7711  
Fax: 540-265-0724  
www.occfiber.com



THIRD  
ANGLE  
PROJECTION

CRITICAL DIMENSION CODE  
(F) = FUNCTION  
(M) = MATING  
(A) = AUDIT

MATERIAL  
SEE BILL OF MATERIAL

FINISH  
SEE BILL OF MATERIAL

DRAWN	E.WETLI	DATE	2/23/05
CHECKED	J.SHERRILL	DATE	2/25/05
ENGINEER	J.YANIK	DATE	2/23/05
APPROVED	J.HOWE	DATE	5/3/05
PREVIOUS DWG			
NEXT DWG		FILENAME	C107106B.DFT

DWG TITLE  
**CUSTOMER DRAWING,  
ASSY, ADAPTER, KMJ,  
ST, MM, COMMERCIAL**

SIZE	DWG NO.	REV
B	C107106	B
SCALE:	NONE	SHEET
		1 OF 1

UNCONTROLLED COPY