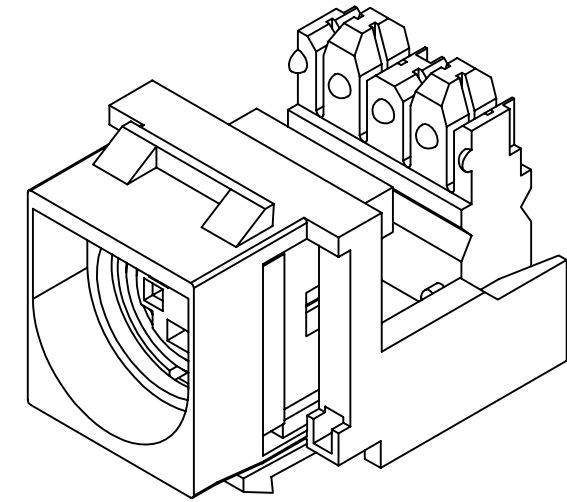
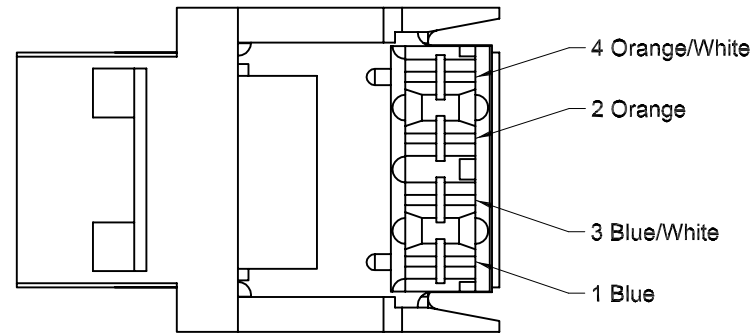
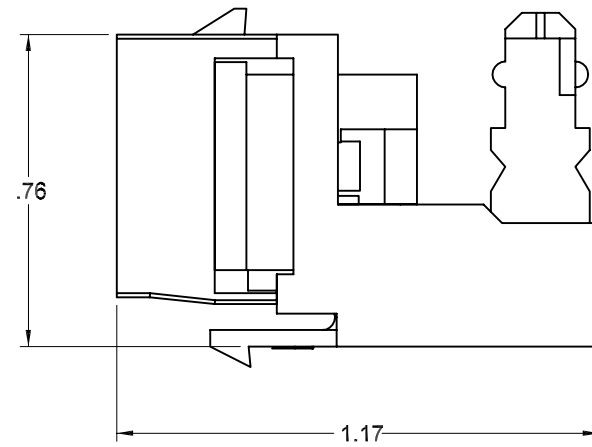
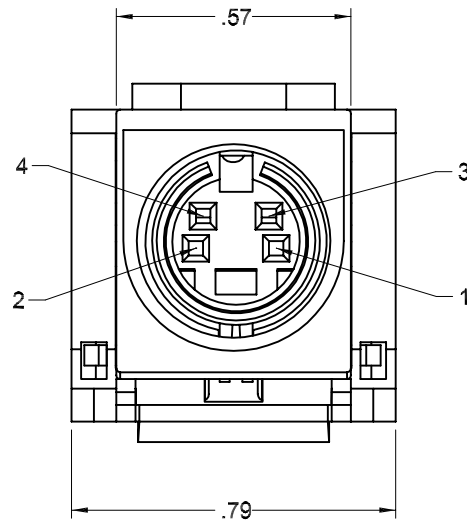


REV		REVISION HISTORY			
SHT	DESCRIPTION	DATE	ECN	CHECKED	
A	ALL	RELEASE NEW	3/23/05	NEW	JH



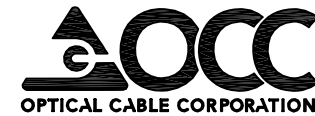
ISOMETRIC VIEW



ORTHOGRAPHIC VIEWS

UNCONTROLLED COPY

AKSVHS12	BRIGHT WHITE
AKSVHS01	OFF. WHITE
AKSVHS00	ELEC. IVORY
OCC PART NO.	COLOR



5290 Concourse Drive
Roanoke, VA 24019
Phone: 800-622-7711
Fax: 540-265-0724
www.occfiber.com

DWG TITLE **ASSEMBLY, ADAPTER,
SUPER VHS, COMMERCIAL**

SIZE **B** DWG NO. **C107108** REV **A**

SCALE: NONE SHEET 1 OF 1

PIN	NAME	DESCRIPTION
4	C	COLOR (Chrominance)
3	Y	INTENSITY (Luminance)
2	GND	GROUND C
1	GND	GROUND Y



CRITICAL DIMENSION CODE
 (F) = FUNCTION
 (M) = MATING
 (A) = AUDIT

UNLESS OTHERWISE SPECIFIED
DIMENSIONS ARE IN INCHES
TOLERANCES:
FRACTIONS ±1/32"
ANGLES ±1/2°
3 PLACE DECIMALS ±.005"
2 PLACE DECIMALS ±.01"

MATERIAL
UL LISTED RATING 94V-0
HSG: FLAME RETARDANT
THERMOPLASTIC
CONN: VARIOUS
FINISH
SEE BILL OF MATERIAL

THIS DRAWING AND THE DESIGN SHOWN ARE THE
PROPERTY OF OPTICAL CABLE CORPORATION AND
MAY NOT BE USED AS THE BASIS FOR MANU-
FACTURE OR SALE WITHOUT SPECIFIC WRITTEN
PERMISSION OF OPTICAL CABLE CORPORATION.

DRAWN	E.WETLI	DATE	3/23/05
CHECKED	J.MALTAIS	DATE	3/23/05
ENGINEER	J.YANIK	DATE	3/23/05
APPROVED	J.HOWE	DATE	3/23/05
PREVIOUS DWG			
NEXT DWG		FILENAME	C107108A.DFT