

SPECIFICATIONS

FEATURES/MATERIALS:

- LOCKING CUSTOM COLOR/ICON BEZELS PROVIDE DISTINCTIVE JACK IDENTIFICATION.
- CUSTOM BEZELS ARE AVAILABLE IN A WIDE VARIETY OF COLORS AND ICONS.
- BEZELS ARE CONSTRUCTED OF HIGH IMPACT SELF EXTINGUISHING, RATED 94V-0

TO ORDER OPTIONAL COLOR BEZELS, REPLACE "XX" WITH COLOR CODE.
EXAMPLE: BE0602 = BLACK

BEZEL COLOR CHART

00 ELECTRICAL IVORY	06 DATA GRAY
01 OFFICE WHITE	07 WHITE
02 BLACK	08 ORANGE
03 RED	09 YELLOW
04 GREEN	10 PURPLE
05 BLUE	11 BROWN

PROPOSED EIA/TIA 606 COLOR CODED IDENTIFICATION SYSTEM

TERMINATION TYPE	COLOR	SUPERIOR COLOR CODE
DEMARCATON POINT	ORANGE	08
NETWORK COMMUNICATIONS	GREEN	04
COMMON EQUIPMENT	PURPLE	10
FIRST LEVEL BACKBONE	WHITE	07
SECOND LEVEL BACKBONE	GRAY	06
STATION	BLUE	05
INTERBUILDING BACKBONE	BROWN	11
MISCELLANEOUS	YELLOW	09
KEY TELEPHONE SYSTEMS	RED	03



Made in the USA

UNCONTROLLED COPY

UNLESS OTHERWISE SPECIFIED DIMENSIONS ARE IN INCHES
TOLERANCES:
FRACTIONS $\pm 1/32$ "
ANGLES $\pm 1/2$ "
3 PLACE DECIMALS $\pm .005$ "
2 PLACE DECIMALS $\pm .01$ "

THIS DRAWING AND THE DESIGN SHOWN ARE THE PROPERTY OF OPTICAL CABLE CORPORATION AND MAY NOT BE USED AS THE BASIS FOR MANUFACTURE OR SALE WITHOUT SPECIFIC WRITTEN PERMISSION OF OPTICAL CABLE CORPORATION.

DRAWN BY D.A.HOLBERT DATE 8/24/01

CHECKED BY R.B.SMITH DATE 11/15/01

ENGINEER J.YANIK DATE 8/24/01

APPROVED H.JOHNSON DATE 2/22/10

PREVIOUS DWG

NEXT DWG

FILENAME C104932A.DWG

DWG TITLE

BEZEL KIT,
6 POS/8 POS

SIZE
A

DWG NO.

C104932

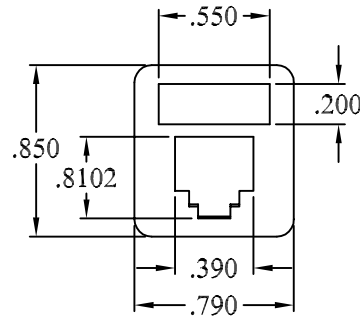
REV
A

SCALE NONE

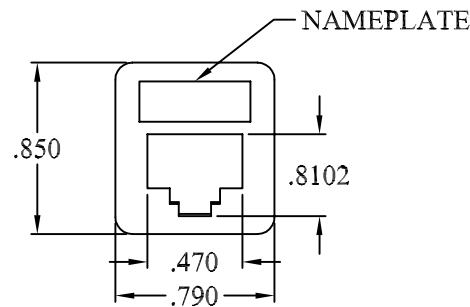
SHEET 1 OF 1

REVISIONS

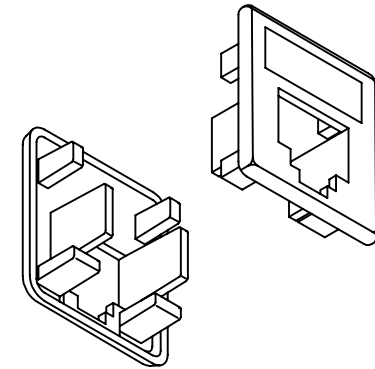
REV	SHT	DESCRIPTION	DATE	ECN	CHECKED
A	ALL	RELEASE NEW	8/24/01	NEW	RBS



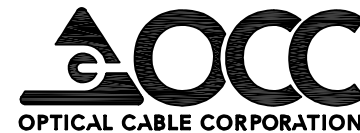
6 POSITION



8 POSITION



BEB08XX	BEZEL, BULK, 8 POS, "COLOR"
BEB06XX	BEZEL, BULK, 6 POS, "COLOR"
BE08XX	BEZEL, 8 POS, "COLOR"
BE06XX	BEZEL, 6 POS, "COLOR"
OCC PART NO.	DESCRIPTION



5290 Concourse Drive
Roanoke, VA 24019
Phone: 800-622-7711
Fax: 540-265-0724
www.occfiber.com