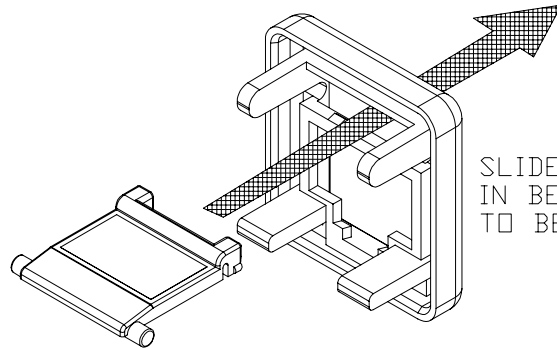


NOTES: UNLESS OTHERWISE SPECIFIED.

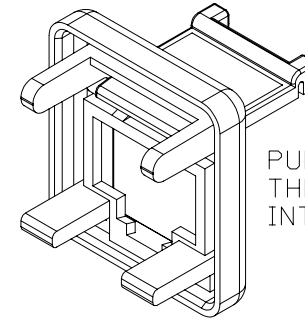
1. "XX" IN PART NO. DENOTES COLOR:

- 00 = ELEC. IVORY
- 01 = OFFICE WHITE
- 02 = BLACK
- 03 = RED
- 04 = GREEN
- 05 = BLUE
- 06 = GREY
- 07 = WHITE
- 08 = ORANGE
- 09 = YELLOW
- 10 = PURPLE
- 11 = BROWN
- 12 = BRIGHT WHITE
- 13 = CLEAR
- 14 = PINK

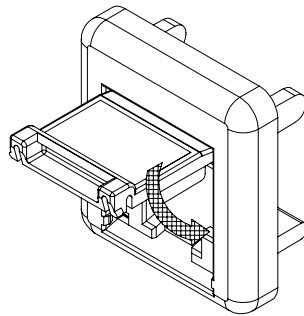
REVISIONS				
REV	SHT	DESCRIPTION	DATE	CHECKED
A	ALL	RELEASE NEW	3/4/05	RBS



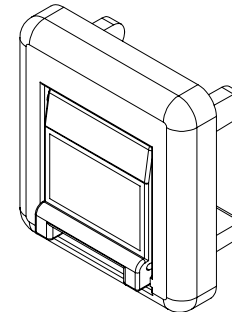
SLIDE DOOR THROUGH SLOT IN BEZEL. DOOR MAY HAVE TO BE TILTED SLIGHTLY.



PULL DOOR UNTIL THE DOOR SNAPS INTO HINGE SOCKET.



ROTATE DOOR DOWNWARD UNTIL IT SNAPS IN THE SHUT POSITION AS SHOWN.



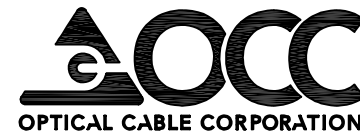
BEB08SXX	BEZEL, 8 POS, "COLOR", HINGED, BULK PACK
BE08SXX	BEZEL, 8 POS, "COLOR", HINGED
OCC PART NO.	DESCRIPTION



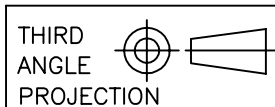
### UNCONTROLLED COPY

UNLESS OTHERWISE SPECIFIED DIMENSIONS ARE IN INCHES  
 TOLERANCES:  
 FRACTIONS  $\pm 1/32$ "  
 ANGLES  $\pm 1/2$ "  
 3 PLACE DECIMALS  $\pm .005$ "  
 2 PLACE DECIMALS  $\pm .01$ "

THIS DRAWING AND THE DESIGN SHOWN ARE THE PROPERTY OF OPTICAL CABLE CORPORATION AND MAY NOT BE USED AS THE BASIS FOR MANUFACTURE OR SALE WITHOUT SPECIFIC WRITTEN PERMISSION OF OPTICAL CABLE CORPORATION.



5290 Concourse Drive  
 Roanoke, VA 24019  
 Phone: 800-622-7711  
 Fax: 540-265-0724  
[www.occfiber.com](http://www.occfiber.com)



THIRD ANGLE PROJECTION

MATERIAL CATEGORY: THERMOPLASTIC  
 COLOR SPECIFICATION  
 OCC DRAWING# 100004

DRAWN BY	D.A.HOLBERT	DATE	3/4/05
CHECKED BY	R.B.SMITH	DATE	3/4/05
ENGINEER	J.YANIK	DATE	3/4/05
APPROVED	H.JOHNSON	DATE	2/22/10
PREVIOUS DWG			
NEXT DWG			

DWG TITLE		BEZEL, 8 POSITION, WITH HINGED DOOR	
SIZE	A	DWG NO.	C106921
SCALE	NONE	SHEET	1 OF 1
REV	A		

CRITICAL DIMENSION CODE  
 (F) = FUNCTION  
 (M) = MATING  
 (A) = AUDIT

FINISH  
 SEE NOTES

FILENAME C106921A.DWG