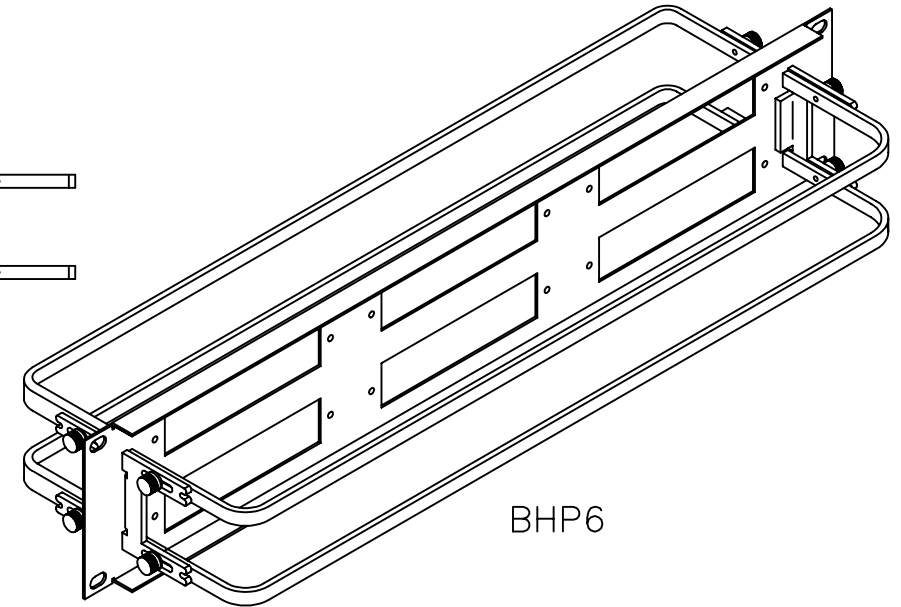
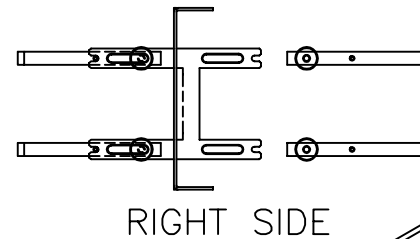
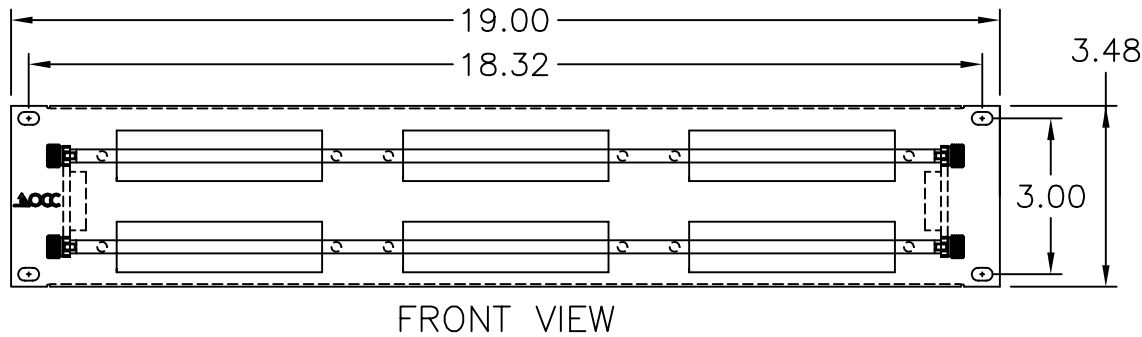
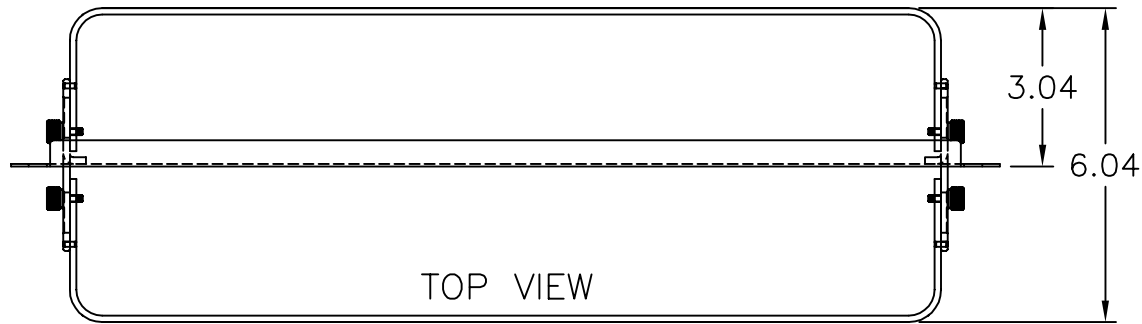


REV		SHT	DESCRIPTION	DATE	ECN	CHECKED
A	ALL	RELEASE	NEW	8/15/01	NEW	RBS



SPECIFICATIONS

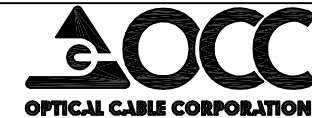
FEATURES & BENEFITS:

- OPTICAL CABLE CORPORATIONS, FIBEROPTICX (BHP SERIES) FIBER OPTIC MOUNTING CROSS CONNECT PATCH PANELS PROVIDE FIBER MANAGEMENT, CONNECTIVITY AND DISTRIBUTION FOR 6 TO 144 FIBERS. ACCOMMODATES ALL CROSS CONNECT FUNCTIONS (SPlicing, TERMINATION, AND INTERCONNECTION) FOR OUTSIDE PLANT, BACKBONE, AND BUILDING CABLES.
- ACCOMMODATES SNAP-IN ADAPTER PLATES. BHP PANEL PORT COUNT IS BASED ON 6 PORT ADAPTER PLATES FOR TERMINATE AND CABLE MANAGEMENT. (EXAMPLE: BHP6 ACCOMMODATES SIX 6 PORT ADAPTER PLATES). WELL SUITED TO MULTIMEDIA/ MULTI-APPLICATION CABLING ENVIRONMENTS. ADAPTER PLATES ORDERED SEPARATELY.
- PANEL IS RUGGED 16-GAUGE STEEL CONSTRUCTION WITH A DURABLE POWDER COAT FINISH, COLOR BLACK.
- STRAIN AND BEND PROTECTION BARS OFFER ENHANCED CABLE MANAGEMENT. TIE-WRAPs PROVIDED TO CONTROL CABLING ALONG BAR. BAR IS REMOVABLE FOR INSTALLATION CONVENIENCE.
- STANDARD PATCH PANEL MOUNTING TO FIT 19" AND 23" RACKS MOUNTING HARDWARE INCLUDED WITH BHP PANELS.
- ALL PLASTIC COMPONENTS ARE HIGH IMPACT SELF-EXTINGUISHING, UL LISTED RATING 94V-0.

UNCONTROLLED COPY

UNLESS OTHERWISE SPECIFIED DIMENSIONS ARE IN INCHES.
TOLERANCES: FRACTIONS $\pm 1/32"$
ANGLES $\pm 1/2^\circ$
3 PLACE DECIMALS $\pm .005"$
2 PLACE DECIMALS $\pm .01"$

THIS DRAWING AND THE DESIGN SHOWN ARE THE PROPERTY OF OPTICAL CABLE CORPORATION AND MAY NOT BE USED AS THE BASIS FOR MANUFACTURE OR SALE WITHOUT SPECIFIC WRITTEN PERMISSION OF OPTICAL CABLE CORPORATION.



5290 Concourse Drive
Roanoke, VA 24019
Phone: 800-622-7711
Fax: 540-265-0724
www.occfiber.com



CRITICAL DIMENSION CODE
ⓕ = FUNCTION
Ⓜ = MATING
Ⓐ = AUDIT

MATERIAL
PANEL: CRS 16 GAGE
RAIL: .125 X .250 BAR

FINISH
PAINTED BLACK (756)
BAKED VINYL ORGANOSOL
PER SPEC WL-2338

DRAWN BY	D.A.HOLBERT	DATE	8/15/01
CHECKED BY	R.B.SMITH	DATE	11/30/01
ENGINEER	J.YANIK	DATE	8/15/01
APPROVED	S.VAUGHN	DATE	11/30/01
PREVIOUS DWG			
NEXT DWG			

DWG TITLE		RACK MOUNT CABINETS, PATCH PANEL ASSEMBLY, BHP6	
SIZE	DWG NO.	REV	
B	C100678	A	
SCALE	NONE	SHEET	1 OF 1
FILENAME	C100678A.DWG		