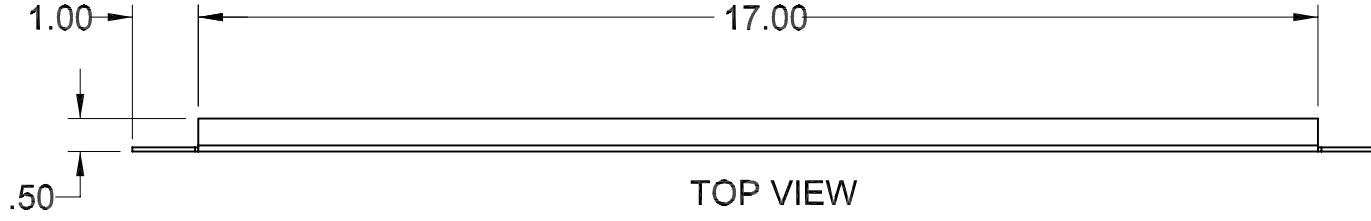
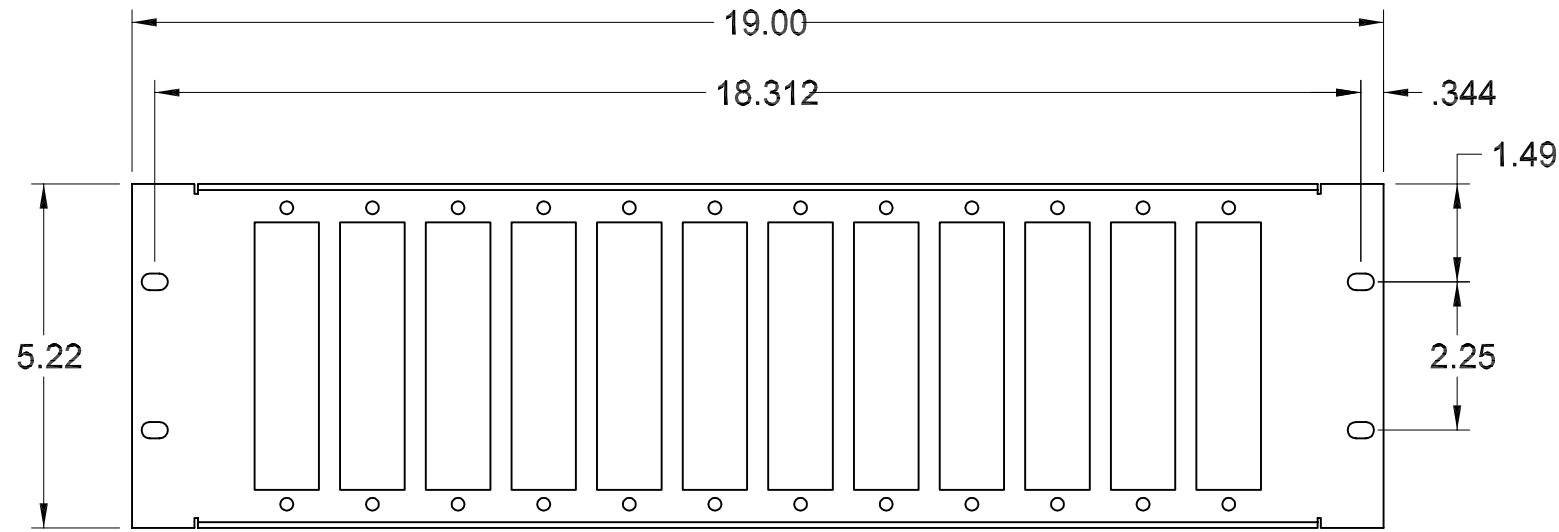


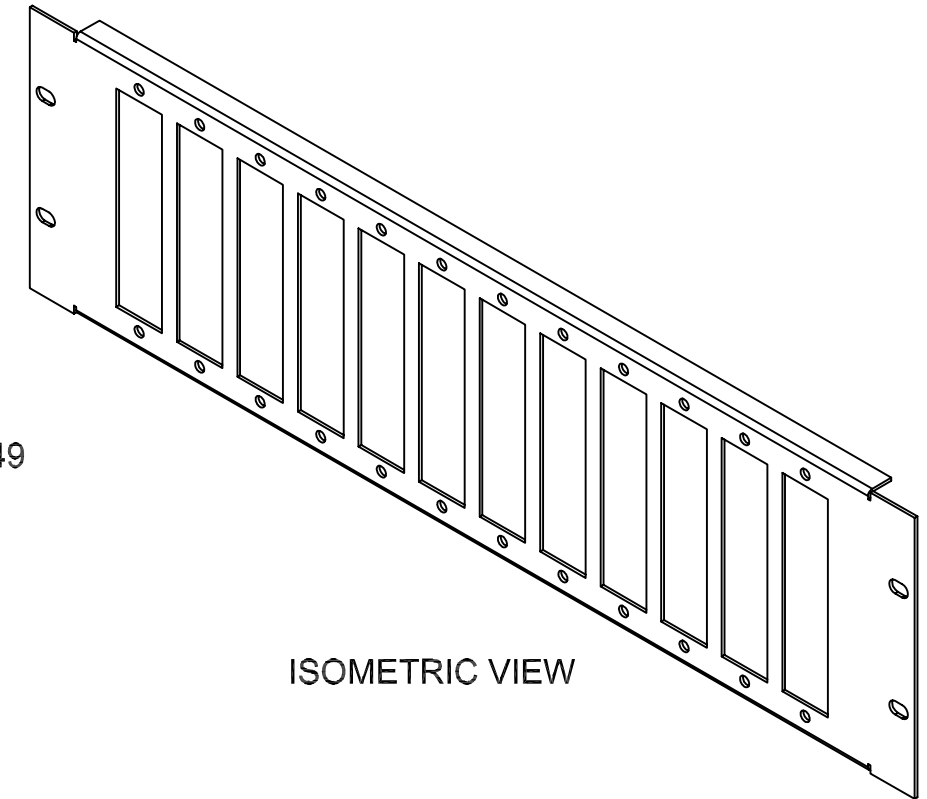
REV		REVISION HISTORY			DATE	ECN	CHECKED
SHT		DESCRIPTION					
A	ALL	RELEASE NEW			4/14/04	NEW	JY



TOP VIEW



FRONT VIEW



ISOMETRIC VIEW

UNCONTROLLED COPY

THIRD ANGLE PROJECTION

CRITICAL DIMENSION CODE
 (F) = FUNCTION
 (M) = MATING
 (A) = AUDIT

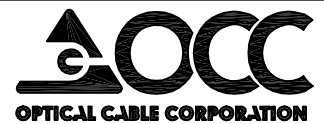
UNLESS OTHERWISE SPECIFIED DIMENSIONS ARE IN INCHES
 TOLERANCES:
 FRACTIONS ±1/32"
 ANGLES ±1/2°
 3 PLACE DECIMALS ±.005"
 2 PLACE DECIMALS ±.01"

MATERIAL
 16 GA CRS
 (.0598 THK REFERENCE)

FINISH
 POWDER COAT: BLACK
 PER SPEC# 10002501

THIS DRAWING AND THE DESIGN SHOWN ARE THE PROPERTY OF OPTICAL CABLE CORPORATION AND MAY NOT BE USED AS THE BASIS FOR MANUFACTURE OR SALE WITHOUT SPECIFIC WRITTEN PERMISSION OF OPTICAL CABLE CORPORATION.

DRAWN	R.B.SMITH	DATE	4/14/04
CHECKED	J.YANIK	DATE	4/14/04
ENGINEER	R.B.SMITH	DATE	4/14/04
APPROVED	J.HOWE	DATE	4/14/04
PREVIOUS DWG			
NEXT DWG			

BHP72		PATCH PANEL, 72 PORT F-O MOUNTING		
OCC PART NO.		DESCRIPTION		
		 5290 Concourse Drive Roanoke, VA 24019 Phone: 800-622-7711 Fax: 540-265-0724 www.occfiber.com		
		DWG TITLE PATCH PANEL, 72 PORT FIBER MOUNTING		
SIZE B	DWG NO. C106677	REV A		
SCALE: NONE	SHEET 1 OF 1			