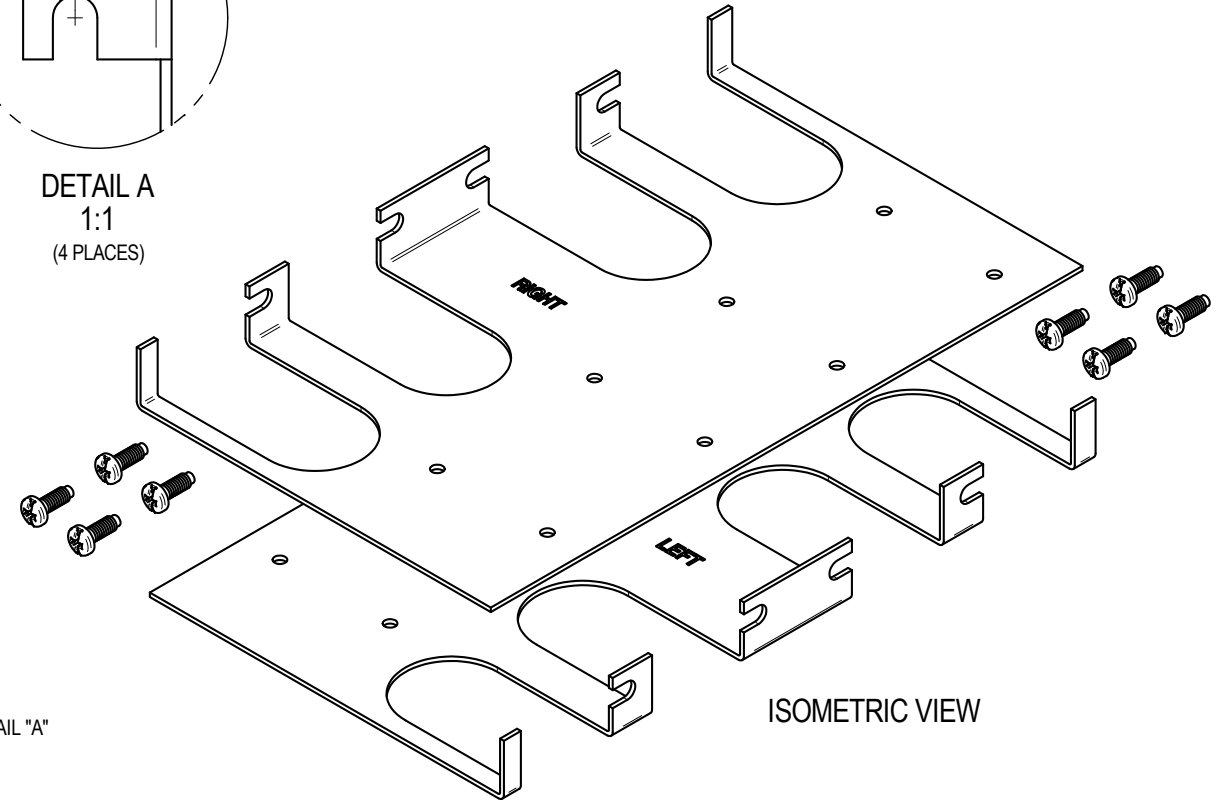
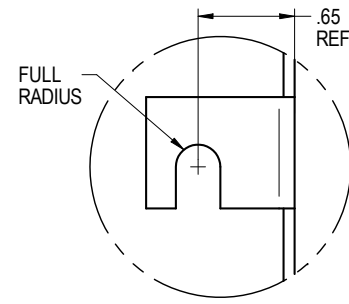
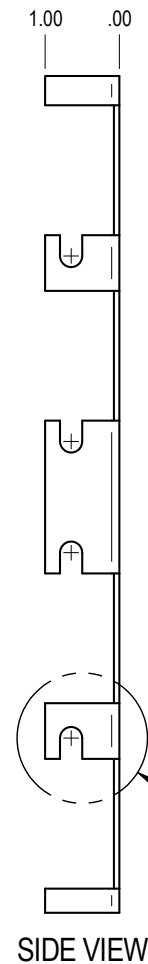
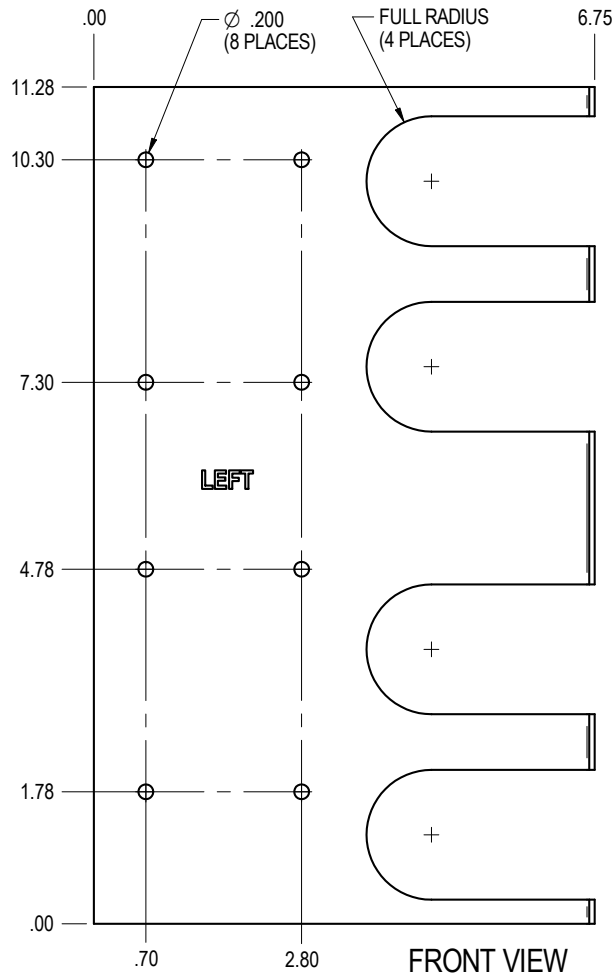


REVISION HISTORY				
REV	SHT	DESCRIPTION	DATE	CHECKED
A	ALL	RELEASE NEW	5/8/09	NEW RBS



NOTES: UNLESS OTHERWISE SPECIFIED.

1. DIMENSIONS: RIGHT BRACKET IS THE SAME AS LEFT BRACKET EXCEPT DIMENSIONED IN REVERSE.

2. BKTR144A CONSISTS OF:

- (2) HARDWARE KIT, PANEL, #12, BLACK
- (1) BRACKET, 19" R144, FLUSH, RIGHT, BLACK
- (1) BRACKET, 19" R144, FLUSH, LEFT, BLACK

UNCONTROLLED COPY

BKTR144B	MTG BRACKET KIT, 19" RECESSED, R144, BLACK
OCC PART NO.	DESCRIPTION

UNLESS OTHERWISE SPECIFIED
DIMENSIONS ARE IN INCHES.
TOLERANCES: FRACTIONS ±1/32"
ANGLES ±1/2°
3 PLACE DECIMALS ±.005"
2 PLACE DECIMALS ±.01"

THIS DRAWING AND THE DESIGN SHOWN ARE THE PROPERTY OF OPTICAL CABLE CORPORATION AND MAY NOT BE USED AS THE BASIS FOR MANUFACTURE OR SALE WITHOUT SPECIFIC WRITTEN PERMISSION OF OPTICAL CABLE CORPORATION.



33 Superior Way
Swannanoa, NC 28778
Phone: 828-298-2260
Fax: 828-298-2487
www.occfiber.com

THIRD ANGLE PROJECTION	
CRITICAL DIMENSION CODE	(F) = FUNCTION (M) = MATING (A) = AUDIT

MATERIAL
BRACKETS: CRS 14 Gage
0.0747" THK.
FINISH
POWDER COAT ALMOND PER
OCC DWG# 100025

DRAWN	D.A.HOLBERT	DATE	5/8/09
CHECKED	R.B.SMITH	DATE	6/20/09
ENGINEER	J.YANIK	DATE	5/8/09
APPROVED	J.HOWE	DATE	6/20/09
PREVIOUS DWG			
NEXT DWG			

DWG TITLE		KIT, MOUNTING BRACKET, 19" RACK, RTC144, BLACK	
SIZE	B	DWG NO.	C10964102
REV	A	SCALE:	1:2
SHEET		1 OF 1	
FILENAME	10964102A.dft		